

Product Parts Information



Force 5 Infinity Series Models

FA2i, FA2i-MR, FA2i-E, FA2i-CE, and FA2i-MRCE



Save These Instructions



Form MHD56302
Edition C
July 2016
71452197
© 2016 Ingersoll Rand

Only allow **Ingersoll Rand** trained technicians to perform maintenance on this product. For additional information contact **Ingersoll Rand** factory or nearest Distributor.

For additional supporting documentation refer to Table 1 'Product Information Manuals' on page 2.

Manuals can be downloaded from ingersollrandproducts.com

The use of other than genuine **Ingersoll Rand** replacement parts may result in safety hazards, decreased performance and increased maintenance and will invalidate all warranties.

Original instructions are in English. Other languages are a translation of the original instructions.

Refer all communications to the nearest **Ingersoll Rand** Office or Distributor.

Table 1: Product Information Manuals

Publication	Part/Document Number	Publication	Part/Document Number
Product Safety Information Manual (Utility)	MHD56250	Product Information Manual (Man Rider)	MHD56437
Product Safety Information Manual (Man Rider)	MHD56251	Product Maintenance Information Manual	MHD56303
Product Information Manual (Utility)	MHD56436		

TABLE OF CONTENTS

Description	Page No.	Dwg. Name	Page No.
Parts Ordering Information	3		
Drum, Base and Reduction Gear Assembly Drawing	4	(Dwg. MHP2773)	4
Drum, Base and Reduction Gear Assembly Parts List	5		
Drum and Siderail Parts list	7		
Motor Assembly Drawing	8	(Dwg. MHP0210)	8
Motor Assembly Parts List	9		
Drum Band Brake Assembly Drawing	10	(Dwg. MHP0209)	10
Drum Band Brake Assembly Parts List	11		
Disc Brake Assembly Drawing	12	(Dwg. MHP2786)	12
Disc Brake Assembly Parts List	13		
Control Valve Assembly Drawing and Parts List	14	(Dwg. MHP0203)	14
Limit Switch (Optional) Assembly Drawing	15	(Dwg. MHP2677)	15
Limit Switch (Optional) Assembly Parts List	16		
(-MRCE) Hose Connection Assembly Drawing and Parts List	17	(Dwg. MHP3095)	17
(-MRCE) Hose Connection Assembly Parts List	18		
Pendant Operated Pilot Control Valve (Optional) Assembly Drawing	19	(Dwg. MHP2778)	19
Pendant Operated Pilot Control Valve (Optional) Assembly Parts List	20		
Two Lever Remote Pendant (Optional) Assembly Drawings	21	(Dwgs. MHP2346 and MHP1677)	21
Two Lever Remote Pendant (Optional) Assembly Parts List	22		
Full Flow Remote Control Valve Assembly Drawing and Parts List	23	(Dwg. MHP2698)	23
Drum Locking Pin Assembly Drawing and Parts List	24	(Dwg. MHP2675)	24
Press Roller Assembly Drawing	25	(Dwg. MHP2695)	25
Press Roller Assembly Parts List	26		
Drum Guard Assembly Drawing	27	(Dwg. MHP2676)	27
Drum Guard Assembly Parts List	28		
Air Preparation Assembly Drawing and Parts List	30	(Dwg. MHP2679)	30
Constant Tension Assembly Drawing	31	(Dwg. MHP2028)	31
Constant Tension Assembly Parts List	32		
Labels and Tags Assembly Drawing and Parts List	33	(Dwg. MHP2718)	33
Labels and Tags Assembly Parts List	34		
Overhaul and Additional Kits	34		

PARTS ORDERING INFORMATION

These products are designed and constructed to provide long, trouble-free service. In time it may be necessary to order and install new parts to replace those that have been subjected to wear.

For your convenience and future reference, it is recommended that the following information be recorded.

Model Number _____

Serial Number _____

Date Purchase _____

When ordering replacement parts, please specify the following:

1. Complete model number and serial number as it appears on the data (name) plate.
2. Part number(s) and part description as shown in this manual.
3. Quantity required.

The data (name) plate is located on the product.

NOTICE

- **Continuing improvement and advancement of design may cause changes to this equipment which are not included in this manual. Manuals are periodically revised to incorporate changes. Always check the manual edition number on the front cover for the latest issue.**
- **Sections of this manual may not apply to your product.**
- **The use of other than genuine Ingersoll Rand replacement parts may result in safety hazards, decreased performance and increased maintenance, and will invalidate all warranties.**

■ Return Goods Policy

Ingersoll Rand will not accept any returned goods for warranty or service unless prior arrangements have been made and written authorization has been provided from the location the goods were purchased.

Products that have been modified without **Ingersoll Rand** approval, mishandled or overloaded will not be repaired or replaced under warranty. A printed copy of the warranty that applies to this product is provided inside the back cover of the product information manual or in some cases the parts manual.

■ Disposal



When the life of the product has expired, it is recommended that it be disassembled, degreased and parts separated as to materials so that they may be recycled.

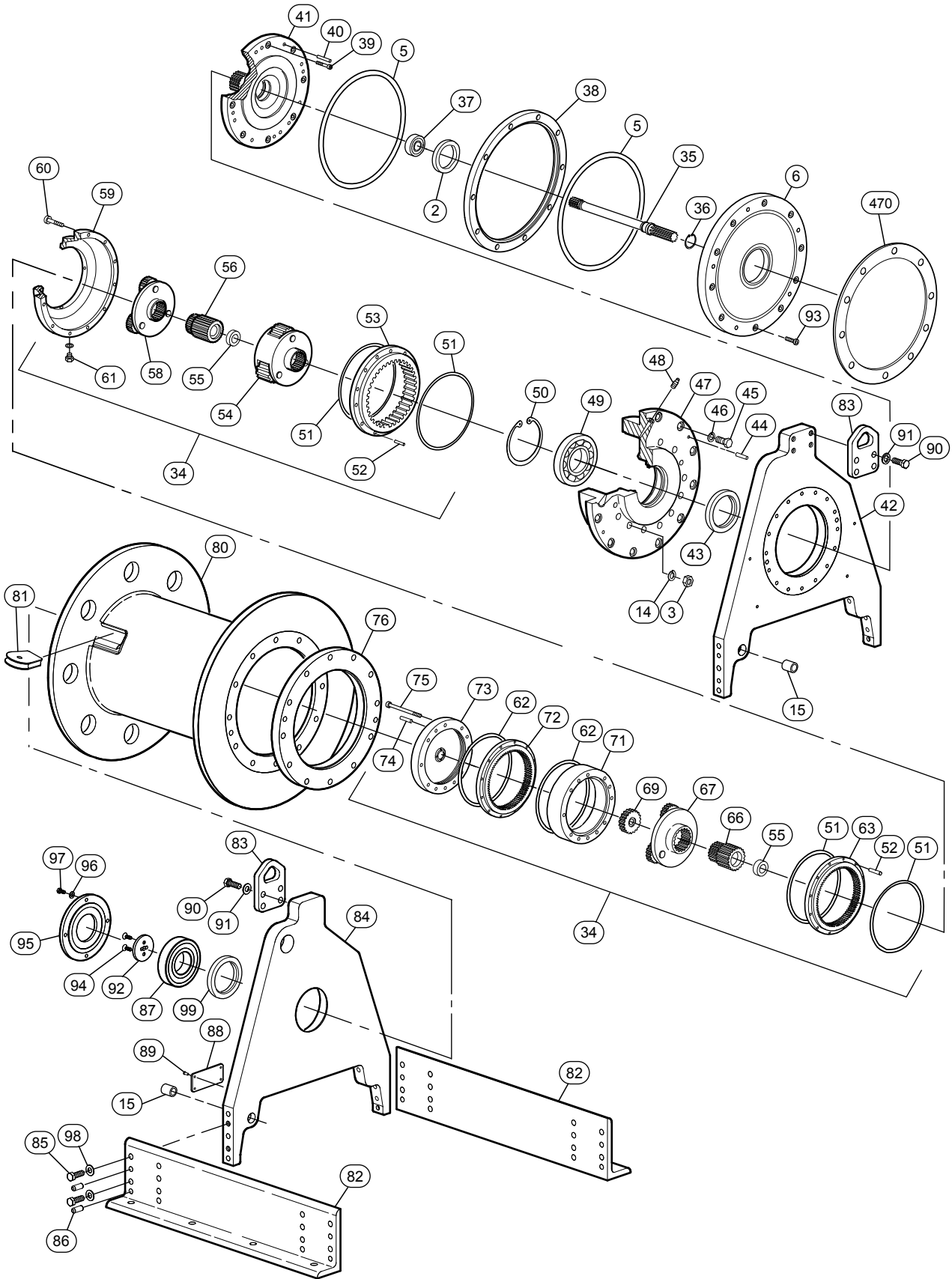
For additional information contact:

Ingersoll Rand
20017 72nd Avenue South
Kent, WA 98032 USA
Phone: (800) 483-4981

or

Ingersoll Rand
Douai Operations
529, Avenue Roger Salengro
59450 Sin Le Noble, France
Phone: (33) 03-27-93-08-08
Fax: (33) 03-27-93-08-00

DRUM, BASE AND REDUCTION GEAR ASSEMBLY DRAWING



(Dwg. MHP2773)

DRUM, BASE AND REDUCTION GEAR ASSEMBLY PARTS LIST

Item No.	Description of Part	Total Qty	Part Number (CCN)	Item No.	Description of Part	Total Qty	Part Number (CCN)
• 2	Oil Seal	1	52228 (71006498)	69	Sun Gear †	1	382-29975
3	Nut	8	43805258	71	Spacer	1	Order item 34
4	Capscrew (qty 4 for 8 inch Drum)	5	51931 (71077283)	72	Ring Gear	1	
• 5	'O' Ring	2	51484 (03898921)	73	Cover	1	
6	Motor Adapter	1	10361 (71076897)	74	Pin	4	
14	Washer	8	71413355	75	Capscrew	8	43805274
15	Bushing	2	71443816	76	Spacer **	1	382-20327 (71197578)
34	Reduction Gear Assembly *	1	71394720	80	Drum †	1	Note 1
35	Drive Shaft	1	382-30648 (71435945)	81	Wire Rope Wedge, 1/2 to 5/8 inch (13 to 16 mm)	1	382-31631 (71461537)
36	Retainer Ring	1	52227 (03899242)		Wire Rope Wedge, 5/8 inch (16 mm) (for grooved drum)	1	382-34868 (45907672)
37	Bearing	1	71458426		Wire Rope Anchor 7/16 inch (13 mm) (for grooved drum)	1	382-35284 (45916004)
38	Ring Spacer (Non-disc Brake)	1	10657 (03899242)		Wire Rope Anchor 5/8 inch (16 mm) (for divided drum)	1	52306 (71043178)
39	Capscrew	10	54610 (71159461)				
40	Pin	2	52683 (71077309)				
41	Drum Shaft †	1	382-30650 (71435960)				
42	Upright, Inboard †	1	382-30515-2 (45870201)	82	Siderail	2	Note 1
• 43	Seal	1	51475 (03898889)	83	Lifting Lug	2	382-30773 (71438915)
44	Pin	2	50984 (71077325)	84	Upright, Outboard (used without drum lock) †	1	382-30516-5 (45870227)
	Pin **	2	71460554		Upright, Outboard (used with drum lock) †	1	382-30516-4 (45870219)
45	Capscrew	12	50973 (03898566)	85	Capscrew	8	50872 (71072227)
	Capscrew **	12	71413132	86	Dowel Pin	8	71266670
46	Washer	12	50181 (03898269)	87	Bearing	1	71435937
47	Gear Carrier † (Note 3)	1	382-32567 (43804657)	88	Data (Name) Plate	1	Note 2
	Gear Carrier † (old style)	1	15451 (71076848)	89	Rivet	4	50915 (03969557)
48	Pipe Plug	2	51467 (71074702)	90	Capscrew	8	71316491
49	Bearing	1	51473 (03898863)	91	Washer	8	52915 (71004436)
50	Retainer Ring	1	51479 (71077333)	92	Shaft Retainer	1	382-30646 (71435879)
51	'O' Ring	4	Order item 34	93	Capscrew (used with disc brake)	5	51488 (71051114)
52	Dowel Pin	4			Capscrew (used without disc brake)	7	71328389
53	Ring Gear	1		94	Capscrew	2	50964 (71224893)
54	Planet Assembly	1		95	End Cover (used without limit switch)	1	382-30832 (71439970)
55	Thrust Bearing	2		96	Lockwasher	4	50200 (03909983)
56	Sun Gear	1		97	Capscrew	4	51780 (71063689)
58	Planet Assembly	1		98	Washer	8	50203 (03969441)
59	Input Housing	1		99	Seal	1	51474 (03898871)
60	Capscrew	8		470	Gasket	1	94-029 (71006456)
61	Plug, Drain / Fill	1					
62	'O' Ring	2					
63	Ring Gear	1					
66	Sun Gear	1					
67	Planet Assembly	1					

- Recommended spare for one winch, 2 years of operation.

Note 1: Refer to Table 'Drum and Siderail Parts List' on page 7.

Note 2: Contact factory, model and serial number are required.

Note 3: Gear carrier modification for serial number A007087 and above, all prior to this serial number use old style.

* Reduction gear assembly (34) includes items 51 - 56, 58 - 60, 62, 63, 66 - 67, 69, 71 - 73 and 75.

** Pin (44), Capscrew (45) and Spacer (76) are only required with 8 inch drum.

† These parts also come in a cold weather version. For winches with a -C1M3 or -C2M3 in the model code, adding -C1M3 (DNV) or C2M3 (ABS) to the end of these part numbers is required to retain winch cold weather certification. C1 and C2 define the cold weather requirements for DNV or ABS. Example: Order Drum item (80) (12 inches long) part number 382-30698-2 as part number 382-30698-C1M3.

DRUM AND SIDERAIL PARTS LIST

Drum (Item 80) for use with Band Brake	Part Number (CCN)	Drum (Item 80) without Band Brake Surface **	Part Number (CCN)
Drum (8 inches long) †	382-30698-1 (71437230)	Drum (12 inches long) †	382-30720-2 (71437610)
Drum (12 inches long) †	382-30698-2 (71437255)	Drum (16 inches long) †	382-30720-3 (71437628)
Drum (16 inches long) †	382-30698-3 (71437263)	Drum (20 inches long) †	382-30720-4 (71456248)
Drum (20 inches long)	382-30698-4 (71437271)	Drum (24 inches long) †	382-30720-5 (71437107)
Drum (24 inches long) †	382-30698-5 (71437073)		
Drum (Item 80) for use with Band Brake and Drum Lock **	Part Number (CCN)	Drum (Item 80) without Band Brake Surface, for use with Drum Lock **	Part Number (CCN)
Drum (8 inches long) † *	382-30698-1L (71453161)	Drum (12 inches long) †	382-30720-2L (71453112)
Drum (12 inches long) †	382-30698-2L (71445712)	Drum (16 inches long) †	382-30720-3L (71453120)
Drum (16 inches long) †	382-30698-3L (71453179)	Drum (20 inches long) †	382-30720-4L (71453138)
Drum (20 inches long) †	382-30698-4L (71453187)	Drum (24 inches long) †	382-30720-5L (71453146)
Drum (20 inches long) †	382-30698-5L (71445720)		
Siderail (Item 82) for use with Band Brake	Part Number (CCN)	Siderail (Item 82) without Band Brake length **	Part Number (CCN)
with 8 inch Drum †	382-31436 (71458004)	with 12 inch Drum †	382-31435-2
with 12 inch Drum †	382-30624-2 (71435531)	with 16 inch Drum †	382-31435-3
with 16 inch Drum †	382-30624-3 (71437776)	with 20 inch Drum †	382-31435-4
with 20 inch Drum †	382-30624-4 (71437784)	with 24 inch Drum †	382-31435-5
with 24 inch Drum †	382-30624-5 (71437131)		

Grooved Drum Parts List

Drum (Item 80) for use with Band Brake	Part Number (CCN)	
	5/8" Grooving	1/2" Grooving
Drum (8 inches long) † *	382-30730-1 (71452767)	382-30742-1 (71452825)
Drum (12 inches long) †	382-30730-2 (71452775)	382-30742-2 (71452833)
Drum (16 inches long) †	382-30730-3 (71452783)	382-30742-3 (71452841)
Drum (20 inches long) †	382-30730-4 (71452791)	382-30742-4 (71452858)
Drum (24 inches long) †	382-30730-5 (71438287)	382-30742-5 (71438352)
Drum (Item 80) for use without Band Brake **	Part Number (CCN)	
	5/8" Grooving	1/2" Grooving
Drum (8 inches long) *	-	-
Drum (12 inches long) †	382-30745-2 (71452650)	382-30749-2 (71452718)
Drum (16 inches long) †	382-30745-3 (71452668)	382-30749-3 (71452726)
Drum (20 inches long) †	382-30745-4 (71452676)	382-30749-4 (71452734)
Drum (24 inches long) †	382-30745-5 (71438410)	382-30749-5 (71438477)

* 8 inch drum only available with band brake surface.

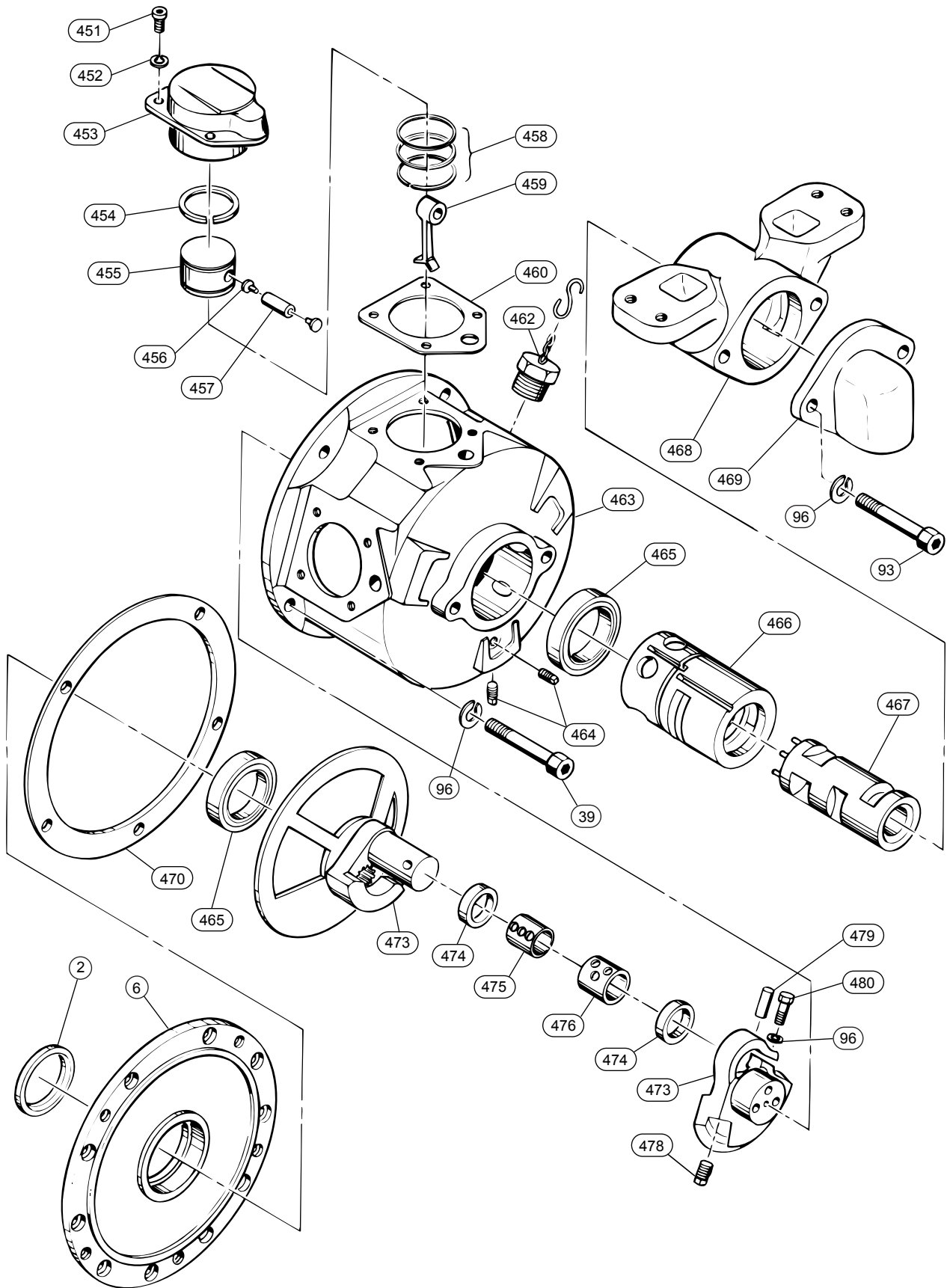
** Man Rider winches are only available with a band brake drum and are required to have two brakes. CE winch models must have two automatic brakes.

† These parts also come in a cold weather version. For winches with a -C1M3 or -C2M3 in the model code, adding -C1M3 (DNV) or C2M3 (ABS) to the end of these part numbers is required to retain winch cold weather certification. C1 and C2 define the cold weather requirements for DNV or ABS. Example: Order Drum item (80) (12 inches long) part number 382-30698-2 as part number 382-30698-C1M3.

Drum, Base and Reduction Gear Assembly Kit List:

Item No.	Description of Part	Total Qty	Part Number (CCN)
1001	Service Kit: Outboard Bearing and Seal (included in Overhaul Kits) (includes with and without disc brake components) (include items: 2, 4, 5, 36, 37, 43, 85, 86, 87, 93, 94, 96, 97, 98, 99)	1	47566818001

MOTOR ASSEMBLY DRAWING



(Dwg. MHP0210)

MOTOR ASSEMBLY PARTS LIST

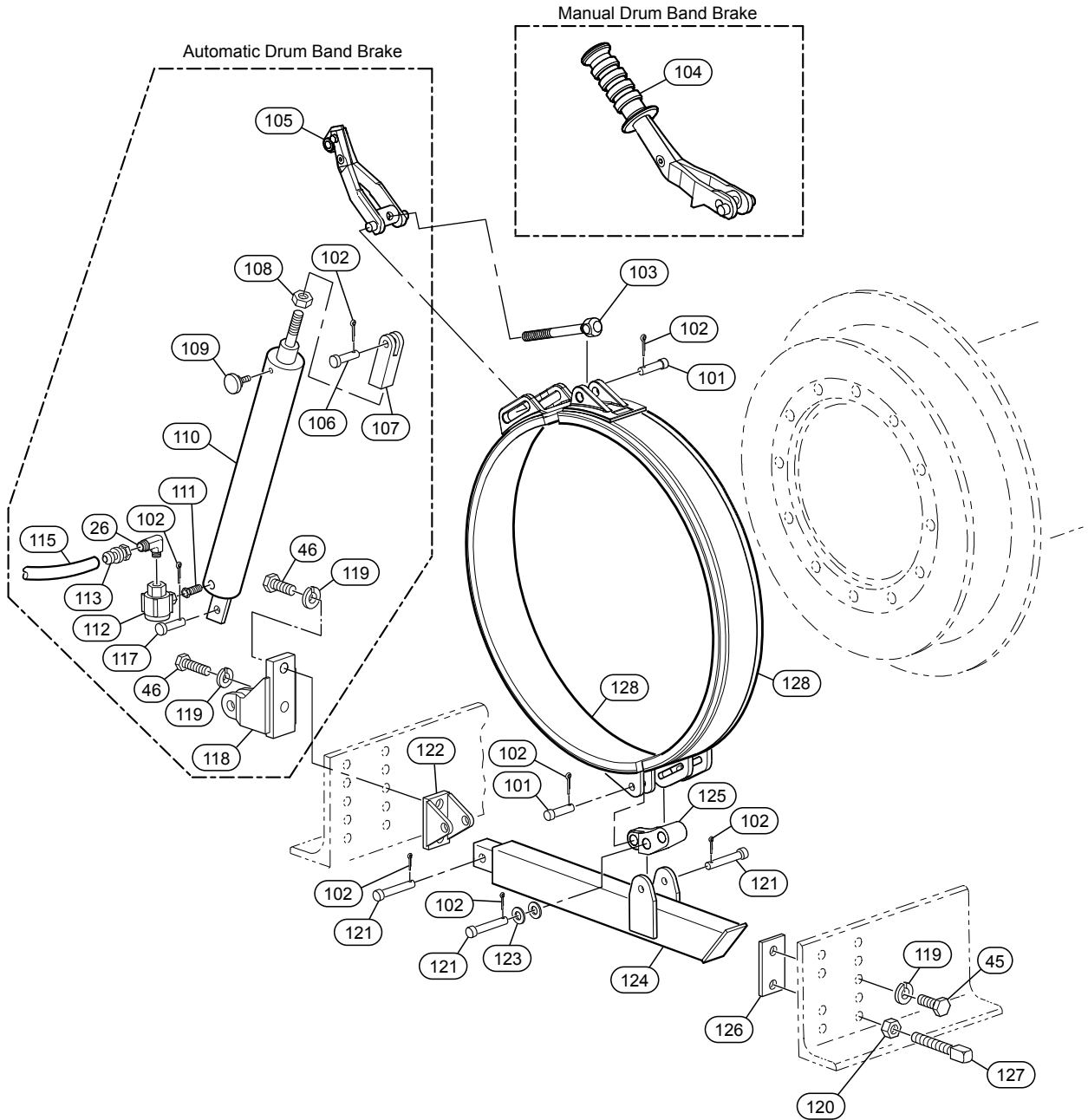
Item No.	Description of Part	Total Qty	Part Number (CCN)	Item No.	Description of Part	Total Qty	Part Number (CCN)
200	Motor			462	Vent Cap Assembly	1	26604 (71339949)
	for - E, CE, and MRCE	1	50259-1-E (71477723KTW)	463	Motor Case	1	Order item 200
	for use with standard and pendant control	1	50259-1 (03908126)	464	Pipe Plug	2	50822 (71224687)
2	Oil Seal (used with disc brake only)	1	52223 (71006472)	465	Bearing	2	Order 473
6	Motor Adapter	1	10361 (71076897)	466	Rotary Bushing	1	10986 (03932951)
39	Capscrew (used with Disc Brake)	5	54610 (71231948)	467	Rotary Valve	1	94-019 (03932001)
93	Capscrew	2	51488 (71051114)	468	Adapter Valve	1	10987 (03932969)
96	Lockwasher	8	50200 (03909983)		Adapter Valve (used on -E Motor)	1	25405 (71300099KTW)
451	Capscrew	20	71306443	469	Exhaust Cap	1	21-1 (71032015)
452	Copper Washer	1 set	94-027-20 (71073423)	470	Gasket	1	94-029 (71006456)
453	Cylinder	5	94-024 (71012173)	473	Crank Shaft Assembly	1	94-001 (71031249)
454	Compression Ring Kit (Note 1)	5	71027387	474	Connecting Rod Ring	2	Order item 473
455	Piston Assembly (Note 1)	5	94-010 (71244222)	475	Bushing	1	
457	Wrist Pin Assembly (includes item 456)	5	94-011-1A (71026454)	476	Sleeve	1	
458	Oil Ring (Note 1)	5	71027395	478	Setscrew	1	
459	Connecting Rod	5	94-009 (03931961)	479	Pin	1	
460	Gasket	1 set	94-025-5 (71073431)	480	Capscrew	1	

Note 1: Piston assembly includes 454, 457 and 458. Compression ring kit includes items 452, 458, 460 and 470.

Motor Assembly Kit List:

Item No.	Description of Part	Total Qty	Part Number (CCN)
1002	Service Kit: Motor (including in Overhaul Kits) (include items: 39, 93, 96, 451, 452, 454, 458, 460, 464, 465, 470, 476, 480)	1	47566824001
1003	Motor Gasket and Seal Kit (included in Service Kit: Motor) (include items: 2, 460, 470)	1	47566826001
1004	Piston Assembly (include items: 451, 452, 454, 455, 457, 458)	1	47568266001
1005	Crankshaft Assembly (include items: 459, 473, 474, 475, 476)	1	47566832001

DRUM BAND BRAKE ASSEMBLY DRAWING



(Dwg. MHP0209)

DRUM BAND BRAKE ASSEMBLY PARTS LIST

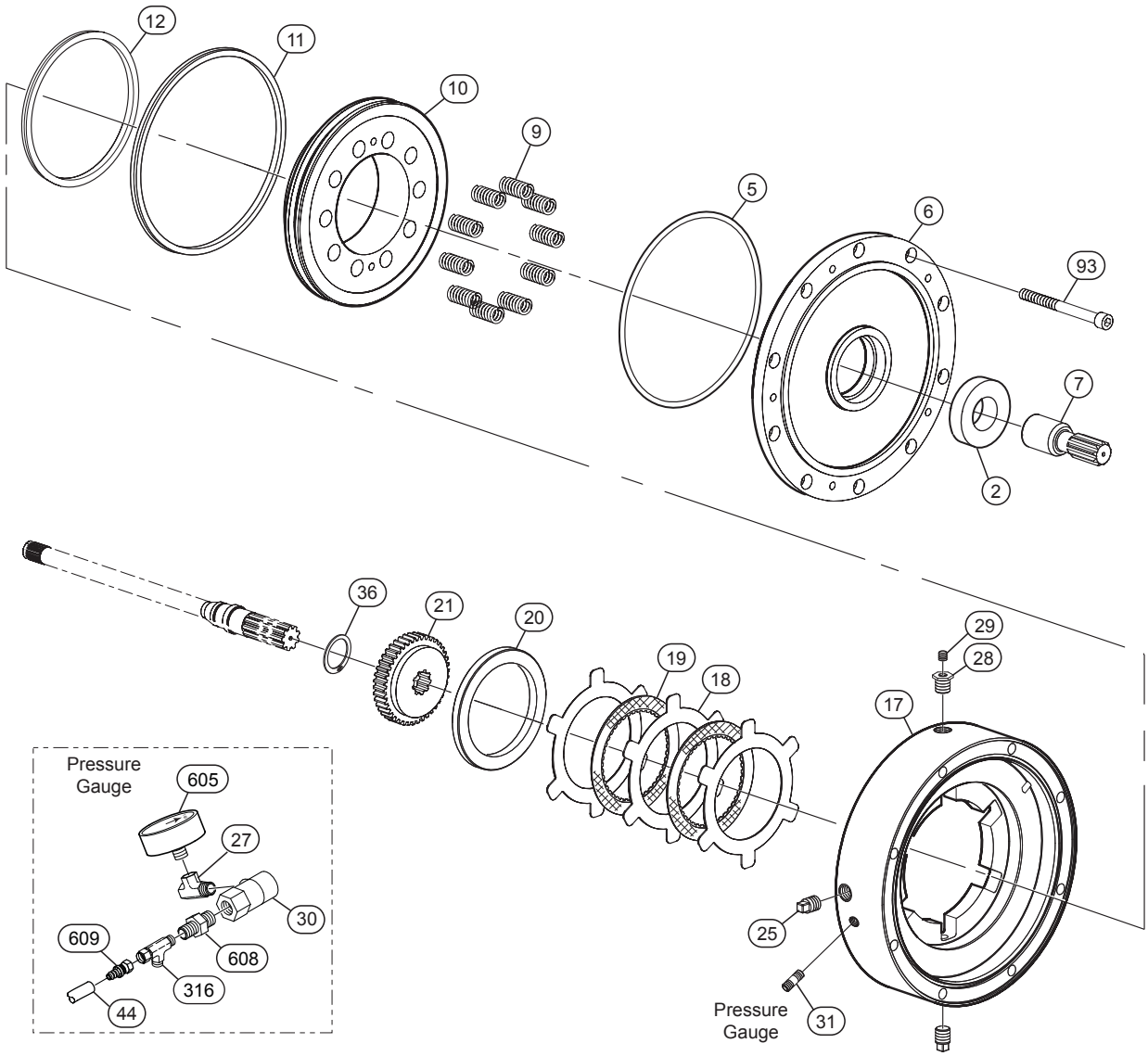
Item No.	Description of Part	Total Qty	Part Number (CCN)		
			Manual	Automatic	
26	Fitting, Elbow	1	---	52181 (03908357)	
45	Capscrew	See []	71128193 [3]	71128193 [1]	
46	Screw	2	---	50872 (71072227)	
101	Pin †	2	4303-S (03979150)		
102	Cotter Pin	See []	51996 [5] (71128425)	51996 [7] (71128425)	
103	Link Stud †	1	2448 (03979697)		
104	Brake Lever - Manual Brake †	1	2329 (03979655)	---	
105	Brake Lever - Automatic Brake	1	382-31264 (71450506)	11498 (71049001)	
106	Pin	1		8609 (03904711)	
107	Clevis	1		6237-2 (71049019)	
108	Nut	1		50159 (03898210)	
109	Breather	1		52384 (03899325)	
110	Cylinder	1		4575-1 (03972668)	
111	Fitting, Bushing	1		52006 (71086839)	
112	Dump Valve	1		51954 (03974870)	
113	Hose End	2		51029 (03990298)	
115	Hose (bulk)	As Req'd		50923 (03990215)	
117	Pin	1		---	382-30729 (71438139)
118	Bracket	1		---	382-30728 (71438113)
119	Washer	3	51008 (71035091)		
120	Nut	See []	54661 [1] (71232086)	54661 [2] (71232086)	
121	Pin †	3	3704-S (03978699)		
122	Pivot Bracket †	1	382-30630 (71435580)		
123	Washer	3	50890 (03933017)		
124	Brake Arm	1	11147 (71082804)		
125	Connecting Link †	1	11144 (71083034)		
126	Stop Plate	1	382-30629 (71435572)		
127	Screw, Adjusting	1	HU-775 (03185964)		
128	Brake Band Set †	1	382-29303 (71417612)		

† These parts also come in a cold weather version. For winches with a -C1M3 or -C2M3 in the model code, adding -C1M3 (DNV) or C2M3 (ABS) to the end of these part numbers is required to retain winch cold weather certification. C1 and C2 define the cold weather requirements for DNV or ABS. Example: Order Drum item (80) (12 inches long) part number 382-30698-2 as part number 382-30698-C1M3.

Drum Band Brake Assembly Kit List:

Item No.	Description of Part	Total Qty	Part Number (CCN)
1006	Service Kit: FA2i Brake Band (including in Overhaul Kits) (include items: 102, 128)	1	47540205001
1007	Conversion Kit: FA2i Auto Band Brake (include items: 45, 102, 103, 105, 106, 113, 115, 117, 119)	1	47566852001

DISC BRAKE ASSEMBLY DRAWING



(Dwg. MHP2786)

DISC BRAKE ASSEMBLY PARTS LIST

Item No.	Description of Part	Total Qty	Part Number (CCN)	Item No.	Description of Part	Total Qty	Part Number (CCN)
2	Oil Seal	1	52228 (71006498)	27	Fitting, Tee	1	71063374
5	'O' Ring	1	51484 (03898921)	28	Fitting, Reducer	1	51803 (71076582)
6	Motor Adapter	1	10361 (71076897)	29	Breather	1	51857 (71062558)
7	Brake Shaft †	1	11104 (71079776)	30	Dump Valve	1	50276 (71025704)
9	Spring	10	50751 (03990181)	31	Fitting, Nipple	1	51034 (71063630)
10	Brake Piston	1	382-31250 (71450316)	36	Retainer Ring	1	52227 (03899242)
11	Seal	1	51483 (03898913)	44	Hose Assembly *	ft.	50923 (03990215)
12	Seal	1	51482 (03898905)	93	Capscrew	7	51488 (71051114)
17	Brake Housing †	1	382-31251 (71450324)	113	Hose End	1	51029 (03990298)
18	Drive Plate	3	382-31246 (71450274)	316	Fitting, Tee (Auto Band Brake)	1	71067789
19	Friction Plate	2	71126874	605	Pressure Gauge	1	43806249
20	Brake Reaction Disc	1	382-31249 (71450308)	608	Fitting, Vented	1	20770 (71121784)
21	Gear †	1	382-31673 (71462717)	609	Fitting, Swivel	1	51029 (03990298)
25	Plug, Level / Drain	2	TLSE-368-3/8				

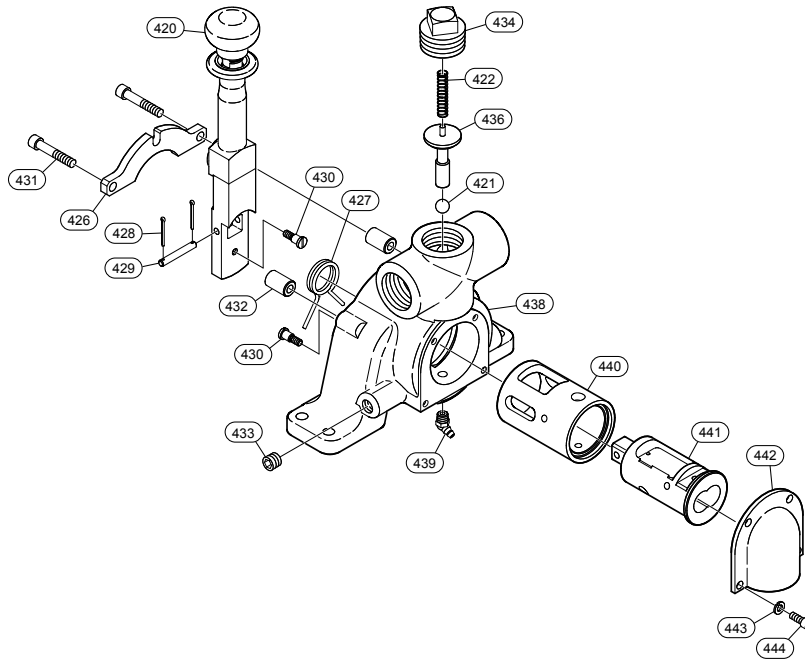
* Item not illustrated.

† These parts also come in a cold weather version. For winches with a -C1M3 or -C2M3 in the model code, adding -C1M3 (DNV) or C2M3 (ABS) to the end of these part numbers is required to retain winch cold weather certification. C1 and C2 define the cold weather requirements for DNV or ABS. Example: Order Drum item (80) (12 inches long) part number 382-30698-2 as part number 382-30698-C1M3.

Disc Brake Assembly Kit List:

Item No.	Description of Part	Total Qty	Part Number (CCN)
1008	Service Kit: Disc Brake (included in Overhaul Kits) (include items: 2, 5, 9, 11, 12, 18, 19, 27, 28, 29, 30, 31, 36, 37, 39, 93, 96, 316, 470, 605, 608)	1	47566854001
1009	Conversion Kit: FA2i Disc Brake (include items: 2, 5, 7, 9, 10, 11, 12, 17, 18, 19, 21, 25, 27, 28, 29, 30, 31, 35, 36, 37, 39, 93, 96, 316, 470, 605, 608)	1	47566850001

CONTROL VALVE ASSEMBLY DRAWING AND PARTS LIST



(Dwg. MHP0203)

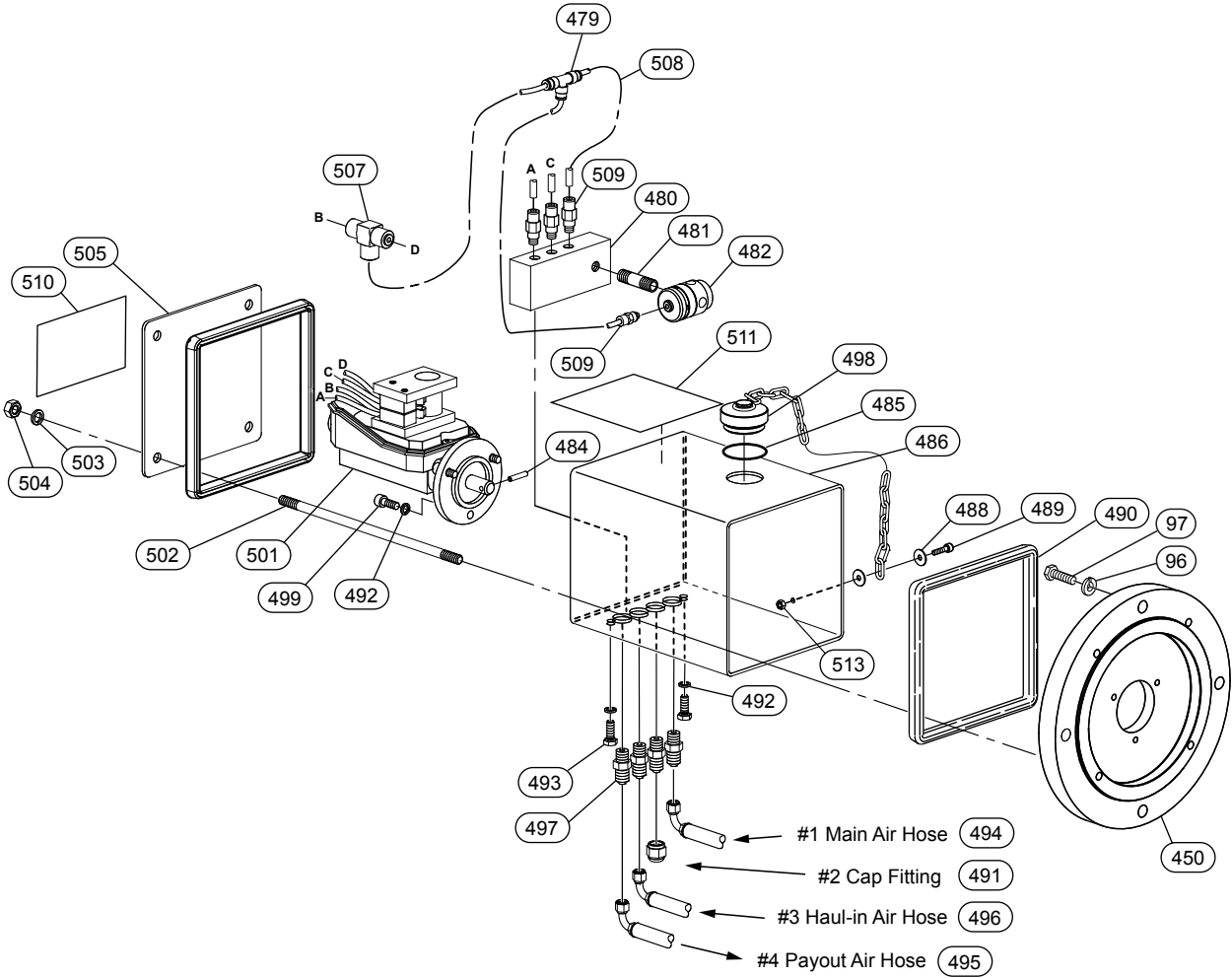
Item No.	Description of Part	Total Qty	Part Number (CCN)	Item No.	Description of Part	Total Qty	Part Number (CCN)
---	Control Valve Assembly	1	382-31757-S (45885266)	433	Pipe Plug	1	51599 (71086854)
420	Handle Assembly	1	382-35138 (45913126)	434	Pipe Plug	1	11886 (71088413)
421	Ball	1	71077119	436	Poppet Valve	1	11879 (71015572)
422	Spring	1	11862 (03909470)	438	Housing	1	**
426	Plate	1	382-34148 (45892627)	439	Grease Fitting	1	23-189 (03207982)
427	Spring	1	11880 (03895570)	440	Valve Bushing	1	11883 (71032684)
428	Pin	2	52161 (71086474)	441	Valve	1	11865 (71093694)
429	Pin	1	11861 (71088397)	442	Exhaust Cover	1	11881 (71081301)
430	Capscrew	2	11884 (71088405)	443	Lockwasher	4	51801 (71071708)
431	Capscrew	2	45894367	444	Capscrew	4	51770 (03906609)
432	Spacer	2	71077473				

** Housing not sold separately, order complete valve.

Control Valve Assembly Kit List:

Item No.	Description of Part	Total Qty	Part Number (CCN)
1010	Service Kit: FA2i Control Valve, PCT9000 (include items: 421, 422, 427, 428, 430, 431, 436, 439, 440, 443, 444)	1	47566834001
1011	Retrofit Kit, PCT9000 (include items: 420, 426, 427, 428, 429, 431)	1	47568259001

LIMIT SWITCH (OPTIONAL) ASSEMBLY DRAWING



(Dwg. MHP2677)

LIMIT SWITCH (OPTIONAL) ASSEMBLY PARTS LIST

Item No.	Description of Part	Total Qty	Part Number (CCN)	Item No.	Description of Part	Total Qty	Part Number (CCN)
475	Limit Switch Assembly (Note 1)	1	382-32134-5 (43807759)	495	Hose Assembly (42 in. [1067 mm]) standard hose	1	382-31423-10 (71457444)
96	Washer	4	71376370		Hose Assembly (42 in. [1067 mm]) stainless steel hose		382-31426-10 (71457642)
97	Capscrew	4	52160	496	Hose Assembly (42.5 in. [1080 mm]) standard hose	1	382-31423-9 (71457436)
450	Adapter (FA2.5i)	1	382-30831 (71439962)		Hose Assembly (42.5 in. [1080 mm]) stainless steel hose		382-31426-9 (71457634)
	Adapter (FA5i/5Ti)	1	382-30829 (71439947)	497	Fitting, Hose	4	51814 (03980752)
479	Fitting, Hose Tee	1	5825-5860	498	Cap Assembly	1	9615-0662 (38599577)
480	Connection Block	1	382-31427 (71457501)	499	Capscrew	3	71324115
481	Fitting, Pipe	1	54242 (03895778)	501	Spindle Switch Assembly (Note 2)	1	382-32134-5 (43807759)
482	3-way Valve	1	71460760	502	Rod	4	382-31037 (71445639)
484	Pin	1	4650-3420 (38523627)	503	Washer	4	4520-1008 (38543484)
• 485	'O' Ring	1	5823-7529	504	Nut	4	4300-3511 (38633079)
486	Housing	1	382-32124 (71472872)	505	Cover, Housing	1	9615-0566 (38595880)
488	Washer	2	4500-1104 (38560991)	507	Fitting, Hose Tee	1	71457519
489	Capscrew	1	4131-1906 (38631404)	508	Hose	1	6804-5328 (38582326)
• 490	Gasket	2	6976-1541 (38595864)	509	Fitting, Adapter	4	71457485
491	Fitting, Cap	1	71111975	510	Label, Limit Switch Configuration	1	71459929
492	Washer	5	4520-1006 (38540142)	511	Label, Limit Switch Instructions, Underwind Winches Only	1	71462337
493	Capscrew	2	4102-1804		Label, Limit Switch Instructions, Overwind Winches Only	1	71446439
494	Hose Assembly (37 in. [940 mm]) standard hose	1	382-31423-8 (71457428)	*	Chain	As Req'd	6903-3232 (38653663)
	Hose Assembly (37 in. [940 mm]) stainless steel hose		382-31426-8 (71457626)	*	Chain Grip	1	9412-0206 (38711420)

• Recommended spare for one winch, 2 years of operation.

Note 1: Includes items 476-481, 484-486 and 488-509.

Note 2: Item not sold separately. Order Limit Switch Assembly, item 475.

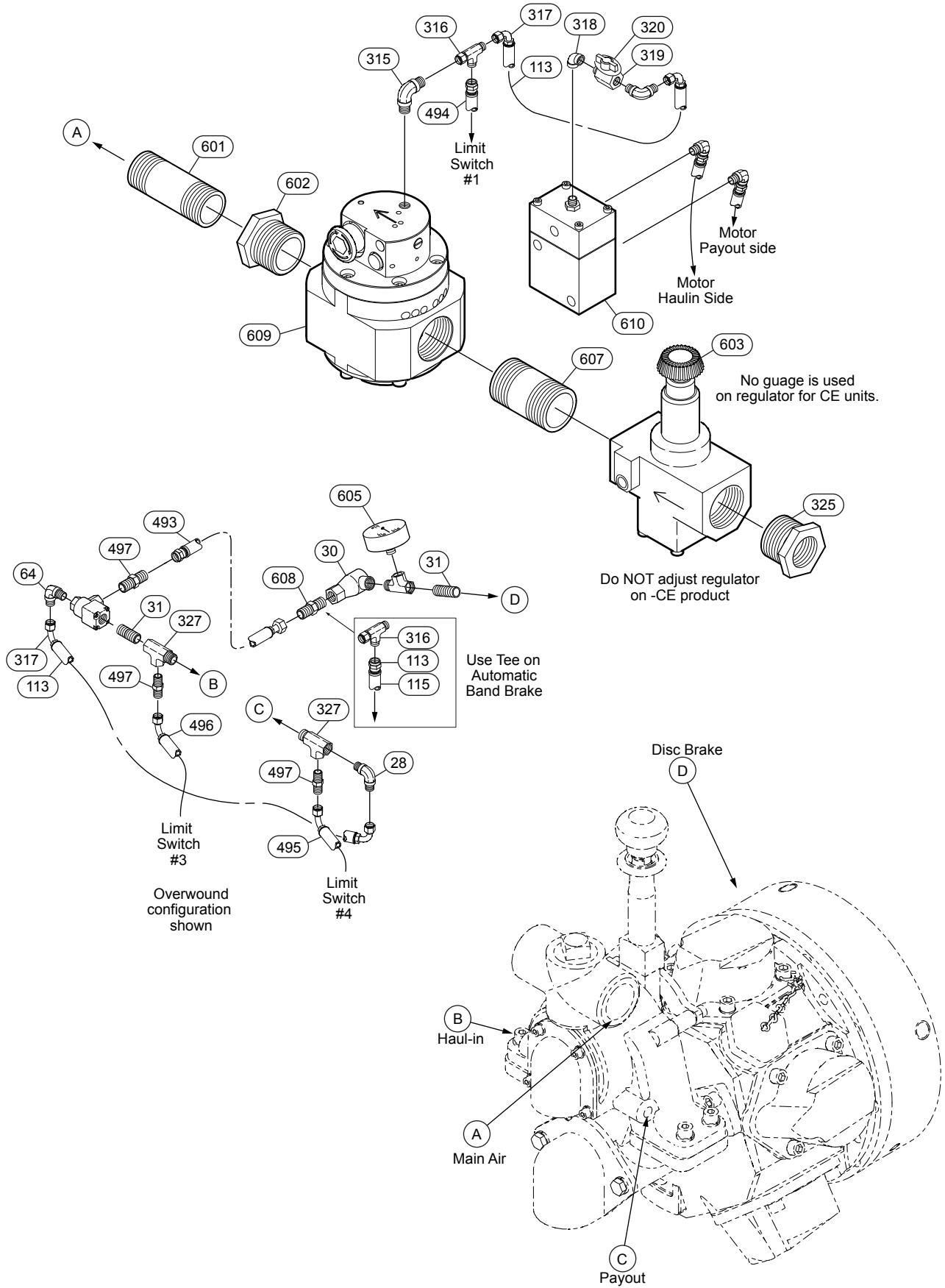
Note 3: If converting a winch to have a Limit Switch Assembly order item 450.

Limit Switch (Optional) Assembly Kit List:

Item No.	Description of Part	Total Qty	Part Number (CCN)
1012	Service Kit: Limit Switch (include items: 96, 97, 306, 485, 488, 489, 490, 491, 492, 493, 499, 502, 503, 504, 513 and 582)	1	47534540001
1013	Replacement Kit: Limit Switch Assembly (include items: 510, 511 and *(479, 480, 481, 482, 485, 486, 488, 489, 490, 491, 492, 493, 497, 498, 499, 501, 502, 503, 504, 505, 507, 506, 507, 508, 509))	1	382-32134-5 (43807759)

* Limit Switch Assembly items not sold separately

(-MRCE) HOSE CONNECTION ASSEMBLY DRAWING AND PARTS LIST



(Dwg. MHP3095)

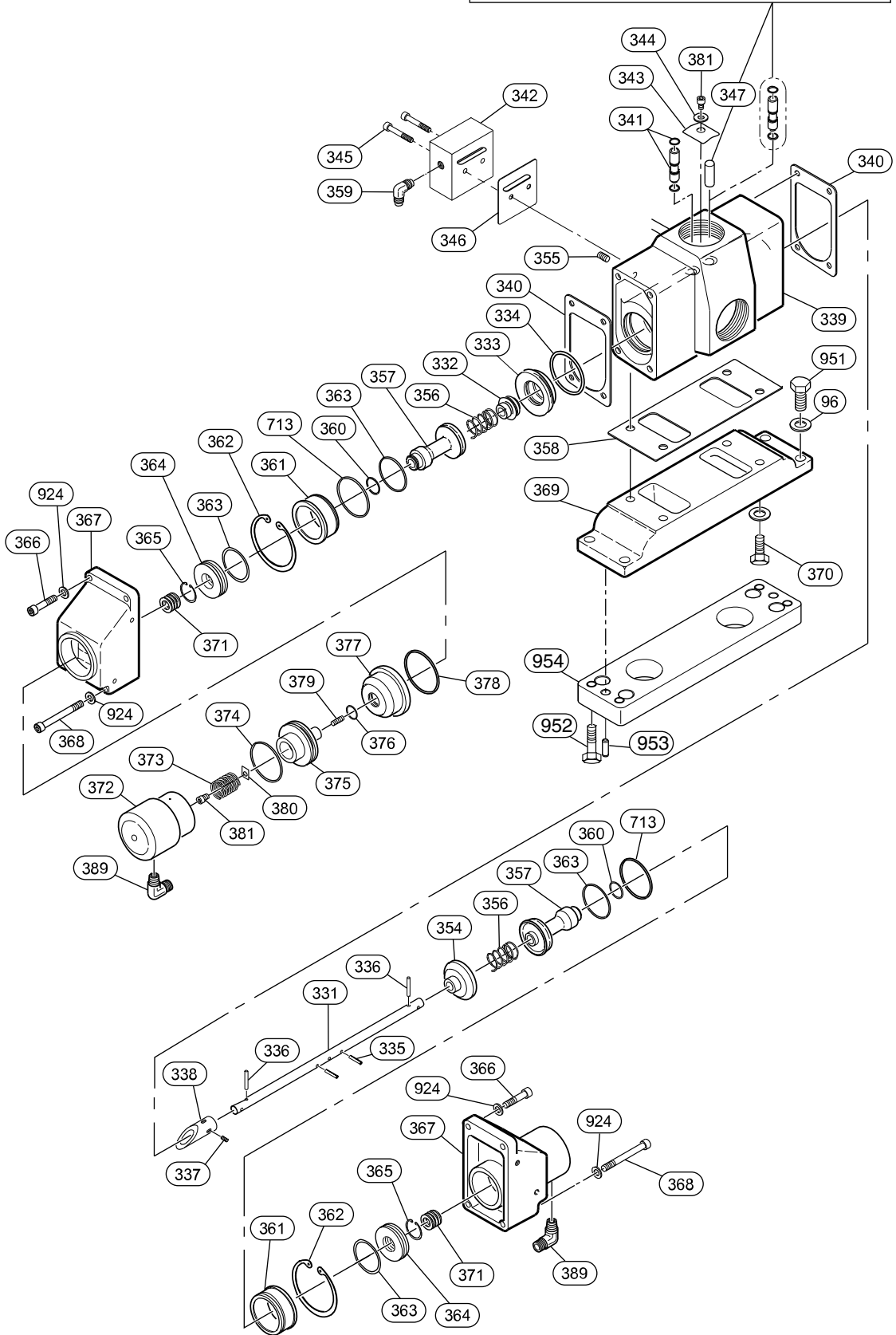
(-MRCE) HOSE CONNECTION ASSEMBLY PARTS LIST

Item No.	Description of Part	Total Qty	Part Number (CCN)	Item No.	Description of Part	Total Qty	Part Number (CCN)
27	Fitting, Tee	1	71063374	328	Fitting, Tee	2	71063374
28	Fitting, Elbow	2	52182 (03989431)	329	Shuttle Valve	1	50277 (03969466)
30	Dump Valve	1	50276 (71025704)	493	Hose Assembly	1	Contact Factory
31	Fitting, Nipple	2	51034 (71063630)	494	Hose Assembly	1	
113	Hose (bulk)	ft.	50923 (03990215)	495	Hose Assembly	1	
315	Fitting, Elbow	4	71262299	496	Hose Assembly	1	
316	Fitting, Swivel Tee	2	71067789	497	Fitting, Nipple	3	51814 (03980752)
317	Fitting, Hose	6	52179 (03895729)	601	Pipe Connector	1	51810 (71226427)
318	Fitting, Elbow	1	45942950	602	Pipe Bushing	1	51706 (71086409)
319	Selector Ball Valve	1	45902319	603	Regulator	1	382-34724 (45904943)
320	Mode Tag	1	45899044	605	Gauge	1	43806249
321	Bracket *	1	27915 (71371488)	607	Pipe Connector	1	71074215
322	Capscrew *	2	51494 (71225825)	608	Fitting	1	20770 (71121784)
323	Washer *	2	71055206	609	Emergency Stop Valve Assembly	1	7617-0043 (38605283)
324	Nut *	2	50170 (03989886)	610	Overload Valve (Delta-P)	1	28446 (71386882)
327	Pipe Bushing	1	51706 (71086409)				

* Items not illustrated.

PENDANT OPERATED PILOT CONTROL VALVE (OPTIONAL) ASSEMBLY DRAWING

Single Air Brake: Qty. = 1 each of Item 412 and Item 413.
 Dual Air Brake: Qty. = 2 of Item 413, 0 of Item 412.
 No Air Brake: Qty. = 2 of Item 412, 0 of Item 413.



(Dwg. MHP2778)

PENDANT OPERATED PILOT CONTROL VALVE (OPTIONAL) ASSEMBLY PARTS LIST

Item No.	Description of Part	Total Qty	Part Number (CCN)	Item No.	Description of Part	Total Qty	Part Number (CCN)
96	Washer (Note 2)	4	71376370	354	Exhaust Poppet	1	23516 (71135628)
248	Gasket, Housing	1	K5B-547 (03885258)	355	Plug	1	51897 (71112148)
330	Valve Assembly:	1		356	Spring	2	71138028
	Standard		PTV2 (71465843)	357	Inlet Poppet	2	382-31788 (71465637)
	-E Option		PTV2-E (71465850)	358	Gasket	1	71264725
	- w/Nordlock		PTV2-NL (45955820)	359	Fitting, Elbow	1	71262299
331	Valve Shaft	1	23522 (71135685)	360	'O' Ring	2	52662 (03930906)
332	Restricted Poppet	1	382-31789 (71465645)	361	Poppet Seat	2	382-31790 (71465652)
333	Restrictor, Seat	1	23524 (71135701)	362	Retainer Ring	2	53833 (71149132)
334	'O' Ring	1	71137988	363	'O' Ring	2	52573 (71138127)
335	Pin	2	71293179	366	Capscrew	4	71138069
336	Pin	2	71293161	367	Valve Cap	2	28433 (71386726)
337	Setscrew	1	71138093	368	Capscrew	4	71138077
338	Sleeve	1	382-31962 (71468839)	369	Adapter, Standard	1	23514-1 (71465033)
339	Valve Body	1	*		Adapter, -E Option		24373-1 (71465041)
340	Gasket	2	23592 (71139257)	370	Capscrew	4	52303 (71078026)
341	Pin (Note 1)	1(2)	23594 (71139273)	380	Washer (not shown)	4	51013 (03898632)
	Valve Assembly (Note 1)	1(2)		381	Capscrew	1	53807 (71059570)
	'O' Ring (Note 1)	2(4)		389	Elbow, Fitting	2	51714
342	Manifold	1	382-31755 (71464044)	713	'O' Ring	2	51768 (03989514)
343	Spring Clip	1	24793 (71299531)	924	Washer	8	71271985
344	Washer	1	50899 (71224794)	951	Capscrew	4	71431365
345	Capscrew	2	71261747	952	Screw	4	54133 (71230866)
346	Gasket	1	382-31761 (71464168)	953	Pin	2	71328363
347	Pin	1(2)	71146195	954	Adapter	1	382-31815 (71465686)

* Item not sold separately. Order item 330.

Note 1: Refer to the following to determine Pin (347) and Valve Assembly (341) configuration requirements:

Winches without disc or automatic band brake use quantity of 2 Pins (347).

Winches with a single automatic brake (disc or drum band) (Valve Assembly 25439 or 25440) use quantity of 1 Pin (347) and 1 Valve Assembly (341).

Winches with disc and automatic band brakes (Valve Assemblies 25441 or 25468) use quantity of 2 Valve Assemblies (341).

Note 2: Quantity of 4 Washers (96) required to mount Adapter (369).

Additional Washer (96) quantities are 'As Required' to establish clearance tolerances described in "MAINTENANCE" section.

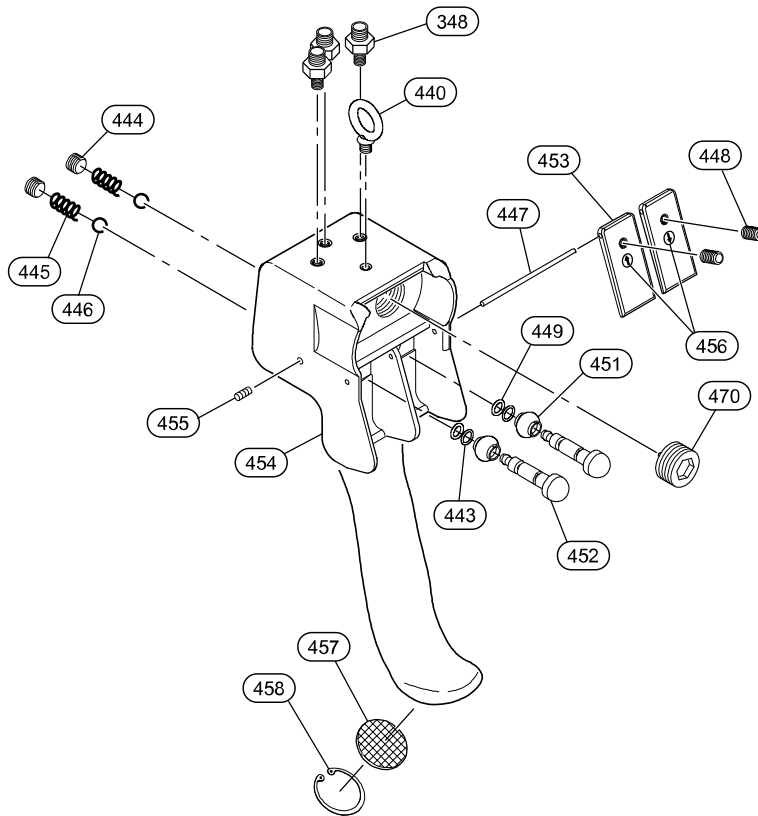
Pendant Operated Pilot Control Valve (Optional) Assembly Service Kit List:

Item No.	Description of Part	Total Qty	Part Number (CCN)
1014	Service Kit: PTV2 Control Valve (included in Overhaul Kits) (include items: 96, 248, 334, 336, 337, 340, 345, 346, 356, 358, 360, 363, 366, 368, 370, 713, 924, 951, *Gasker K5C Valve)	1	47569530001

* Items not illustrated.

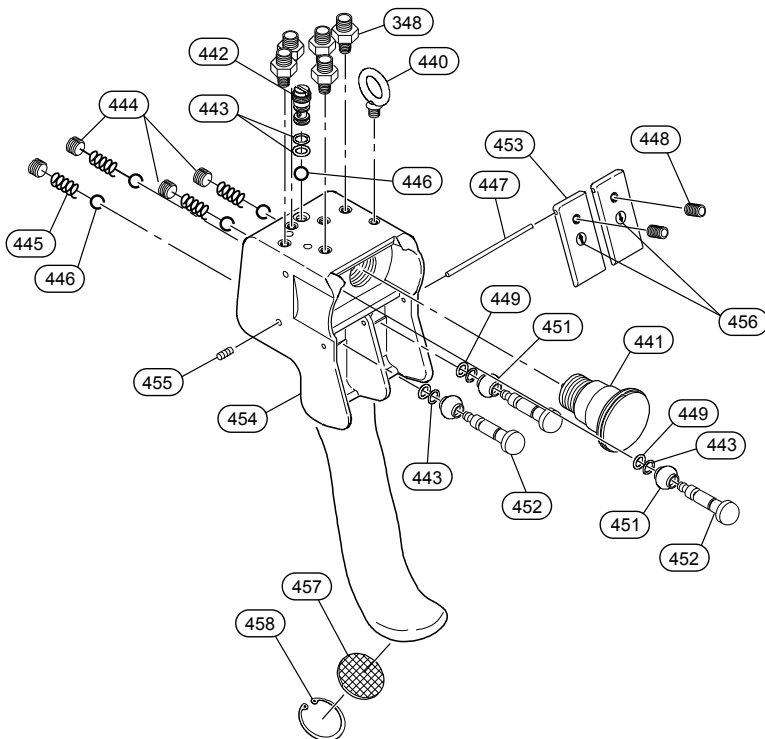
TWO LEVER REMOTE PENDANT (OPTIONAL) ASSEMBLY DRAWINGS

Pendant without Emergency Stop



(Dwg. MHP2346)

Pendant with Emergency Stop



(Dwg. MHP1677)

TWO LEVER REMOTE PENDANT (OPTIONAL) ASSEMBLY PARTS LIST

Item No.	Description of Part	Total Qty	Part Number (CCN)	
			Without E-Stop	With E-Stop
353	Pendant Assembly *	1	PHS2E (38559233)	PHS2E-U (38559258)
348	Fitting	3 (5)	71048268	
440	Lifting Eye	1	6422-2332 (38529160)	
441	Emergency Stop Valve	1	---	9579-0108 (38851180)
442	Valve	1		9579-0106 (38551198)
443	'O' Ring	2(5)	5820-9229 (38534517)	
444	Plug	2(4)	6510-7741 (38648143)	
445	Spring	2(4)	6912-8541 (38553889)	
446	Ball	2(5)	6940-1625 (38542924)	
447	Pin	1	9579-0040 (38538237)	
448	Setscrew	2	4200-8607 (38555546)	
449	'O' Ring	2(3)	5823-5329 (38550208)	
451	Protector	2(3)	9579-0107 (38554580)	
452	Valve	2(3)	9579-0104 (38550190)	
453	Lever	2	9579-0122 (38559100)	
454	Pendant Handle	1	order item 353	
455	Setscrew	3(5)	71078158	
456	Label Kit	1	9579-0111 (38554598)	
457	Exhaust Washer	1	6760-0303 (38535621)	
458	Retainer Ring	1	4771-3030 (38559373)	
470	Plug	1	6512-9541 (38559530)	---

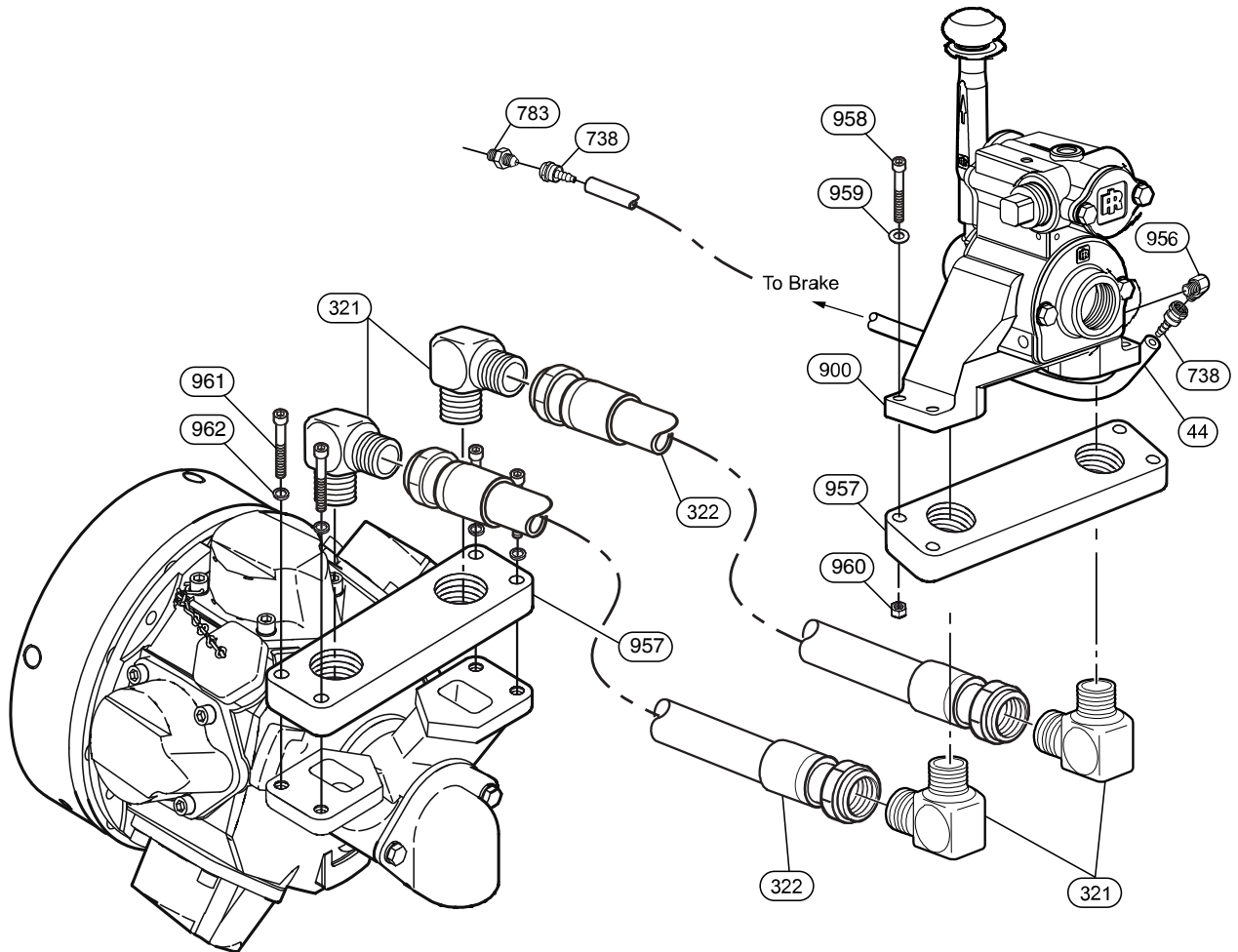
* PHS2E includes items 440-449 and 451-458.

PHS2E-U includes items 440, 443-449, 451-458 and 470.

Two Lever Remote Pendant (Optional) Assembly Service Kit List:

Item No.	Description of Part	Total Qty	Part Number (CCN)
1015	Service Kit: PHS2E-U Pendant	1	38781431

FULL FLOW REMOTE CONTROL VALVE ASSEMBLY DRAWING AND PARTS LIST



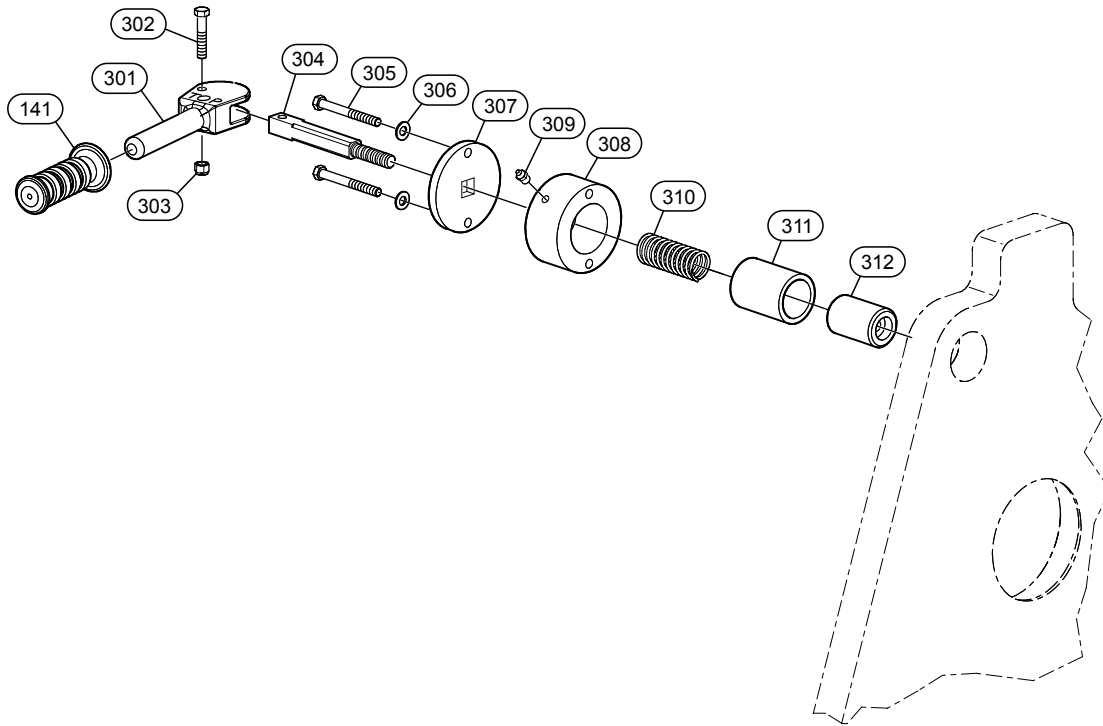
(Dwg. MHP2698)

Item No.	Description of Part	Total Qty	Part Number (CCN)
900	Control Valve Assembly	1	382-31757 (71464069)
44	Hose (bulk)	As Req'd	50923 (03990215)
321	Fitting, Elbow	4	71015457
322	Hose Assembly	2	47574430001
738	Fitting	2	51029 (03990298)
783	Fitting	1	51814 (03980752)
956	Fitting, Elbow	1	52182 (03989431)
957	Manifold	2	17851 (71069710)
958	Screw	4	51840 (03899077)
959	Washer	4	71376370
960	Nut	4	50170 (03989886)
961	Screw	4	54240 (71086458)
962	Washer	4	50200 (03909983)

Note 1: Requires special tool to install fittings into hose ends.

Note 2: Maximum hose length of 20 ft.

DRUM LOCKING PIN ASSEMBLY DRAWING AND PARTS LIST



(Dwg. MHP2675)

Item No.	Description of Part	Total Qty	Part Number (CCN)	Item No.	Description of Part	Total Qty	Part Number (CCN)
300	Drum Locking Assembly	1	382-30722-5	307	Cover	1	382-30704 (71436513)
141	Handle Grip	1	71436851	308	Housing	1	382-30558 (71434237)
301	Handle	1	382-30639 (71435721)	309	Grease Fitting	1	71111942
302	Capscrew	1	71445654	310	Spring	1	71436869
303	Locknut	1	71069132	311	Bushing	1	382-31657 (71462121)
304	Shaft	1	382-30705 (71436521)	312	Drum Lock Pin	1	382-30633 (71435663)
305	Capscrew	2	71328744	*	Label, Drum Lock	1	71465967
306	Washer	2	51833 (71127492)				

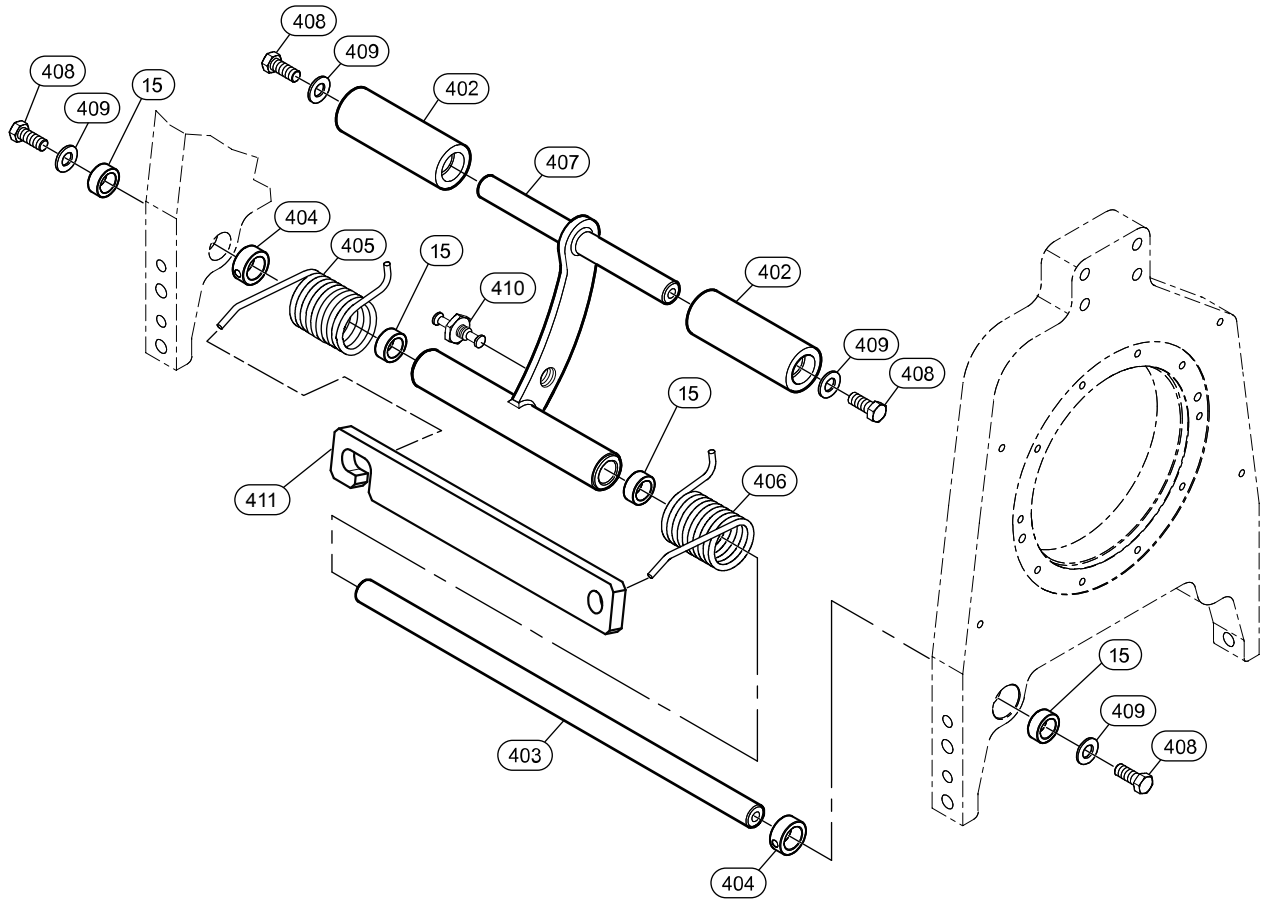
Note: Not available for Man Rider applications.

* Item not illustrated.

Drum Locking Pin Assembly Service Kit List:

Item No.	Description of Part	Total Qty	Part Number (CCN)
1016	Drum Lock Assembly, FA2i/FA2.5i (include items: 141, 301, 302, 303, 304, 305, 306, 307, 308, 309, 310, 311, 312, *Label)	1	382-30722-5

PRESS ROLLER ASSEMBLY DRAWING



(Dwg. MHP2695)

PRESS ROLLER ASSEMBLY PARTS LIST

For use without a band brake assembly:

Item No.	Description of Part	Total Qty	Part Number (CCN)				
			8"	12"	16"	20"	24"
---	Press Roller Assembly	1	Contact Factory	382-31043-2 (71445811)	382-31043-3 (71453229)	382-31043-4 (71453245)	382-31043-5 (71445837)
15	Bushing	4	71443816				
402	Roller	2	382-30966-1 (71460042)	382-30966-2 (71445779)	382-30966-3 (71443907)	382-30966-4 (71476725)	382-30966-5 (71443915)
403	Roller Shaft	1	382-31044-1 (71461271)	382-31044-2 (71445860)	382-31044-3 (45890381)	382-31044-4 (45890407)	382-31044-5 (71445886)
404	Shaft Collar	2	71443980				
405	Spring, Left Side	1	382-30968 (71443824)				
406	Spring, Right Side	1	382-30969 (71443832)				
407	Arm (includes pin)	1	382-30962-1 (71460034)	382-30962-2 (71445746)	382-30962-3 (71443881)	382-30962-4 (45890563)	382-30962-5 (71443899)
408	Capscrew	4	71371652				
409	Washer	4	51009 (03898624)				
410	Pin Retainer	1	382-30965 (71443790)				

For use with band brake assembly:

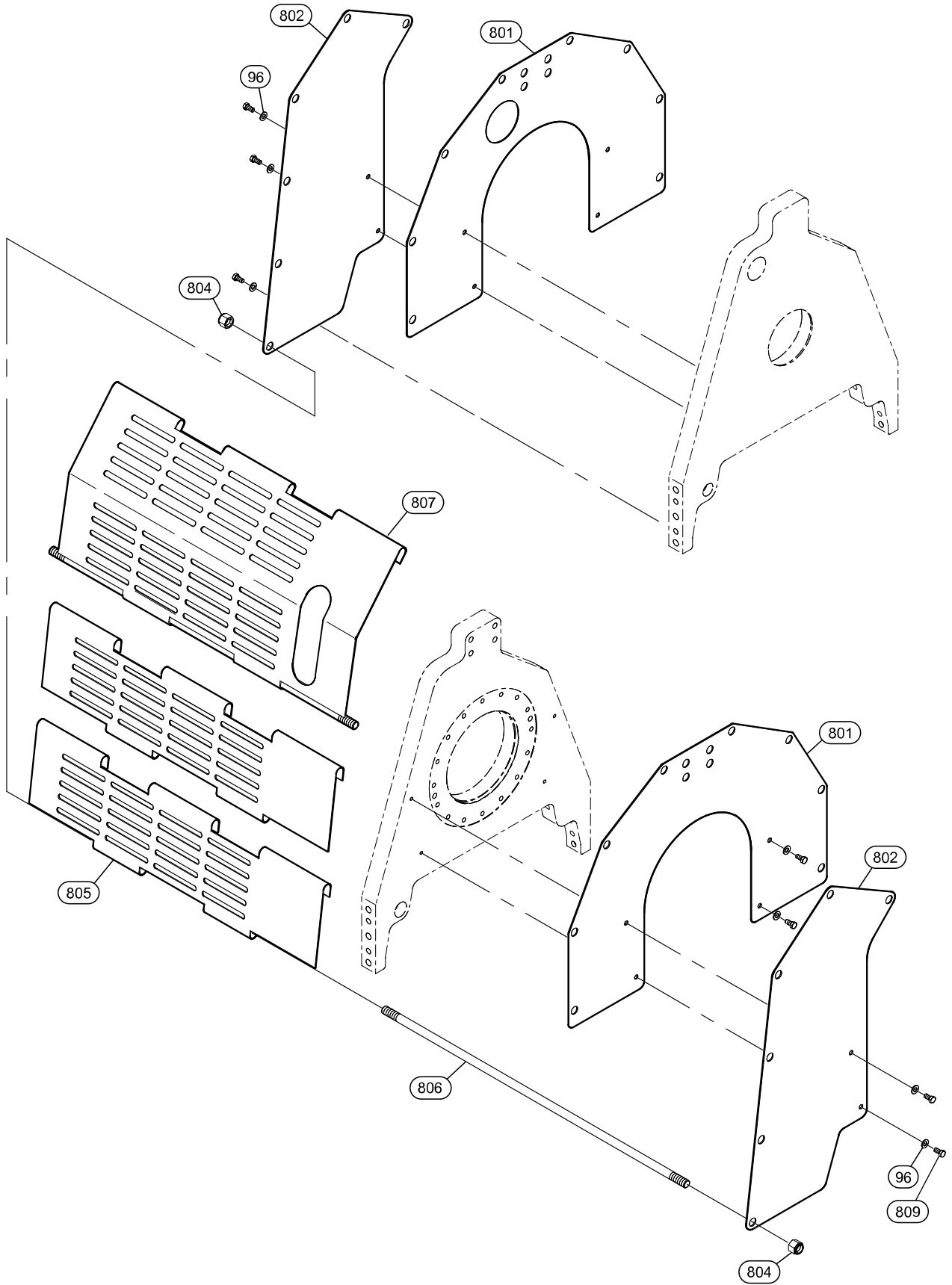
Item No.	Description of Part	Total Qty	Part Number (CCN)				
			8"	12"	16"	20"	24"
---	Press Roller Assembly	1	382-31533-1B (71459986)	382-31043-2B (71445829)	382-31043-3B (71453237)	382-31043-4B (71453252)	382-31043-5B (71445845)
15	Bushing	4	71443816				
402	Roller	2	382-30966-1 (71460042)	382-30966-2 (71445779)	382-30966-3 (71443907)	382-30966-4 (71476725)	382-30966-5 (71443915)
403	Roller Shaft	1	382-31534-1B (71460018)	382-31044-2B (71445878)	382-31044-3B (45890399)	382-31044-4B (45890415)	382-31044-5B (71445894)
404	Shaft Collar	2	71443980				
405	Spring, Left Side	1	382-30968 (71443824)				
406	Spring, Right Side	1	382-30969 (71443832)				
407	Arm (includes pin)	1	382-30962-1 (71460034)	382-30962-2 (71445746)	382-30962-3 (71443881)	382-30962-4 (45890563)	382-30962-5 (71443899)
408	Capscrew	4	71371652				
409	Washer	4	51009 (03898624)				
410	Pin Retainer	1	382-30965 (71443790)				
411	Retainer, Spring	1	382-33145 (45871548)				

NOTE: Length of press roller is determined by drum length. With and without are used to indicated length requirements for press roller and do not come with any other winch components.

Press Roller Assembly Service Kit List:

Item No.	Description of Part	Total Qty	Part Number (CCN)
1017	Service Kit: FA2i/2.5i Pressroller 12" Drum (include items: 402, 404, 405, 406, 408, 409, 410, 412)	1	47540213001
1018	Service Kit: FA2i/FA2.5i Pressroller 24" Drum (include items: 402, 404, 405, 406, 408, 409, 410, 412)	1	47540201001
1019	Replacement Kit: FA2i/2.5i Pressroller 12" Drum w BB (include items: 15, 407, 412, 402, 405, 406, 403, 409, 408, 404)	1	382-31043-2B-5 (71471916)
1020	Replacement Kit: FA2i/2.5i Pressroller 12" Drum w/o BB (include items: 15, 407, 412, 402, 405, 406, 403, 409, 408, 404)	1	47540209001
1021	Replacement Kit: FA2i/2.5i Pressroller 24" Drum w/ BB (include items: 15, 407, 412, 402, 405, 406, 403, 409, 408, 404)	1	382-31043-5B-CK (45914777)
1022	Replacement Kit: FA2i/2.5i Pressroller 24" Drum w/o BB (include items: 15, 407, 412, 402, 405, 406, 403, 409, 408, 404)	1	382-31043-5-CK (45917903)

DRUM GUARD ASSEMBLY DRAWING



(Dwg. MHP2676)

DRUM GUARD ASSEMBLY PARTS LIST

Item No.	Description of Part	Total Qty	Part Number (CCN)				
			8 in. drum	12 in. Drum	16 in. Drum	20 in. Drum	24 in. Drum
---	Winch Guard Assembly w/o Band Brake, w/o Drum Lock	1	382-31518-1 (45941648)	---	382-31122-3 (71447619)	382-31122-4 (71452981)	382-31122-5 (71447643)
	Winch Guard Assembly w/o Band Brake, w/ Drum Lock		---	382-31122-2L (71447585)	---	---	382-31122-5L (71447676)
	Winch Guard Assembly w/ Manual Band Brake, w/o Drum Lock *		382-31518-1B (71459648)	382-31122-2B (71447569)	382-31122-3B (71447627)	382-31122-4B (71453005)	382-31122-5B (71447650)
	Winch Guard Assembly w/ Manual Band Brake, w/ Drum Lock		382-31518-1BL (71459630)	382-31122-2BL (71447593)	382-31122-3BL (71452965)	382-31122-4BL (71453013)	382-31122-5BL (71447684)
	Winch Guard Assembly w/Auto Band Brake, w/o Drum Lock *		382-31518-1AB (71459663)	382-31122-2AB (71447577)	382-31122-3AB (71447635)	382-31122-4AB (71453021)	382-31122-5AB (71447668)
	Winch Guard Assembly w/ Auto Band Brake, w/ Drum Lock		382-31518-1ABL (71459655)	382-31122-2ABL (71447601)	382-31122-3ABL (71452973)	---	382-31122-5ABL (71447692)
801	Frame w/o Band Brake, w/o Drum Lock	2	382-31123 (71447700)	---	382-31123 (71447700)		382-31123 (71447700)
	Frame w/o Band Brake, w/ Drum Lock	1	---	382-31123 (71447700)	---	---	
	Frame w/o Band Brake, w/ Drum Lock	1	---	382-31123-L (71447718)	---	---	382-31123-L (71447718)
	Frame w/ Manual Band Brake, w/o Drum Lock	2	382-31123 (71447700)				
	Frame w/ Manual Band Brake, w/ Drum Lock	1	382-31123-L (71447718)				
	Frame w/ Manual Band Brake, w/ Drum Lock	1	382-31123 (71447700)				
	Frame w/ Auto Band Brake, w/o Drum Lock	1	382-31124 (71447726)				
802	Frame w/ Auto Band Brake, w/o Drum Lock	2	382-31124 (71447726)				
801	Frame w/ Auto Band Brake, w/ Drum Lock	1	382-31123 (71447700)			---	382-31123 (71447700)
	Frame w/ Auto Band Brake, w/ Drum Lock	1	382-31123-L (71447718)			---	382-31123-L (71447718)
802	Frame w/ Auto Band Brake, w/ Drum Lock	2	382-31124 (71447726)				
805	Panel w/o Band Brake, w/o Drum Lock	See []	382-31127-1 (71447940) [1] FORMING	---	382-31125-3 (71447783) [4]	382-31125-4 (71447809) [4]	382-31125-5 (71447825) [4]
	Panel w/o Band Brake, w/o Drum Lock	4	382-31521 (71459713)	---	---	---	---
807	Panel w/o Band Brake, w/ Drum Lock	4	---	382-31125-2 (71447767)	---	---	382-31125-5 (71447825)
805	Panel w/ Manual Band Brake, w/o Drum Lock	See []	382-31520 (71459705) [1]	382-31125-2B (71447775) [2]	382-31125-3B (71447791) [2]	382-31125-4B (71447817) [2]	382-31125-5B (71447833) [2]
807	Panel w/ Manual Band Brake, w/o Drum Lock	See []	382-31521 (71459713) [2]	382-31127-2 (71447957) [1] FORMING	382-31127-3 (71447965) [1] FORMING	382-31127-4 (71447973) [1] FORMING	382-31127-5 (71447981) [1] FORMING
805	Panel w/ Manual Band Brake, w/ Drum Lock	See []	382-31520 (71459705) [1]	382-31125-2B (71447775) [2]	382-31125-3B (71447791) [2]	382-31125-4B (71447817) [2]	382-31125-5B (71447833) [2]
807	Panel w/ Manual Band Brake, w/ Drum Lock	See []	382-31521 (71459713) [2]	382-31127-1 (71447940) [1] FORMING	382-31127-3 (71447965) [1] FORMING	382-31127-4 (71447973) [1] FORMING	382-31127-5 (71447981) [1] FORMING
805	Panel w/ Auto Band Brake, w/o Drum Lock	6	382-31521 (71459713)	382-31125-2B (71447775)	382-31125-3B (71447791)	382-31125-4B (71447817)	382-31125-5B (71447833)
	Panel w/ Auto Band Brake, w/ Drum Lock	6				---	
806	Crossbar w/o Band Brake	6	382-31519-1B (71459697)	382-31126-2 (71447874)	382-31126-3 (71447890)	382-31126-4 (43803329)	382-31126-5 (71447916)
	Crossbar w/ Manual Band Brake	5		382-31126-2B (71447882)	382-31126-3B (71447908)	382-31126-4B (43804046)	382-31126-5B (71447924)
	Crossbar w/ Auto Band Brake	8					
804	Locknut w/o Band Brake	12	71445415				
	Locknut w/ Manual Band Brake	10					
	Locknut w/ Auto Band Brake	16					
96	Washer	8	71376370				
809	Capscrew	8	71445407	71445407 (6-AB and ABL)	71445407 (6-AB and ABL)	71445407 (6-AB)	71445407 (6-AB and ABL)
**	Screw	2	---	48550622 (AB and ABL)	48550622 (AB and ABL)	48550622 (AB)	48550622 (AB and ABL)

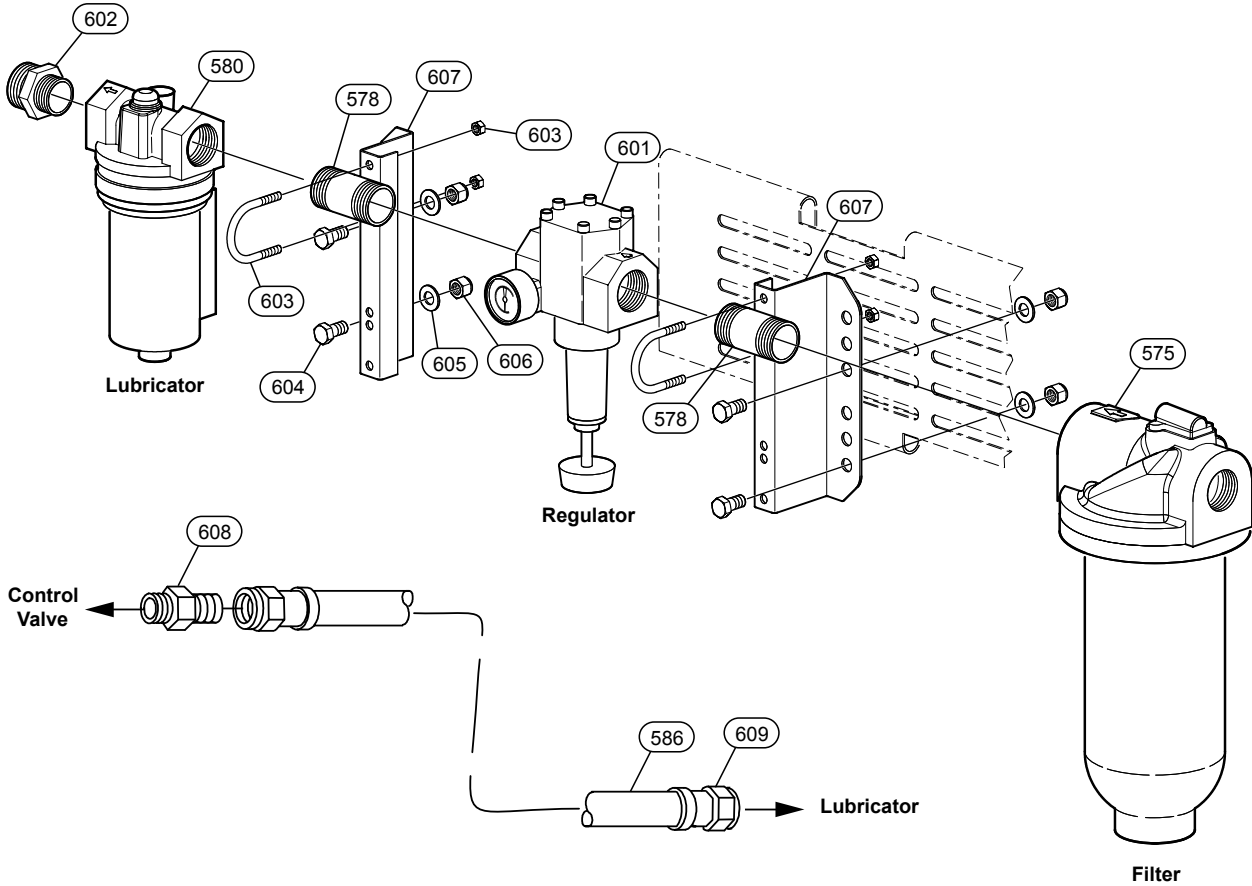
NOTE: Length of guard panels is determined by drum length and lock component. With and without (w/o) are used to indicated length requirements for panels and any necessary holes, assemblies and individual parts do not come with any other winch components, unless specified.

Drum Guard Assembly Service Kit List:

Item No.	Description of Part	Total Qty	Part Number (CCN)
1023	Replacement Kit: *Guard Assy w/o Band Brake w/o Drum Lock 8 in. drum	1	382-31518-1 (45941648)
1024	Replacement Kit: *Guard Assy w/ Manual Band Brake w/o Drum Lock 8 in. drum	1	382-31518-1B (71459648)
1025	Replacement Kit: *Guard Assy w/ Manual Band Brake w/ Drum Lock 8 in. drum	1	382-31518-1BL (71459630)
1026	Replacement Kit: *Guard Assy w/ Auto Band Brake w/o Drum Lock 8 in. drum	1	382-31518-1AB (71459663)
1027	Replacement Kit: *Guard Assy w/ Auto Band Brake w/ Drum Lock 8 in. drum	1	382-31518-1ABL (71459655)
1028	Replacement Kit: *Guard Assy w/o Band Brake w/ Drum Lock 12 in. drum	1	382-31122-2L (71447585)
1029	Replacement Kit: *Guard Assy w/ Manual Band Brake w/o Drum Lock 12 in. drum	1	382-31122-2B (71447569)
1030	Replacement Kit: *Guard Assy w/ Manual Band Brake w/ Drum Lock 12 in. drum	1	382-31122-2BL (71447593)
1031	Replacement Kit: *Guard Assy w/ Auto Band Brake w/o Drum Lock 12 in. drum	1	382-31122-2AB (71447577)
1032	Replacement Kit: *Guard Assy w/ Auto Band Brake w/ Drum Lock 12 in. drum	1	382-31122-2ABL (71447601)
1033	Replacement Kit: *Guard Assy w/o Band Brake w/o Drum Lock 16 in. drum	1	382-31122-3 (71447619)
1034	Replacement Kit: *Guard Assy w/ Manual Band Brake w/o Drum Lock 16 in. drum	1	382-31122-3B (71447627)
1035	Replacement Kit: *Guard Assy w/ Manual Band Brake w/ Drum Lock 16 in. drum	1	382-31122-3BL (71452965)
1036	Replacement Kit: *Guard Assy w/ Auto Band Brake w/o Drum Lock 16 in. drum	1	382-31122-3AB (71447635)
1037	Replacement Kit: *Guard Assy w/ Auto Band Brake w/ Drum Lock 16 in. drum	1	382-31122-3ABL (71452973)
1038	Replacement Kit: *Guard Assy w/o Band Brake w/o Drum Lock 20 in. drum	1	382-31122-4 (71452981)
1039	Replacement Kit: *Guard Assy w/ Manual Band Brake w/o Drum Lock 20 in. drum	1	382-31122-4B (71453005)
1040	Replacement Kit: *Guard Assy w/ Manual Band Brake w/ Drum Lock 20 in. drum	1	382-31122-4BL (71453013)
1041	Replacement Kit: *Guard Assy w/ Auto Band Brake w/o Drum Lock 20 in. drum	1	382-31122-4AB (71453021)
1042	Replacement Kit: *Guard Assy w/o Band Brake w/o Drum Lock 24 in. drum	1	382-31122-5 (71447643)
1043	Replacement Kit: *Guard Assy w/o Band Brake w/ Drum Lock 24 in. drum	1	382-31122-5L (71447676)
1044	Replacement Kit: *Guard Assy w/ Manual Band Brake w/o Drum Lock 24 in. drum	1	382-31122-5B (71447650)
1045	Replacement Kit: *Guard Assy w/ Manual Band Brake w/ Drum Lock 24 in. drum	1	382-31122-5BL (71447684)
1046	Replacement Kit: *Guard Assy w/ Auto Band Brake w/o Drum Lock 24 in. drum	1	382-31122-5AB (71447668)
1047	Replacement Kit: *Guard Assy w/ Auto Band Brake w/ Drum Lock 24 in. drum	1	382-31122-5ABL (71447692)

* Complete Assembly, not a kit

AIR PREPARATION ASSEMBLY DRAWING AND PARTS LIST



(Dwg. MHP2679)

Item No.	Description of Part	Total Qty	Part Number (CCN)
---	Air Preparation Assembly	1	382-31020-S (43803451)
575	Filter 1-1/2 NPT	1	F35581-410 (15327844)
578	Pipe Nipple	2	71311260
580	Lubricator 1-1/2 NPT	1	L36581-110 (15328107)
586	Hose, bulk (4 ft [1.22 mm]) *	4 ft	47519434009
601	Regulator	1	382-35598 (45921814)
602	Pipe Nipple	1	71057483
603	U-Bolt	2	71445308
604	Capscrew	4	71391080
605	Washer	4	71445324
606	Nut	4	71445316
607	Bracket	2	382-31021 (71445225)
608	Hose Fitting	2	54738 (71075899)
609	Fitting, Connector (Note)	1	71106520
**	Fitting	1	54270 (71075915)
**	Ball Valve	1	71416911

Air preparation components for 1-1/2 inch FNPT system.

* Length as required for installation.

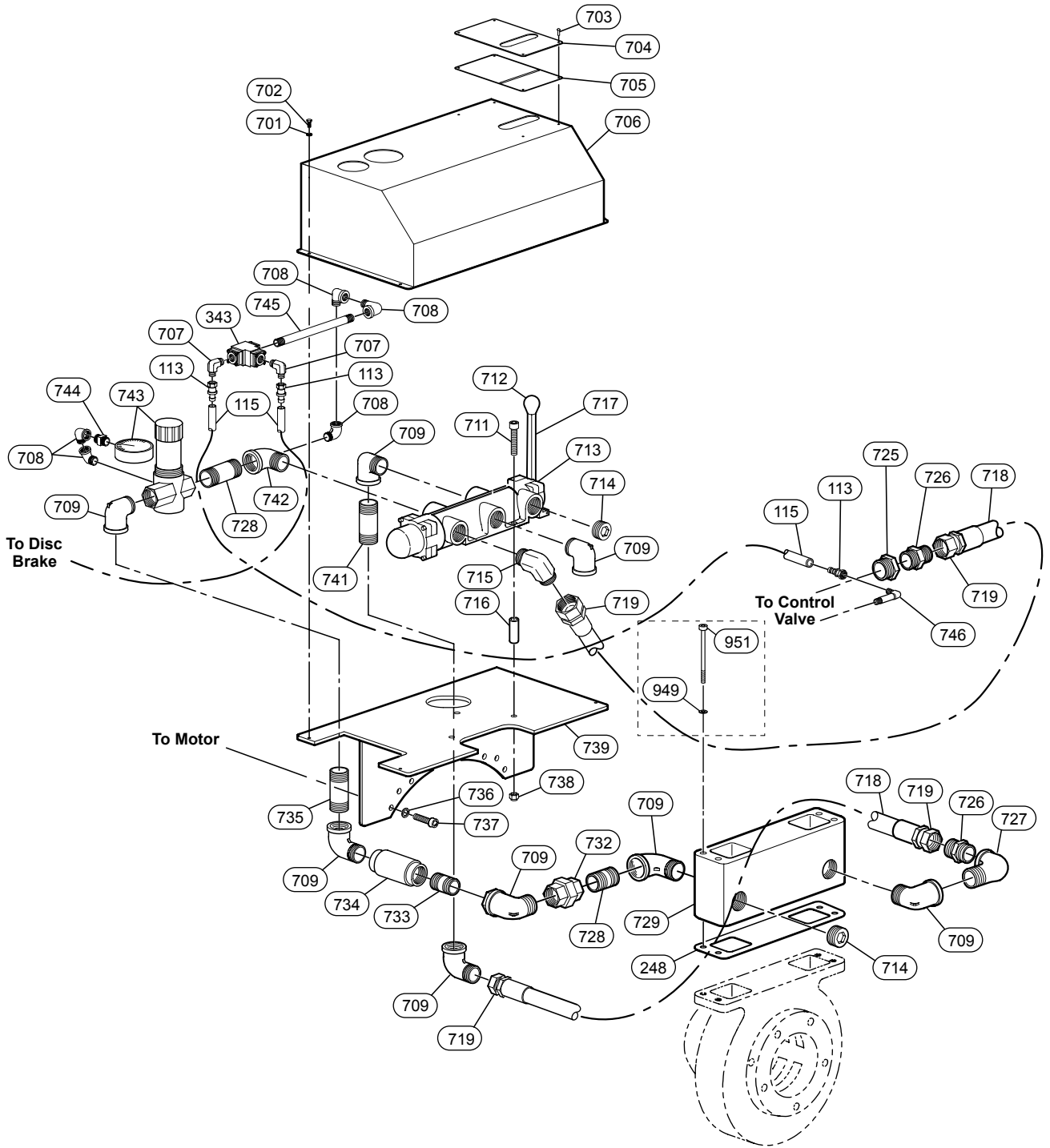
** Item not illustrated. Refer to Product Safety Information Manual.

Note: Requires special tool to install fitting into hose ends.

Air Preparation Assembly Service Kit List:

Item No.	Description of Part	Total Qty	Part Number (CCN)
1048	Replacement Kit: Air Preparation Assembly (include items: 575, 577, 578, 580, 581, 582, 583, 584, 585, 586, 587, 588)	1	382-31020-S (43803451)
1049	Winch Mounted FRL Hose Assy (include items: 586, 588)	1	47566848001
1050	Replacement Kit: Filter (include items: 575, 578)	1	47533243001
1051	Replacement Kit: Regulator (include items: 577, 578)	1	47533246001
1052	Replacement Kit : Lubricator (include items: 578, 580)	1	47533239001

CONSTANT TENSION ASSEMBLY DRAWING



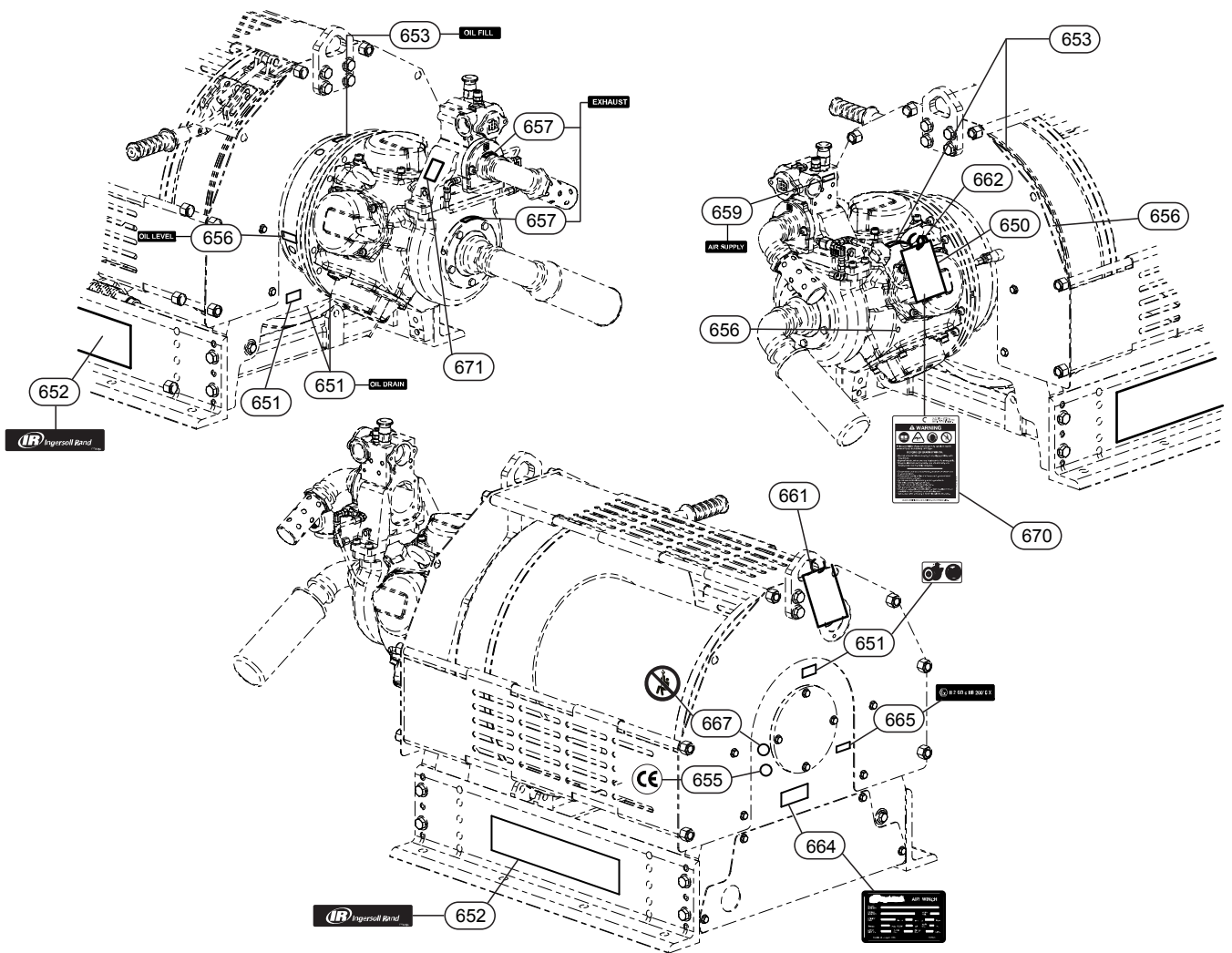
(Dwg. MHP2028)

CONSTANT TENSION ASSEMBLY PARTS LIST

Item No.	Description of Part	Total Qty	Part Number (CCN)
113	Fitting, Hose End	3	51029 (03990298)
115	Hose (bulk)	As Req'd	50923 (03990215)
248	Gasket	1	K5B-547 (03885258)
343	Shuttle Valve	1	50277 (03969466)
701	Washer	4	71320964
702	Capscrew	4	71127054
703	Rivet	6	50915 (03969557)
704	Label, Constant Tension	1	26217 (71329288)
705	Gasket	1	26216 (71329270)
706	Cover	1	26215 (71329262)
707	Fitting, Elbow	2	54869 (71065023)
708	Fitting, Elbow	5	52803 (03899721)
709	Fitting, Elbow	6	54243 (03895786)
711	Capscrew	3	71319073
712	Handle Ball	1	71138051
713	Valve	1	71316434
714	Plug	2	71069017
715	Fitting, Elbow	1	51001 (71224935)
716	Spacer	3	14998-8B (71322432)
717	Handle	1	26149 (71326706)
718	Hose (bulk)	As Req'd	51003 (03974763)
719	Fitting, Hose End	4	51002 (71065049)
725	Fitting, Bushing	1	51705 (71086367)
726	Fitting, Nipple	2	71308258
727	Fitting, Elbow	1	50928 (03895653)
728	Fitting, Nipple	2	50933 (03895661)
729	Manifold, Control Valve	1	25874 (71317028)
732	Union	1	71328330
733	Fitting, Nipple	1	71328314
734	Check Valve	1	71320915
735	Fitting, Nipple	1	71328249
736	Washer	4	71320956
737	Capscrew	4	71320949
738	Nut	3	71069132
739	Bracket	1	26095 (71325476)
741	Fitting, Nipple	1	71320907
742	Fitting, Elbow	1	26057 (71324719)
743	Regulator and Gauge *	1	71325047
744	Fitting, Connector	1	54943 (71233126)
745	Fitting, Tube Extension	1	71325591
746	Fitting, Elbow	1	71149975
946	Gasket	2	27115 (71351936)
949	Washer	4	51581 (71076749)
951	Capscrew	4	71328199

* Items not sold separately.

LABELS AND TAGS ASSEMBLY DRAWING AND PARTS LIST



(Dwg. MHP2718)

NOTICE

- MHP drawing is for reference only and may not have the same components as product shipped.

LABELS AND TAGS ASSEMBLY PARTS LIST

Item No.	Description of Part	Total Qty	Part Number (CCN)	Item No.	Description of Part	Total Qty	Part Number (CCN)
89	Rivet	4	71028849	661	Tag Kit, Drum Guard	1	382-31662 (71462360)
650	Tag Kit, Warning – Utility	1	29452 (71410567)	662	Tag, Check Oil Level	1	382-31664 (71462386)
	Tag Kit, Warning – Man Rider		29478 (71411607)	663	Label, Notice - Pressure Guage	1	45925260
651	Label, Overwind	2	71462725	664	Data (Name) Plate - Utility CE & -E	1	71373815
	Label, Underwind		71462733		Data (Name) Plate - Utility		71070643
652	Label, IR Logo 8 - 12 in. drum	2	71106272		Data (Name) Plate - MR & MRCE		71373831
	Label, IR Logo 16 - 20 in. drum		71106272	Data (Name) Plate - MR	71108849		
	Label, IR Logo 24 + in. drum		71109102	665	Label, ATEX (CE, MRCE & -E)	1	71427413
653	Label, Oil Fill	3	71042204	667	Label, Do Not Lift People - Utility	1	9618-0100 (38543872)
655	Label, CE and MRCE	1	9618-0096 (38543831)	668	Label, Oil Drain	3	71042188
656	Label, Oil Level	3	71043616	669	Tag Kit, Aftermarket	1	382-31663 (71462378)
657	Label, Exhaust	2	71042196	670	Tag, Encompass Inspected	1	71462709
659	Label, Air Supply	1	71046395	671	Label, Warning	1	71289326

Note 1: Not all labels are illustrated. Some labels are on component assembly drawings.

Note 2: Some labels may not be applicable to your product, refer to products date (name) plate and the Information Manual for specific model.

Note 3: For a replacement data (name) plate (664) a model and serial number are be required.

OVERHAUL AND ADDITIONAL KITS

Description of the Kit	Part Number (CCN)
Conversion Kit: Muffler FA2-E W/STD. THR (include items: 443, 445, 446, 447, 448, 449)	47566844001
Replacement Kit: 20 ft Full Flow Hose Assembly Kit (include items: 445, 446)	47574430001
Overhaul Kit: FA2i with Control Valve, Auto Disc Brake, and Auto/Manual Band Brake	47571166001
Overhaul Kit: FA2i with Control Valve and Auto Disc Brake	47571159001
Overhaul Kit: FA2i with Control Valve and Auto/Manual Band Brake	47571156001
Overhaul Kit: FA2i with PTV2 Control Valve, Auto Disc Brake, and Auto/Manual Band Brake	47571632001
Overhaul Kit: FA2i with PTV2 Control Valve and Auto Disc Brake	47571634001
Conversion Kit: FA2i PTV2 Remote Pilot Pendant (6ft)	47574432001

SERVICE NOTES

SERVICE NOTES
