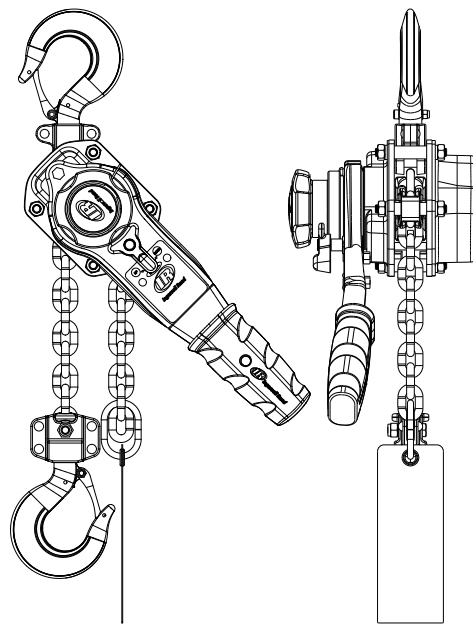


Product Parts Information



Lever Chain Hoists KL Series



(Dwg. MHP3278)



Save These Instructions



Form 48489009
Edition 2
December 2013
© 2013 Ingersoll-Rand

Only allow **Ingersoll Rand** trained technicians to perform maintenance on this product. For additional information contact **Ingersoll Rand** factory or nearest Distributor.

For additional supporting documentation refer to Table 1 'Product Information Manuals' on page 2.

Manuals can be downloaded from <http://www.ingersollrandproducts.com>.

The use of other than genuine **Ingersoll Rand** replacement parts may result in safety hazards, decreased performance and increased maintenance and will invalidate all warranties.

Original instructions are in English. Other languages are a translation of the original instructions.

Refer all communications to the nearest **Ingersoll Rand** Office or Distributor.

Table 1: Product Information Manuals

Publication	Part/Document Number	Publication	Part/Document Number
Product Safety Information Manual	48488993	Product Maintenance Information Manual	48496368
Product Information Manual	48488878		

TABLE OF CONTENTS

Description	Page No.	Dwg. Name	Page No.
Parts Ordering Information	3		
Hoist Assembly Parts Drawing	4	(Dwg. MHP3279)	4
Hoist Assembly Parts List (0.75 to 1.5 ton)	5		
Hoist Assembly Parts List (0.75 to 1.5 ton)	6		
Hoist Assembly Parts List (3 to 9 ton)	7		
Hoist Assembly Parts List (3 to 9 ton)	8		
Top and Bottom Hook Assembly Drawings	9	(Dwgs. MHP3283 and MHP3284)	9
Top and Bottom Hook Assembly Parts List (0.75 to 1.5 ton)	10		
Top and Bottom Hook Assembly Parts List (3 to 9 ton)	11		

PARTS ORDERING INFORMATION

These products are designed and constructed to provide long, trouble-free service. In time it may be necessary to order and install new parts to replace those that have been subjected to wear.

For your convenience and future reference, it is recommended that the following information be recorded.

Model Number _____

Serial Number _____

Date Purchase _____

When ordering replacement parts, please specify the following:

1. Complete model number and serial number as it appears on the data (name) plate.
2. Part number(s) and part description as shown in this manual.
3. Quantity required.

The data (name) plate is located on the product.

NOTICE

- **Continuing improvement and advancement of design may cause changes to this equipment which are not included in this manual. Manuals are periodically revised to incorporate changes. Always check the manual edition number on the front cover for the latest issue.**
- **Sections of this manual may not apply to your product.**
- **The use of other than genuine Ingersoll Rand replacement parts may result in safety hazards, decreased performance and increased maintenance, and will invalidate all warranties.**

■ Return Goods Policy

Ingersoll Rand will not accept any returned goods for warranty or service unless prior arrangements have been made and written authorization has been provided from the location the goods were purchased.

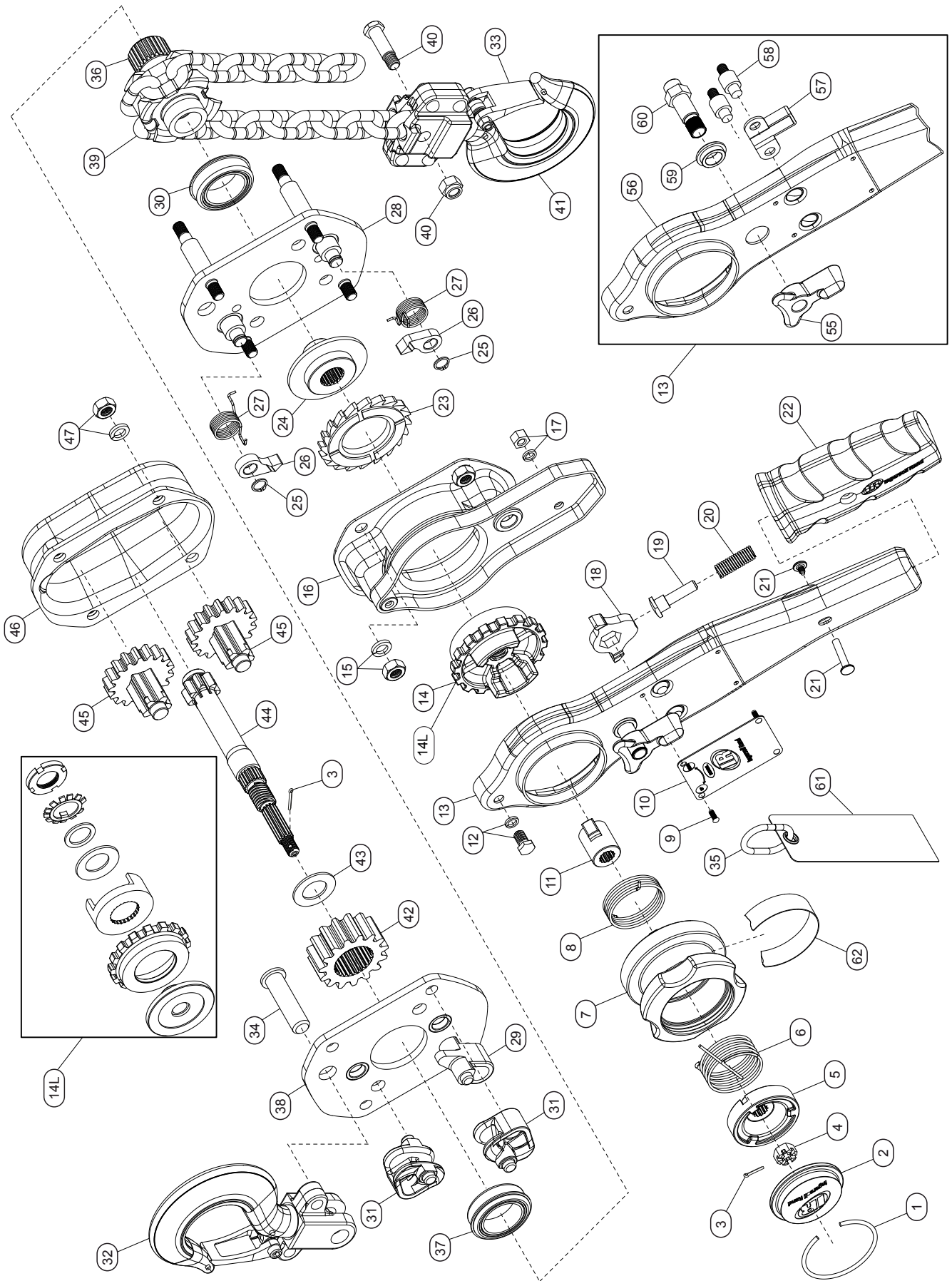
Products that have been modified without **Ingersoll Rand** approval, mishandled or overloaded will not be repaired or replaced under warranty. A printed copy of the warranty that applies to this product is provided inside the back cover of the product information manual or in some cases the parts manual.

■ Disposal



When the life of the product has expired, it is recommended that it be disassembled, degreased and parts separated as to materials so that they may be recycled.

HOIST ASSEMBLY PARTS DRAWING



(Dwg. MHP3279)

HOIST ASSEMBLY PARTS LIST (0.75 TO 1.5 TON)

Item No.	Description of Part	Total Qty.	Part Number		
			0.75 ton	1 ton	1.5 ton
1	Retainer Ring	1	48488977		
2	Free Knob Center Cap	1	48488951		
3	Split Pin	1	48491914		
4	Castle Nut	1	48491922		
5	Twisting Spring Housing	1	48491955		
6	Spring I	1	48491997		
7	Free Knob	1	48488936		
8	Spring II	1	48492037		
9	Rivet	4	48492052		
10	Nameplate	1	48485163 *	46817748 *	46817755 *
			48485239 **	48484679 **	48485098 **
			---	---	48487706 †
			---	---	48487714 ††
11	Cam Guide	1	48492128		
12	Capscrew & Washer	1	48492144		
13	Lever Handle Assembly (Note 1)	1	48492177	48492185	
14	Change Gear	1	48492268		
14L	Overload Limiter Assembly	1	48492292	48492300	48492318
15	Nut & Washer	4	48492367		
16	Brake Cover Assembly	1	48492375	48492391	
17	Nut & Washer	2	48492417		
18	Change Pawl	1	48492524		
19	Push Pin	1	48492540		
20	Push Spring	1	48492565		
21	Bolt & Nut	1	48492581		
22	Grip	1	48487805	48487813	
23	Fused Brake Disc	1	48492631		
24	Brake Hub	1	48492656		
25	Snap Ring	2	48492672	48492680	
26	Brake Pawl	2	48492706		
27	Brake Spring	2	48492722		
28	Side Plate A Assembly (Note 2)	1	48492748	48492755	
29	Chain Stripper	1	48492771	48492789	
30	Caged Bearing I	1	---		
31	Load Chain Guide	2	48492839	48492847	
32	Top Hook Assembly (Note 3)	1	48492862#	48492870#	48492888#
			---	---	48491294##
			48499610###	48499636###	48499651###
33	Cast Latch Kit	1	48492938	48492946	48492953
34	Hook Pin	1	48492995		
35	Chain Stopper	1	48493027	48493035	
36	Load Sheave	1	48493050	48493068	
37	Caged Bearing II	1	---		
38	Side Plate B Assembly (Note 4)	1	48493118	48493126	
39	Load Chain	AR	48487417	48487433	
40	Load Pin & Nut	1	48493142		
41	Bottom Hook Assembly (Note 5)	1	48493183#	48493191#	48493209#
			---	---	48491351##
			48499628###	48499644###	48499669###
42	Load Gear	1	48493241		
43	Pinion Shaft Washer	1	48493274		
44	Pinion Shaft	1	48493308		
45	Disc Gear	2	48493332		
46	Gear Cover Assembly	1	48493365		

* without overload clutch

** with overload clutch

† with shipyard hooks

†† with overload clutch and shipyard hooks

with standard hook

with shipyard hook

with spark resistant standard hook

Note 1: Includes items 55, 56, 57, 58, 59, and 60. **Note 2:** Includes item 30. **Note 3:** Includes items 33, 34, 48, 49, 50, 51, 52, 53, and 54.

Note 4: Includes item 37. **Note 5:** Includes items 33, 40, 49, 50, 51, 52, 53, and 54. **AR** As Required

HOIST ASSEMBLY PARTS LIST (0.75 TO 1.5 TON)

Item No.	Description of Part	Total Qty.	Part Number		
			0.75 ton	1 ton	1.5 ton
47	Nut & Washer	4	48493399		
48	Top Hook Pin & Nut	1	---		
49	Yolk Bolt	1 Set	---		
50	Nut & Washer	1 Set	---		
51	Idle Sheave	1	---		
52	Spring Pin	1 Set	---		
53	Idle Shaft	1	---		
54	Needle Bearing	1 Set	---		
55	Selector	1	---		
56	Lever Handle	1	---		
57	Spring Housing	1	---		
58	Socket Bolt	1	---		
59	Washer	1	---		
60	Selector Shaft	1	---		
61	Warning Tag	1	48488886		
62	Free Knob Label	1	48488746		

Note 1: Includes items 55, 56, 57, 58, 59, and 60.

Note 2: Includes item 30.

Note 3: Includes items 33, 34, 48, 49, 50, 51, 52, 53, and 54.

Note 4: Includes item 37.

Note 5: Includes items 33, 40, 49, 50, 51, 52, 53, and 54.

AR As Required

HOIST ASSEMBLY PARTS LIST (3 TO 9 TON)

Item No.	Description of Part	Total Qty.	Part Number		
			3 ton	6 ton	9 ton
1	Retainer Ring	1	48488985		
2	Free Knob Center Cap	1	48488969		
3	Split Pin	1	48491914		
4	Castle Nut	1	48491930		
5	Twisting Spring Housing	1	48491963		
6	Spring I	1	48492003		
7	Free Knob	1	48488944		
8	Spring II	1	48492045		
9	Rivet	4	48492052		
10	Nameplate	1	46817763 *	48485171 *	48485189 *
			48485106 **	48485247 **	48485254 **
			48487722 †	---	---
			48487730 ††	---	---
11	Cam Guide	1	48492136		
12	Capscrew & Washer	1	48492169		
13	Lever Handle Assembly (Note 1)	1	48492250		
14	Change Gear	1	48492276		
14L	Overload Limiter Assembly	1	48492326	48492334	48492342
15	Nut & Washer	4	48492367		
16	Brake Cover Assembly	1	48492409		
17	Nut & Washer	2	48492482		
18	Change Pawl	1	48492532		
19	Push Pin	1	48492557		
20	Push Spring	1	48492573		
21	Bolt & Nut	1	48492599		
22	Grip	1	48487821		
23	Fused Brake Disc	1	48492649		
24	Brake Hub	1	48492664		
25	Snap Ring	2	48492698		
26	Brake Pawl	2	48492714		
27	Brake Spring	2	48492730		
28	Side Plate A Assembly (Note 2)	1	48492763		
29	Chain Stripper	1	48492797		
30	Caged Bearing I	1	---		
31	Load Chain Guide	2	48492854		
32	Top Hook Assembly (Note 3)	1	48492896#	48492904#	48492912#
			48492011##	---	---
			48499677###	---	---
33	Cast Latch Kit	1	48492961	48492979	48492987
34	Hook Pin	1	48493019		
35	Chain Stopper	1	48493043		
36	Load Sheave	1	48493076		
37	Caged Bearing II	1	---		
38	Side Plate B Assembly (Note 4)	1	48493134		
39	Load Chain	AR	48487474		
40	Load Pin & Nut	1	48493167	---	48493175
41	Bottom Hook Assembly (Note 5)	1	48493217#	48493225#	48493233#
			48492029##	---	---
			48499685###	---	---
42	Load Gear	1	48493266		
43	Pinion Shaft Washer	1	48493290		
44	Pinion Shaft	1	48493324		
45	Disc Gear	2	48493357		

- * without overload clutch # with standard hook
 ** with overload clutch ## with shipyard hook
 † with shipyard hooks ### with spark resistant standard hook
 †† with overload clutch and shipyard hooks

Note 1: Includes items 55, 56, 57, 58, 59, and 60. **Note 2:** Includes item 30. **Note 3:** Includes items 33, 34, 48, 49, 50, 51, 52, 53, and 54. **Note 4:** Includes item 37. **Note 5:** Includes items 33, 40, 49, 50, 51, 52, 53, and 54. **AR** As Required

HOIST ASSEMBLY PARTS LIST (3 TO 9 TON)

Item No.	Description of Part	Total Qty.	Part Number		
			3 ton	6 ton	9 ton
46	Gear Cover Assembly	1	48493381		
47	Nut & Washer	4	48493399		
48	Top Hook Pin & Nut	1	---	48493407	---
49	Yolk Bolt	1 Set	---		
50	Nut & Washer	1 Set	---		
51	Idle Sheave	1	---		
52	Spring Pin	1 Set	---		
53	Idle Shaft	1	---		
54	Needle Bearing	1 Set	---		
55	Selector	1	---		
56	Lever Handle	1	---		
57	Spring Housing	1	---		
58	Socket Bolt	1	---		
59	Washer	1	---		
60	Selector Shaft	1	---		
61	Warning Tag	1	48488886		
62	Free Knob Label	1	48488753		

Note 1: Includes items 55, 56, 57, 58, 59, and 60.

Note 2: Includes item 30.

Note 3: Includes items 33, 34, 48, 49, 50, 51, 52, 53, and 54.

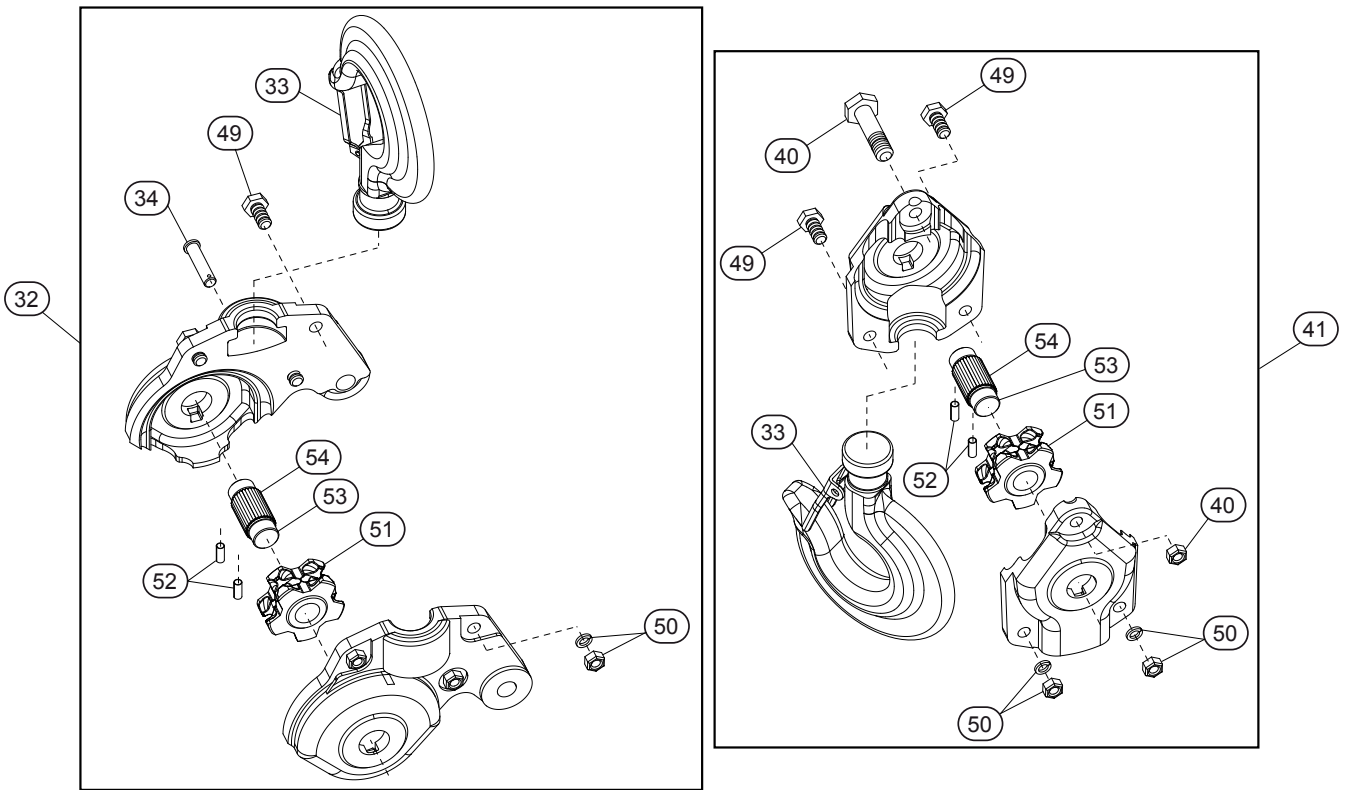
Note 4: Includes item 37.

Note 5: Includes items 33, 40, 49, 50, 51, 52, 53, and 54.

AR As Required

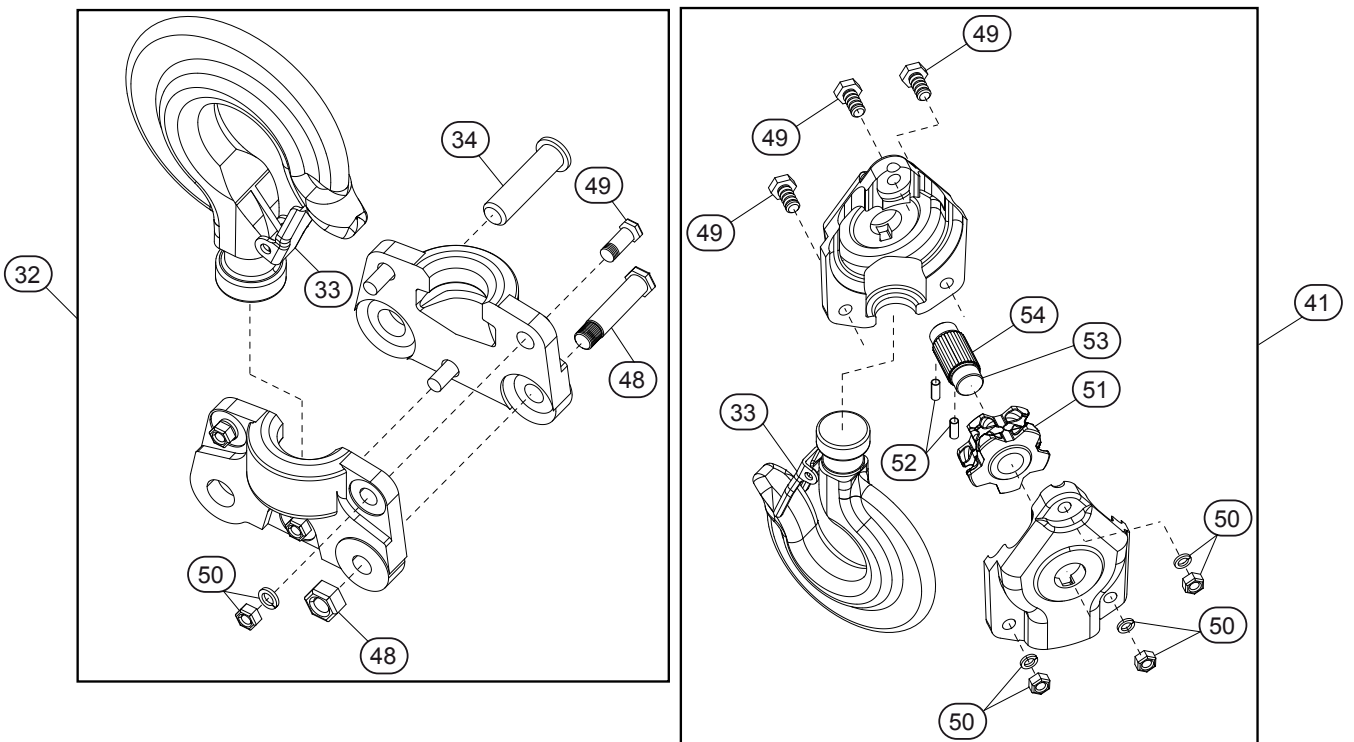
TOP AND BOTTOM HOOK ASSEMBLY DRAWINGS

9 ton Top and Bottom Hook



(Dwg. MHP3283)

6 ton Top and Bottom Hook



(Dwg. MHP3284)

TOP AND BOTTOM HOOK ASSEMBLY PARTS LIST (0.75 TO 1.5 TON)

Item No.	Description of Part	Total Qty.	Part Number		
			0.75 ton	1 ton	1.5 ton
32	Top Hook Assembly	1	48492862	48492870	48492888
33	Cast Latch Kit	1	48492938	48492946	48492953
34	Hook Pin	1	48492995		48493001
48	Top Hook Pin & Nut	1	---		
49	Yolk Bolt	1 Set	---		
50	Nut & Washer	1 Set	---		
51	Idle Sheave	1	---		
52	Spring Pin	1 Set	---		
53	Idle Shaft	1	---		
54	Needle Bearing	1 Set	---		
41	Bottom Hook Assembly	1	48493183	48493191	48493209
40	Load Pin & Nut	1	48493142		48493159
49	Yolk Bolt	1 Set	---		
50	Nut & Washer	1 Set	---		
51	Idle Sheave	1	---		
52	Spring Pin	1 Set	---		
53	Idle Shaft	1	---		
54	Needle Bearing	1 Set	---		

TOP AND BOTTOM HOOK ASSEMBLY PARTS LIST (3 TO 9 TON)

Item No.	Description of Part	Total Qty.	Part Number		
			3 ton	6 ton	9 ton
32	Top Hook Assembly	1	48492896	48492904	48492912
33	Cast Latch Kit	1	48492961	48492979	48492987
34	Hook Pin	1	48493019		
48	Top Hook Pin & Nut	1	---	48493407	---
49	Yolk Bolt	1 Set	---	48493415	
50	Nut & Washer	1 Set	---	48493423	
51	Idle Sheave	1	48493431		
52	Spring Pin	1 Set	---	48493449	
53	Idle Shaft	1	---	48493456	
54	Needle Bearing	1 Set	---	48493464	
41	Bottom Hook Assembly	1	48493217	48493225	48493233
40	Load Pin & Nut	1	48493167	---	48493175
49	Yolk Bolt	1 Set	---	48493415	
50	Nut & Washer	1 Set	---	48493423	
51	Idle Sheave	1	48493431		
52	Spring Pin	1 Set	---	48493449	
53	Idle Shaft	1	---	48493456	---
54	Needle Bearing	1 Set	---	48493464	---

