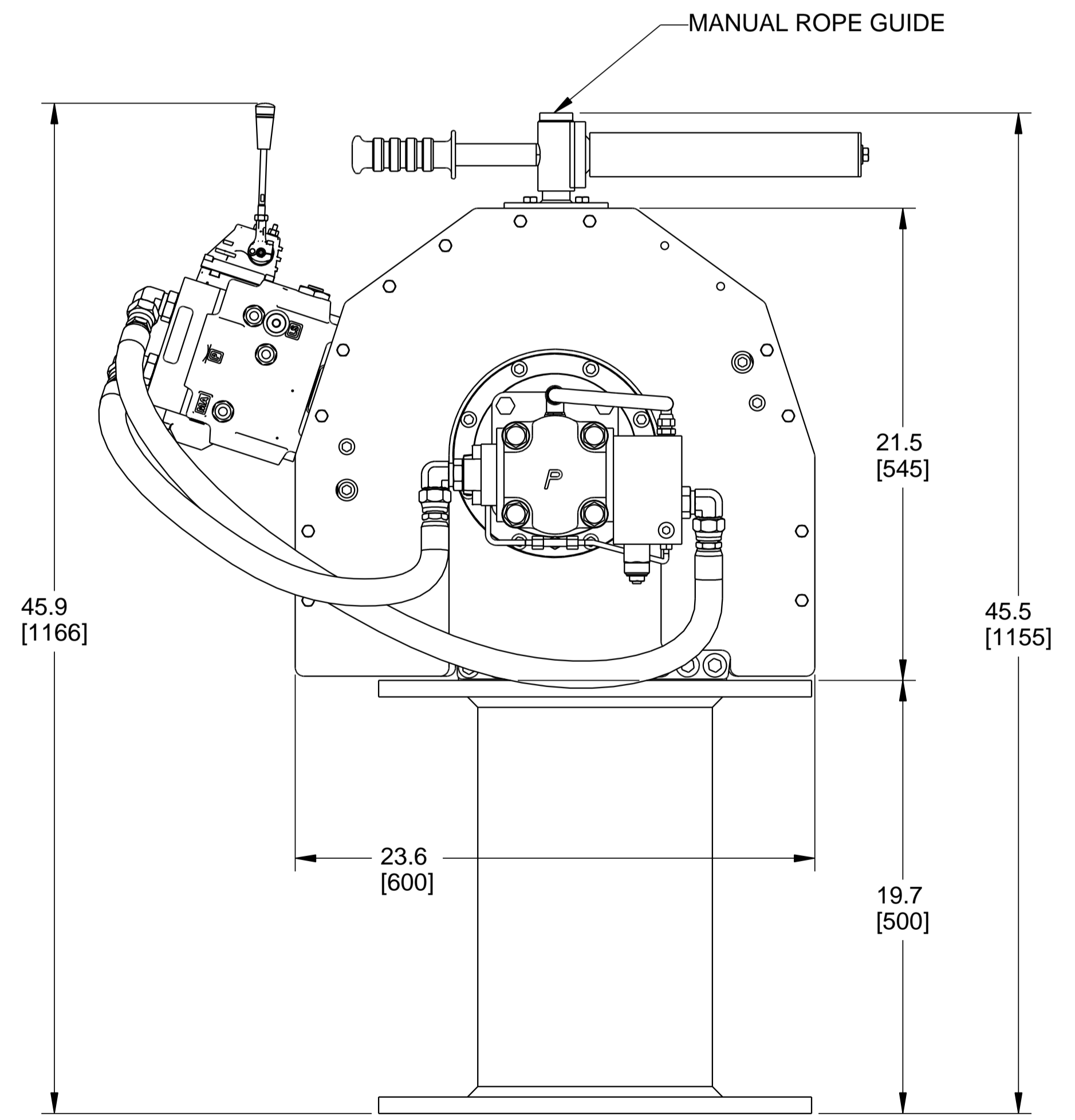
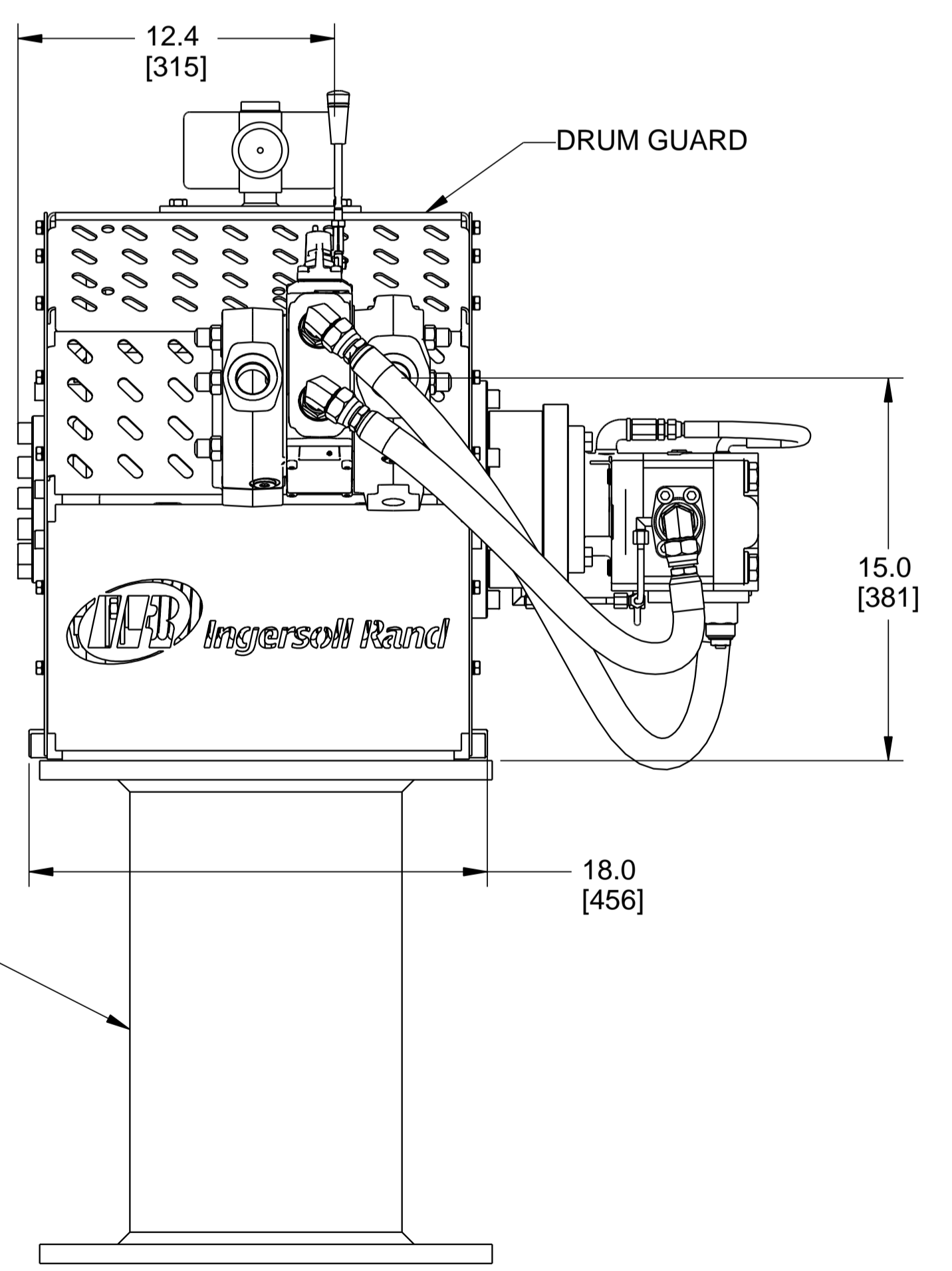
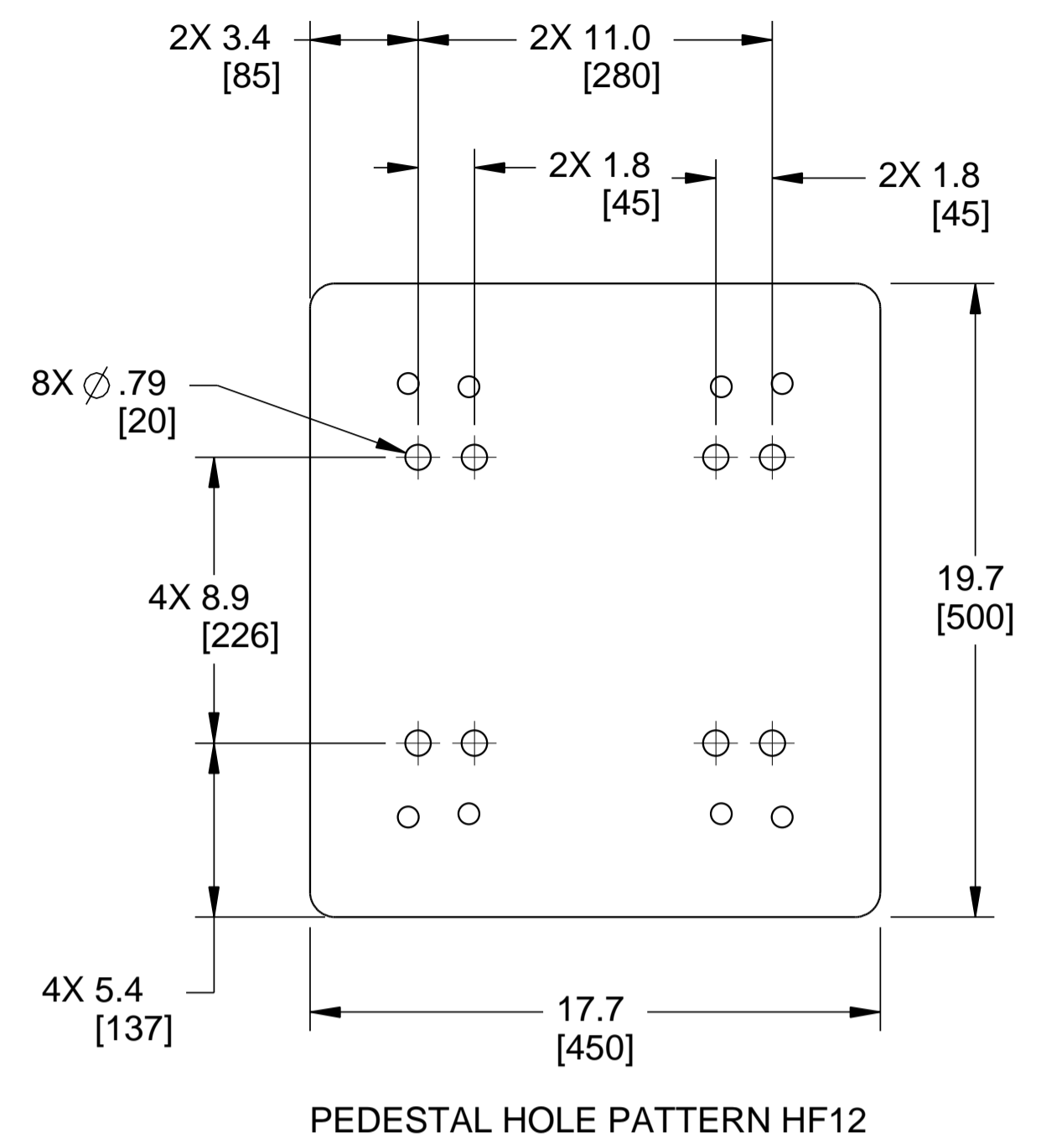
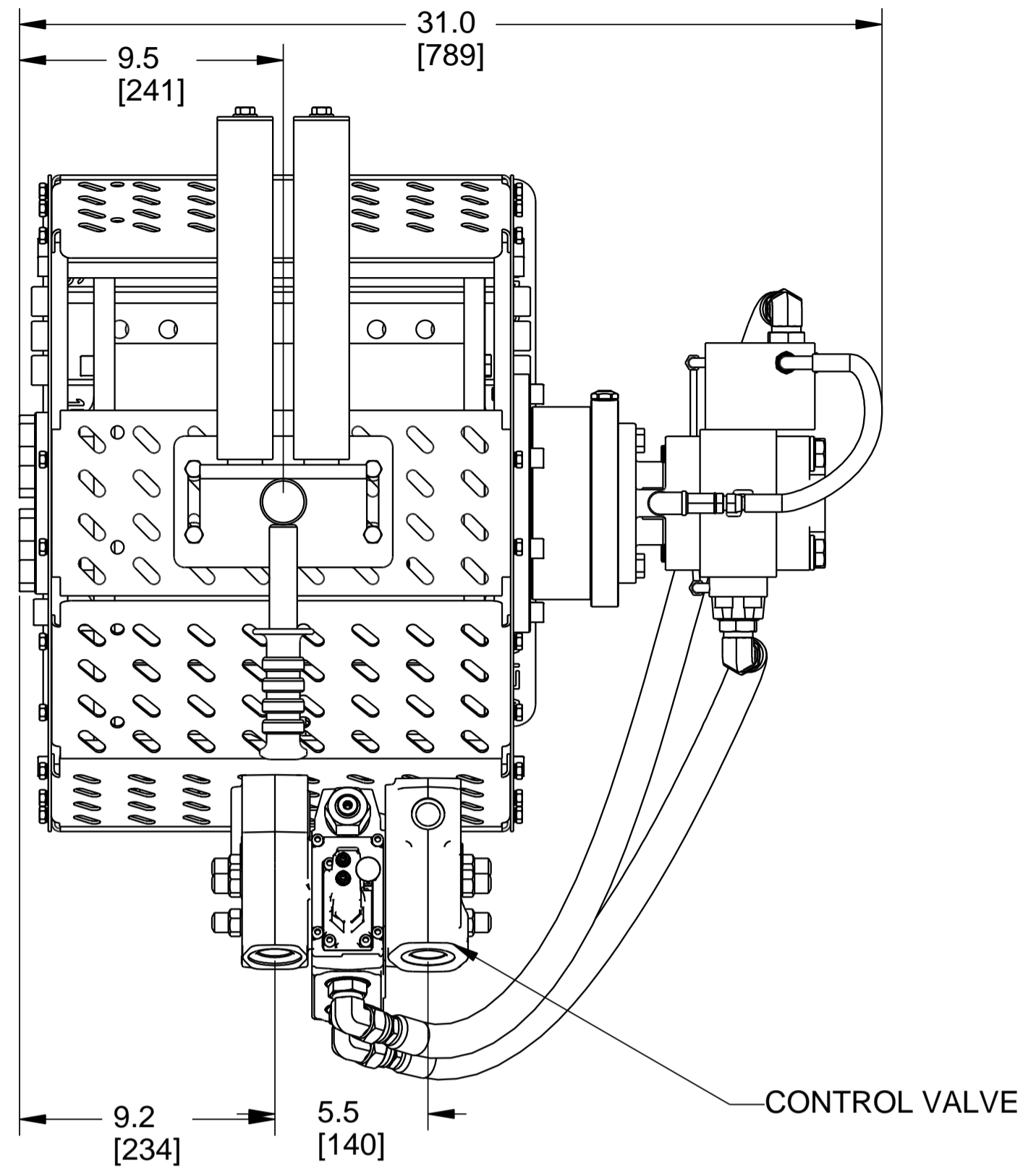


NOTES :

REVISIONS					
ZONE	REV	ECN	DESCRIPTION	DATE	APPROVED
	A		ORIGINAL RELEASE	05-Apr-17	



PEDESTAL BASE (SHORTER BASES AVAILABLE)

WARNING: THE EXPORT OR REEXPORT OF THIS DRAWING OR A PRODUCT PRODUCED BY THIS DRAWING IS SUBJECT TO U.S. EXPORT ADMINISTRATION REGULATIONS AND OTHER APPLICABLE GOVERNMENT RESTRICTIONS OR REGULATIONS.

PROPRIETARY NOTICE

THIS DRAWING CONTAINS CONFIDENTIAL AND TRADE SECRET INFORMATION, IS THE PROPERTY OF INGERSOLL-RAND CO., AND IS GIVEN TO THE RECEIVER IN CONFIDENCE. THE RECEIVER BY RECEPTION AND RETENTION OF THE DRAWING ACCEPTS THE DRAWING IN CONFIDENCE AND AGREES THAT, EXCEPT AS AUTHORIZED IN WRITING BY INGERSOLL-RAND CO. IT WILL (1) NOT USE THE DRAWING OR ANY COPY THEREOF OR THE CONFIDENTIAL OR TRADE SECRET INFORMATION THEREIN; (2) NOT COPY THE DRAWING; (3) NOT DISCLOSE TO OTHERS EITHER THE DRAWING OR THE CONFIDENTIAL OR TRADE SECRET INFORMATION THEREIN; AND (4) UPON COMPLETION OF THE NEED TO RETAIN THE DRAWING, OR UPON DEMAND, RETURN THE DRAWING, ALL COPIES THEREOF, AND ALL MATERIAL COPIED THEREFROM.

DO NOT SCALE DRAWING
DRAWING CONFORMS TO ASME Y14.5M - 1994

CAD GENERATED DRAWING, NO MANUAL REVISIONS ALLOWED

UNLESS OTHERWISE SPECIFIED:
- REMOVE ALL BURRS AND SHARP CORNERS
- WELD SYMBOLS TO BE IN ACCORDANCE WITH ANSI/AWS A2.4

COPYRIGHT © 2017
Ingersoll Rand
ALL RIGHTS RESERVED

THIRD ANGLE PROJECTION	
DRAWN SDLS	DATE APR 5 2017
CHECKED	DATE
APPROVED	DATE
DRAWING TYPE Detail Drawing NOMENCLATURE	

IR Ingersoll Rand

HF12 FULL ASSEMBLY WITH ACCESSORIES

SIZE A1	ESTIMATED WEIGHT (KG UNLESS OTHERWISE SPECIFIED)	DWG NO. 47605741001	REVISION A
SCALE 0.20	MODEL	SHEET	1 OF 1

HF12 FULL AS