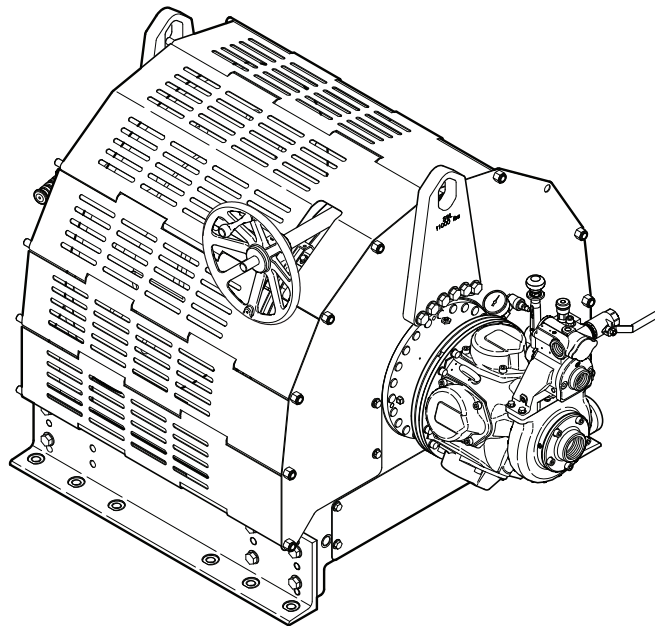


Force5i™ Winch Series

Model FA10i



Product Parts Information



Save These Instructions



Form MHD56400
Edition D
February 2019
CCN 45878592

Only allow **Ingersoll Rand** trained technicians to perform maintenance on this product. For additional information contact **Ingersoll Rand** factory or nearest Distributor.

For additional supporting documentation refer to **Table 1, p. 2.**

Manuals can be downloaded from www.irmhdocs.skysite.com

The use of other than genuine **Ingersoll Rand** replacement parts may result in safety hazards, decreased performance and increased maintenance and will invalidate all warranties.

Original instructions are in English. Other languages are a translation of the original instructions.

Refer all communications to the nearest **Ingersoll Rand** Office or Distributor.

Table 1. Product Information Manuals

Publication	Part/Document Number (CCN)
Product Safety Information Manual (Non-Man Rider)	MHD56250 (71402598)
Product Information Manual	MHD56399 (45878584)
Product Maintenance Information Manual	MHD56401 (45878600)
Product Safety Information Manual (Man Rider)	MHD56251 (71402606)

Table of Contents

Parts Ordering Information	5
Return Goods Policy	5
Disposal	5
Drum, Base and Reduction Gear Assembly Drawing	6
Drum, Base and Reduction Gear Assembly Parts List.....	7
Drum and Siderail Parts List.....	9
Motor Assembly Drawing	10
Motor Assembly Parts List.....	11
Disc Brake Assembly Drawing.....	13
Disc Brake Assembly Parts List	14
Manual Band Brake (optional) Assembly Drawing.....	15
Manual Band Brake (optional) Assembly Parts List	16
Automatic Band Brake (optional) Assembly Drawing	17
Automatic Band Brake (optional) Assembly Parts List	18
Control Valve Assembly Drawing.....	20
Control Valve Assembly Parts List.....	21
Emergency Stop and Overload Control Valve Assembly Drawing (-E Model)	23
Emergency Stop and Overload Control Valve Assembly Parts List.....	24
Full Flow Remote Control Valve Assembly Drawing and Parts List.....	27
Pendant Operated Overload (optional) Assembly Drawing and Parts List.....	28
Shut-Off Valve Assembly Drawing and Parts List.....	29
Pendant Operated Pilot Control Valve (optional) Assembly Drawing	30
Pendant Operated Pilot Control Valve (optional) Drawing and Parts List.....	31
Two Lever Remote Pendant (optional) Assembly Drawings	33
Two Lever Remote Pendant (optional) Assembly Parts List.....	34
Limit Switch (optional) Assembly Drawing	35
Limit Switch (optional) Assembly Parts List	36
K5C2-EXLP/MRCE Connection Assembly Drawing	38
K5C2-EXLP/MRCE Connection Assembly Parts List	39
Drum Locking Pin (optional) Assembly Drawing and Parts List	40
Press Roller Assembly Drawing	41
Press Roller Assembly Parts List.....	42
Underwind Reversing Manifold (optional) Assembly Drawing and Parts List	44
Drum Guard Assembly Drawing.....	45
Drum Guard Assembly Parts List	46

Table of Contents

Drum Guard Assembly Drawing	47
Drum Guard Assembly Parts List	48
Label and Tags Drawing	50
Label and Tags Parts List	51
Air Preparation Assembly Drawing	52
Air Preparation Assembly Parts List	53
Construction Cage (optional) Assembly Drawing and Parts List	54
Kits and Accessories	55
Warranty	56

Parts Ordering Information

These products are designed and constructed to provide long, trouble-free service. In time it may be necessary to order and install new parts to replace those that have been subjected to wear.

For your convenience and future reference, it is recommended that the following information be recorded.

Model Number _____

Serial Number _____

Date Purchase _____

When ordering replacement parts, please specify the following:

1. Complete model number and serial number as it appears on the data (name) plate.
2. Part number(s) and part description as shown in this manual.
3. Quantity required.

The data (name) plate is located on the product.

NOTICE

!

- **Continuing improvement and advancement of design may cause changes to this equipment which are not included in this manual. Manuals are periodically revised to incorporate changes. Always check the manual edition number on the front cover for the latest issue.**
- **Sections of this manual may not apply to your product.**
- **The use of other than genuine Ingersoll Rand replacement parts may result in safety hazards, decreased performance and increased maintenance, and will invalidate all warranties.**

Return Goods Policy

Ingersoll Rand will not accept any returned goods for warranty or service unless prior arrangements have been made and written authorization has been provided from the location the goods were purchased.

Products that have been modified without **Ingersoll Rand** approval, mishandled or overloaded will not be repaired or replaced under warranty. A printed copy of the warranty that applies to this product is provided inside the back cover of the product information manual or in some cases the parts manual.

Disposal

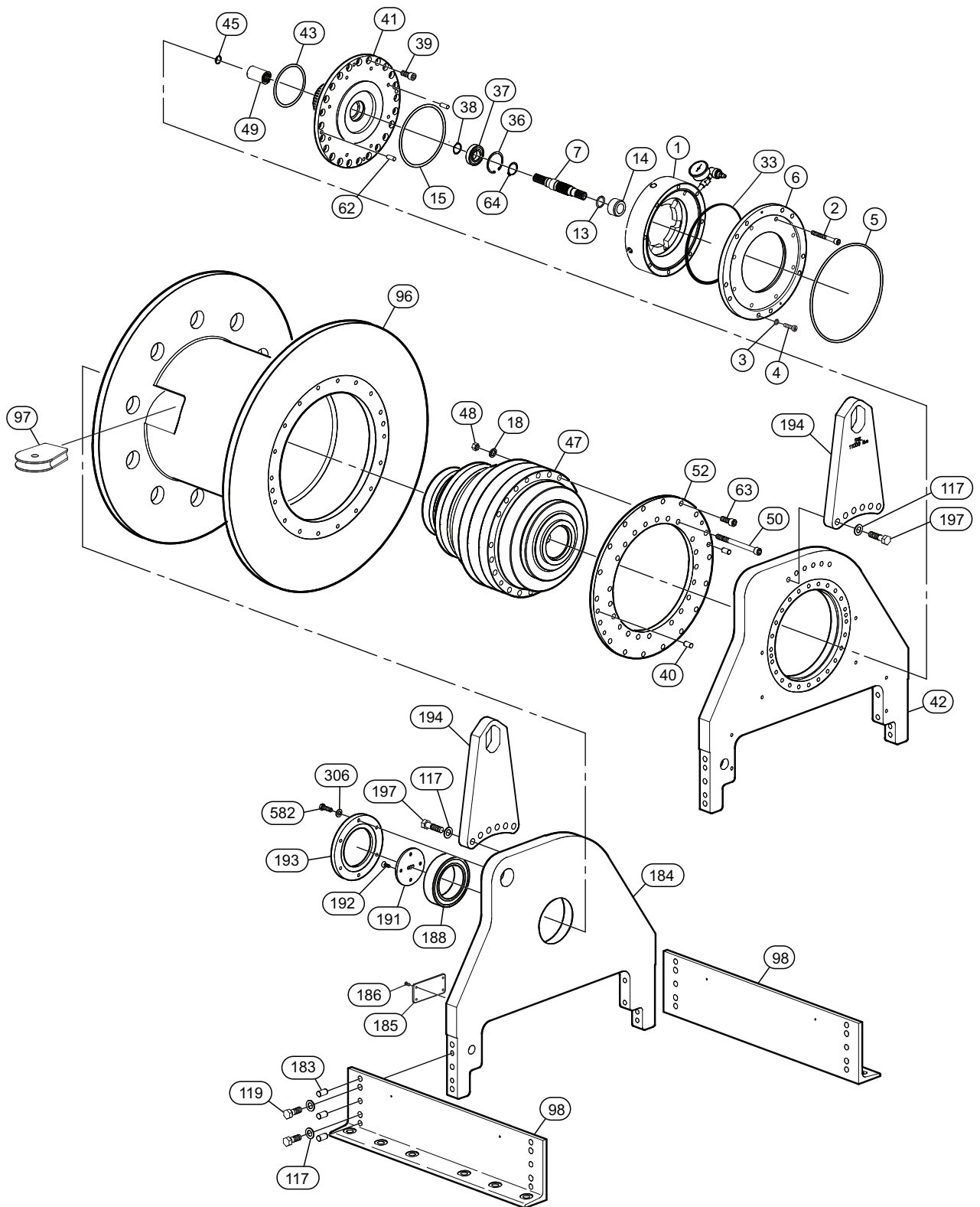


When the life of the product has expired, it is recommended that it be disassembled, degreased and parts separated as to materials so that they may be recycled.

For additional information contact:

Ingersoll Rand
Douai Operations
529, Avenue Roger Salengro
59450 Sin Le Noble, France
Phone: (33) 03-27-93-08-08
Fax: (33) 03-27-93-08-00

Drum, Base and Reduction Gear Assembly Drawing



(Dwg. MHP2948)

Drum, Base and Reduction Gear Assembly Parts List

Item No.	Description of Part	Total Qty.	Part Number (CCN)
1	Brake Housing ^(a)	1	382-32457 (71479729)
2	Capscrew (with disc brake)	8	71087100
3	Lockwasher	10	51607 (71225973)
4	Capscrew	10	71268205
5 ^(b)	'O' Ring	1	51459 (03980588)
6	Motor Adapter	1	14227 (71062566)
7	Input Shaft (with Disc Brake) ^(a)	1	11595 (71130454)
13 ^(b)	'O' Ring (Drive Shaft)	1	52537 (03968617)
14	Seal Sleeve	1	11711 (03969110)
15 ^(b)	'O' Ring	1	51460 (03980596)
18	Washer	35	03933017
33 ^(b)	'O' Ring	1	51458 (03974805)
36	Retainer Ring	1	52678(03962537)
37	Bearing	1	50998(03978905)
38	Retainer Ring	1	51761
39	Capscrew	24	45932928
40	Pin, Dowel	2	71460554
41	Drum Shaft ^(a)	1	382-37635 (45986080)
42	Upright, Inboard ^(a)	1	382-32994 (43812569)
43 ^(b)	'O' Ring	1	52730 (03935095)
45	Retainer Ring	1	52541 (03962529)
47	Reduction Gear Assembly	1	47524905001
48	Nut	35	47645200001
49	Coupling ^(a)	1	11901 (03963048)
50	Capscrew	35	47645199001
52	Adapter ^(a)	1	382-37633 (45986064)
62	Pin, Dowel	2	52334 (71077275)
63	Capscrew	18	71458194
64	Retainer Ring	1	51192 (03980505)
96	Drum ^(a)	1	(c)
97	Wire Rope Anchor - 1-1/8 inch	1	382-33285 (45874237)
	Wire Rope Anchor - 7/8 and 1 inch		382-33286 (45874245)
	Wire Rope Anchor - 3/4 inch		382-33287 (45874252)
98	Siderail	2	(c)
117	Washer	20	71343768
119	Capscrew	8	71449912
183	Pin, Dowel	12	53770 (71229744)
184	Upright, Outboard ^(a)	1	382-33045 (45870243)
	Upright, Outboard ^(a) (with drum lock)	1	382-33045-L (45870540)
185	Nameplate	1	71070643

Drum, Base and Reduction Gear Assembly Parts List

Item No.	Description of Part	Total Qty.	Part Number (CCN)
186	Screw, Drive	4	71028849
188	Bearing	1	45887874
191	Bearing Retainer	1	382-33138 (45871654)
192	Screw	4	50964 (71224893)
193	End Cover	1	382-32264 (71476410)
	End Cover (limit switch)	1	382-32265 (71476428)
194	Lifting Lug ^(a)	2	382-33500 (45879590)
197	Capscrew	12	45879939
306	Washer	6	52914 (71086466)
582	Capscrew	6	71391080
- - -	Spacer (no disc brake)	1	382-37449 (45975851)

^(a) These parts also come in a cold weather version. Refer to model code. Adding CW (DNV) or CW (ABS) to the end of these part numbers is required to retain winch cold weather certification. Example: Order Drum Shaft item (41) part number 382-37635 (45986080) as part number 14167CW.

^(b) Recommended spare for one winch, 2 years of normal operation.

^(c) Refer to "DRUM AND SIDERAIL PARTS LIST" on page 6.

Certification Type	Example Part Number To Order	
ABS	- - -	14167CW
DNV	14167CW	- - -

Table 2. Drum, Base And Reduction Gear Assembly Kit List:

Item No.	Description of Part	Total Qty.	Part Number (CCN)
1000	Service Kit: Frame (included in Overhaul Kits) (include items: 2, 3, 4, 5, 13, 15, 33, 36, 37, 38, 45, 43, 64, 117, 119, 183, 188, 192, 306, 582)	1	47577861001

Drum and Siderail Parts List

Drum (Item 96) With Band Brake	Part Number (CCN)	Drum (Item 96) Without Band Brake ^(a)	Part Number (CCN)
Drum (24 inch) ^(b)	382-32503-5 (45875937)	Drum (24 inch) ^(b)	382-32504-5 (45876018)
Drum (30 inch) ^(b)	382-32503-6 (45875945)	Drum (30 inch) ^(b)	382-32504-6 (45876026)
Drum (36 inch) ^(b)	382-32503-10 (45875960)	Drum (36 inch) ^(b)	382-32504-10 (45876042)
Drum (40 inch) ^(b)	382-32503-8 (45875952)	Drum (40 inch) ^(b)	382-32504-8 (45876034)
Drum (50 inch) ^(b)	Contact Factory	Drum (50 inch) ^(b)	Contact Factory

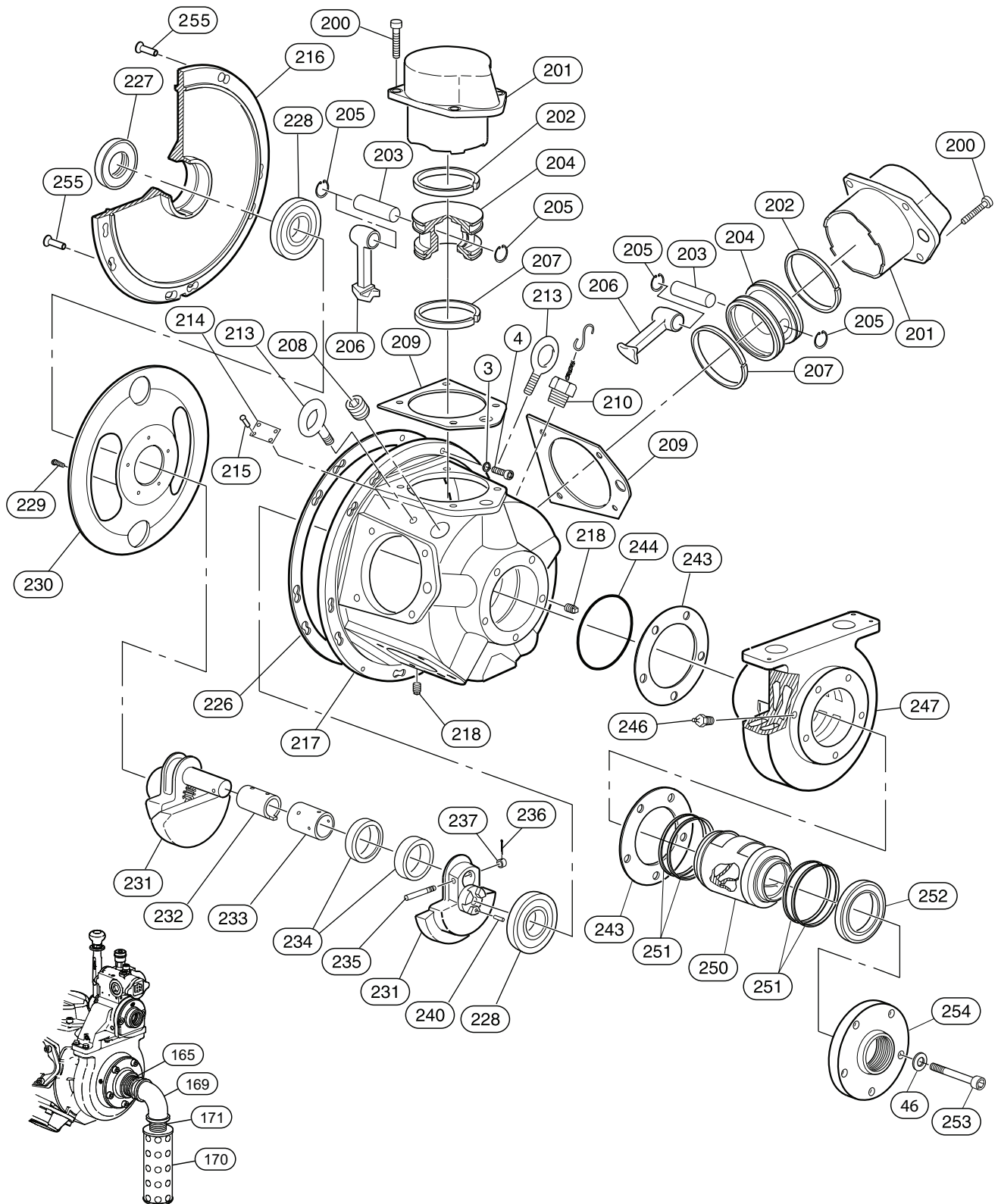
^(a) Contact your nearest **Ingersoll-Rand** distributor or the factory for additional replacement part information.

^(b) These parts also come in a cold weather version. Refer to model code. Adding CH (DNV) or CHA (ABS) to the end of these part numbers is required to retain winch cold weather certification. Example: Order Drum (item 96) (24 inches long) part number 382-32503-5 as part number 382-32503-5CH or 382-32503-5CHA.

Siderail (Item 98) With Brake Band	Part Number (CCN)	Siderail (Item 98) Without Brake Band	Part Number (CCN)
Siderail (24 inch Drum) ^(b)	382-33080-5 (45870862)	Siderail (24 inch Drum) ^(b)	382-33079-5 (45870821)
Siderail (30 inch Drum) ^(b)	382-33080-6 (45870854)	Siderail (30 inch Drum) ^(b)	382-33079-6 (45870813)
Siderail (36 inch Drum) ^(b)	382-33080-7 (45870847)	Siderail (36 inch Drum) ^(b)	382-33079-7 (45870805)
Siderail (40 inch Drum) ^(b)	382-33080-8 (45870839)	Siderail (40 inch Drum) ^(b)	382-33079-8 (45870797)
Siderail (50 inch Drum) ^(b)	382-33080-9 (45876638)	Siderail (50 inch Drum) ^(b)	382-33079-9 (45876620)

Siderail (Item 98) With Brake Band, No Disc Brake	Part Number (CCN)
Siderail (24 inch Drum) ^(b)	45981099001
Siderail (30 inch Drum) ^(b)	Contact Factory
Siderail (36 inch Drum) ^(b)	Contact Factory
Siderail (40 inch Drum) ^(b)	45981099008
Siderail (50 inch Drum) ^(b)	Contact Factory

Motor Assembly Drawing



(Dwg. MHP1007)

Motor Assembly Parts List

Item No.	Description of Part	Total Qty.	Part Number (CCN)
199	Motor Assembly ^(a)	1	K5B-550LESS (71430557)
3	Lockwasher	10	51607 (71225973)
4	Capscrew	10	71268205
46	Washer	5	50181 (03898269)
165	Reducer Bushing	1	71057459
169	Pipe Elbow	1	71057467
170	Muffler	1	71057434
171	Pipe Nipple	1	50594 (03969524)
200	Capscrew (Imperial Thread)	20	52317 (71063705)
	Capscrew (Metric Thread)	20	71434260
201	Cylinder	5	K5B-505 (04305603)
202	Compression Ring	1 Set	KU-KRING (71325849)
203	Wrist Pin	5	HU-514A (03504750)
204	Piston ^(b)	5	^(b)
205	Retainer Ring	1	902A45-632-10 (03944717)
206	Connecting Rod	5	K5B-509 (03880333)
207	Oil Ring		Order item 202
208	Plug	1	71263297
209	Head Gasket	1 Set	K5B-507-5 (03944709)
210	Vent Cap Assembly	1	26604 (71339949)
213	Eye Bolt	2	71431506
214	Nameplate	1	K5B-301 (03880085)
215	Rivet	4	71028849
216	Mounting Flange	1	K5B-502A
217	Motor Housing	1	382-30415-S (71475818)
218	Pipe Plug	2	54912 (71077242)
226	Gasket	1	K5B-592 (03880655)
227	Oil Seal	1	K5B-270 (03880093)
228	Crank Bearing	2	51066 (03989746)
229	Button Head Screw	5	71420277
230	Oil Slinger	1	K5B-540 (03880275)
231	Crank Assembly	1	K5B-A516 (03918851)
230	Sleeve	1	K5B-519 (03880267)
233	Bushing	1	K5B-511 (03880242)
234	Connecting Rod Ring	2	K5B-510 (03880218)
235	Lock Pin	1	HU-520 (03185048)
236	Cotter Pin	1	53456 (71229389)
237	Pin Nut	1	D02-394 (03167723)
240	Roll Pin	1	54257 (71231104)
243	Gasket	2	K5B-928 (03880580)

Motor Assembly Parts List

Item No.	Description of Part	Total Qty.	Part Number (CCN)
244	'O' Ring	1	20A11CM248 (95086690)
246	Grease Fitting	1	53095 (03900172)
247	Rotary Valve Housing	1	K5B-545M-S (71449300)
250	Rotary Valve	1	K5B-526EQ-R (03942018)
251	Seal Ring	1 Pack	K5B-607A (03944485)
252	Bearing	1	K5B-97 (03880473)
253	Capscrew (Imperial Thread)	5	51471 (71076772)
	Capscrew (Metric Thread)	5	71452536
254	Exhaust Flange	1	KK5B-276M
255	Screw	2	71262810

(a) Motor Assembly consists of items 3, 4, 200 through 260, and 546.

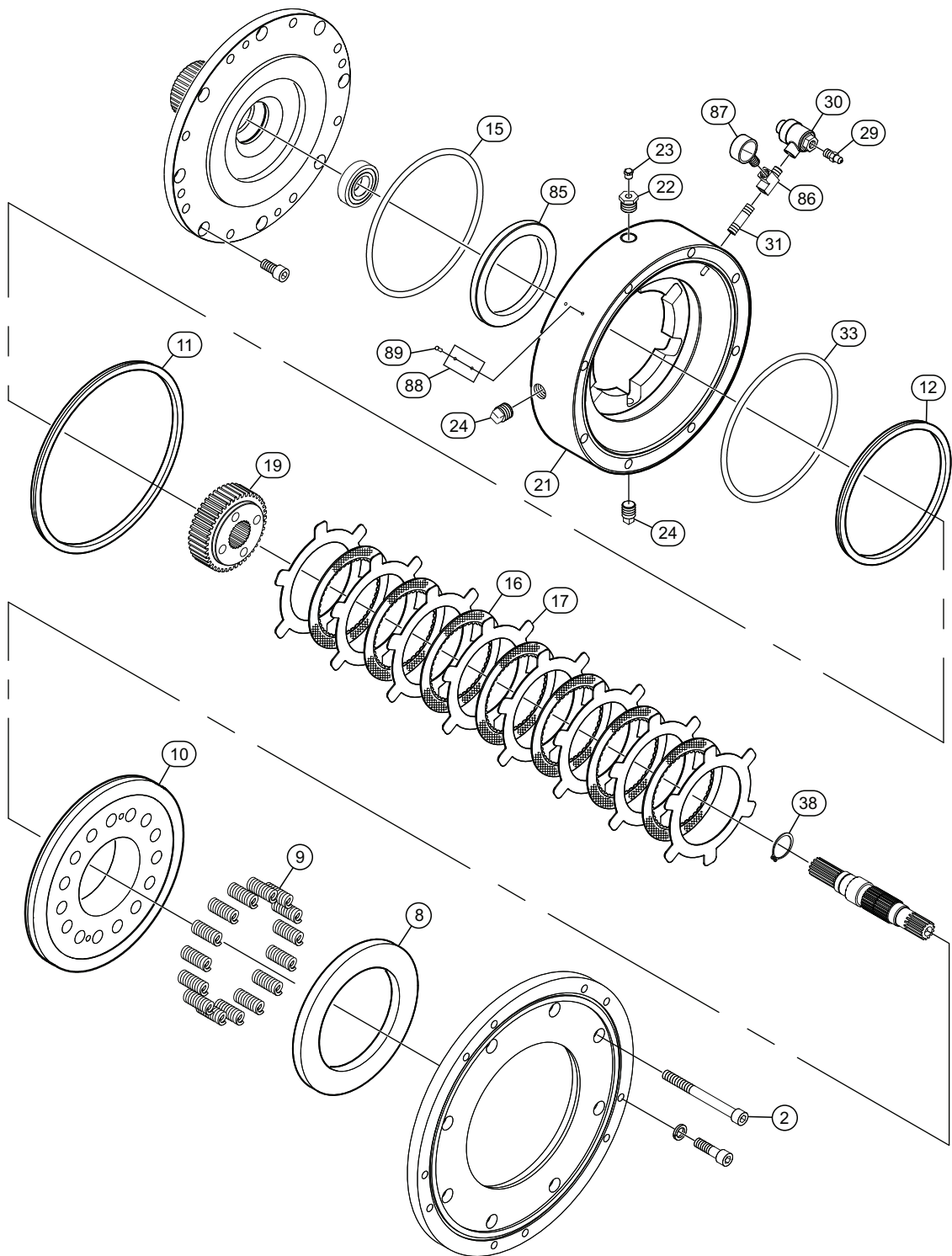
(b) Parts not sold separately. Refer to Kit List below.

Table 3. Motor Assembly Kit List

Item No.	Description of Part	Total Qty.	Part Number (CCN)
1001	Service Kit: Motor (including in Overhaul Kits) (include items: 3, 4, 46, 253, 252, 251, 228, 229, 236, 237, 235, 233, 246, 243, 244, 218, 226, 200, 201, 202, 207, 209, 227, 228, 248)	1	47576421001
1002	Motor Gasket Kit (include items: 209, 226, 243, 244, 248 and 946)	1	26823 (71351498)
1003	Motor Assembly with Control Valve (includes item: 227)	1	47576437001
1004	Motor Assembly without Control Valve (includes item: 227)	1	47576441001
1005	Piston Assembly (include items: 202, 203, 204, 205 and 207)	1	47577998001
1006	Rotary Valve Assembly (include items: 243, 244, 250, 251 and 252)	1	K5B-526EQ-RS (71352900)
1007	Crankshaft Assembly (include items: 206, 228, 229, 230, 231, 232, 233, 234, 235, 236, 237 and 240)	1	47577866001
1008	Replacement Kit: Muffler (include items: 165, 169, 170, 171, 957, 958, 959)	1	47536492001

Note: Kit number K5B550-KRING consists of (5) Compression Rings item 202 and (5) Oil Rings item 207.

Disc Brake Assembly Drawing



(Dwg. MHP2944)

Disc Brake Assembly Parts List

Item No.	Description of Part	Total Qty.	Part Number (CCN)
1	Disc Brake Assembly (include items: 1, 8 through 12, and 15 through 31) ^(a)	1	382-35303 (45916293)
2	Capscrew (with disc brake)	8	71087100
8	Brake Reaction Plate	1	10597 (71075204)
9	Spring	15	50751 (03990181)
10	Brake Piston	1	382-31002 (71444731)
11 ^(b)	Seal	1	71444822
12 ^(b)	Seal	1	51462 (03974821)
15 ^(b)	'O' Ring	1	51460 (03980596)
16	Friction Plate	7	71126874
17	Drive Plate ^(a)	8	382-31004 (71444756)
19	Geared Hub ^(a)	1	382-32459 (71479786)
21	Brake Housing ^(a)	1	382-32457 (71479729)
22	Fitting, Reducer Bushing	1	51803 (71076582)
23 ^(b)	Breather	1	51857 (71062558)
27	Pipe Plug	2	51467 (71074702)
29	Fitting, Vented	1	20770 (71121784)
30	Dump Valve	1	50276 (71025704)
31	Fitting, Nipple	1	50859 (71063655)
33	'O' Ring	1	51458 (03974805)
38	Retainer Ring	1	51761 (03899010)
85	Reaction Ring	1	382-32608 (43804269)
86	Fitting, Tee	1	71063374
87	Pressure Gauge	1	43806249
88	Label, Low Pressure	1	71465942
89	Rivet	2	71028849

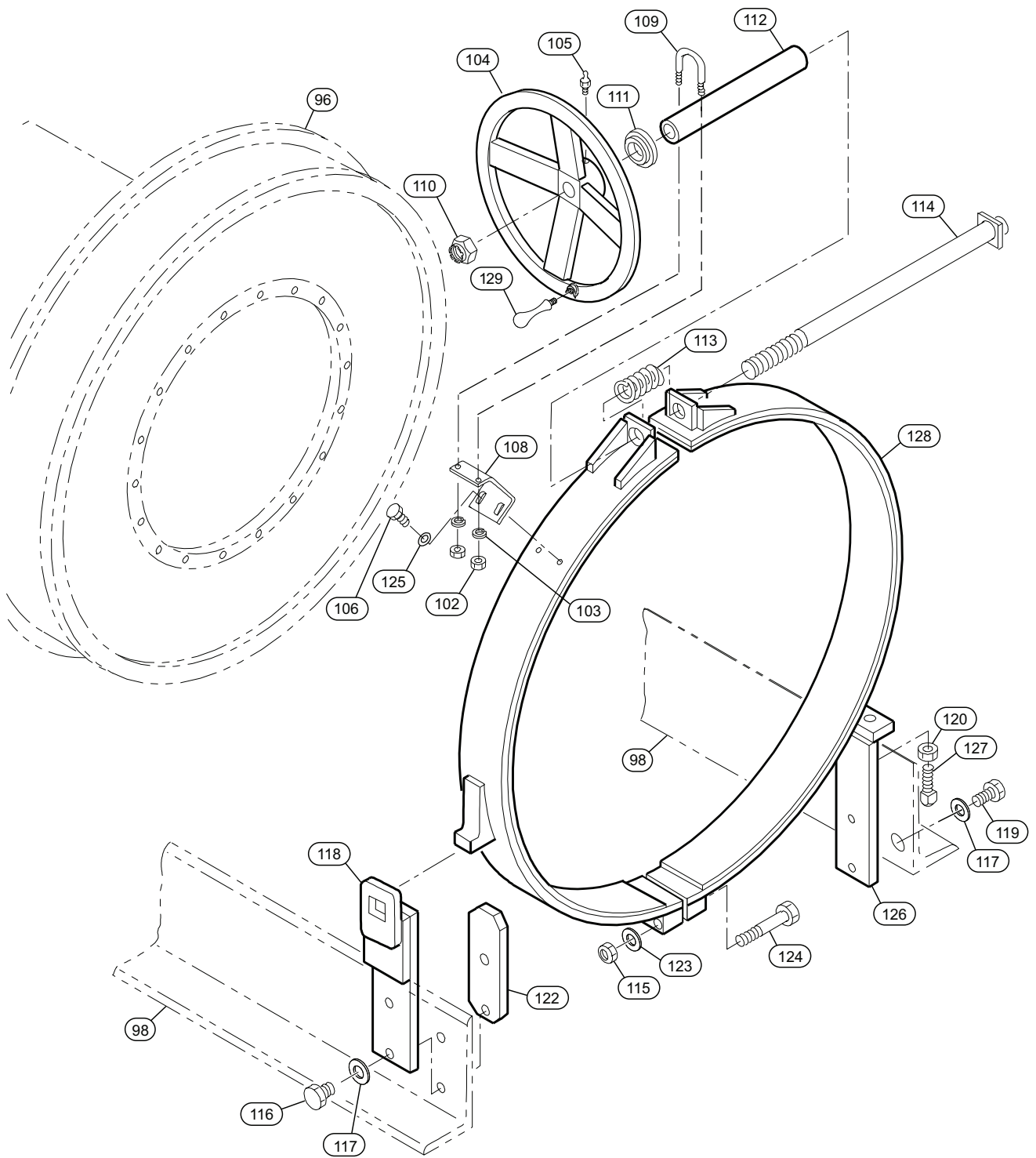
^(a) These parts also come in a cold weather version. Refer to model code. Adding CH (DNV) or CHA (ABS) to the end of these part numbers is required to retain winch cold weather certification. Example: Order Input Shaft (item 7) part number 11595 as part number 11595CH or 11595CHA.

^(b) Recommended spare for one winch, 2 years of normal operation.

Certification Type	Example Part Number To Order	
ABS	---	11595CHA
DNV	11595CH	---

Item No.	Description of Part	Total Qty.	Part Number (CCN)
1009	Conversion Kit: Automatic Disc Brake (include items: 2, 5, 8, 9, 10, 11, 12, 13, 14, 15, 16, 17, 19, 22, 23, 24, 29, 30, 31, 33, 36, 37, 38, 64, 85, 86, 87, 88, 89)	1	47577876001
1010	Service Kit: Disc Brake (included in Overhaul Kits) (include items: 2, 5, 9, 11, 12, 15, 16, 17, 22, 23, 29, 30, 31, 33, 86, 87)	1	47577853001

Manual Band Brake (optional) Assembly Drawing



(Dwg. MHP0627)

Manual Band Brake (optional) Assembly Parts List

Item No.	Description of Part	Total Qty.	Part Number
100	Manual Band Brake Assembly (include items: 104 through 129)	1	382-33365 (45875648)
102	Nut	2	Order item 109, 'U' Bolt
103	Lockwasher	2	Order item 109, 'U' Bolt
104	Handwheel ^(a)	1	47559514001
105	Grease Fitting	1	51469 (03898855)
106	Capscrew	2	71445407
108	Bracket	1	12203 (71130546)
109	'U' Bolt (includes items 102 and 103)	1	52701 (71227979)
110	Nut	1	51775 (71226310)
111	Bearing	1	52707 (71017131)
112	Tube ^(a)	1	382-37464 (45976875)
113	Spring	1	52717 (71017123)
114	Brake Screw ^(a)	1	12182 (71123319)
115	Locknut	4	71445316
116	Capscrew	2	45878840
117	Washer	4	71343768
118	Anchor ^(a)	1	12096 (71123335)
119	Capscrew	2	71449912
120	Nut	1	50159 (03898210)
122	Plate	1	12084 (71123327)
123	Washer	4	71274815
124	Capscrew	4	71316533
125	Washer	2	71055206
126	Support	1	12094 (71130280)
127	Adjustment Screw	1	54424 (71231500)
128 ^(b)	Brake Band ^(a)	1 Set	382-33363 (45875622)
129	Handle	1	Order item 104

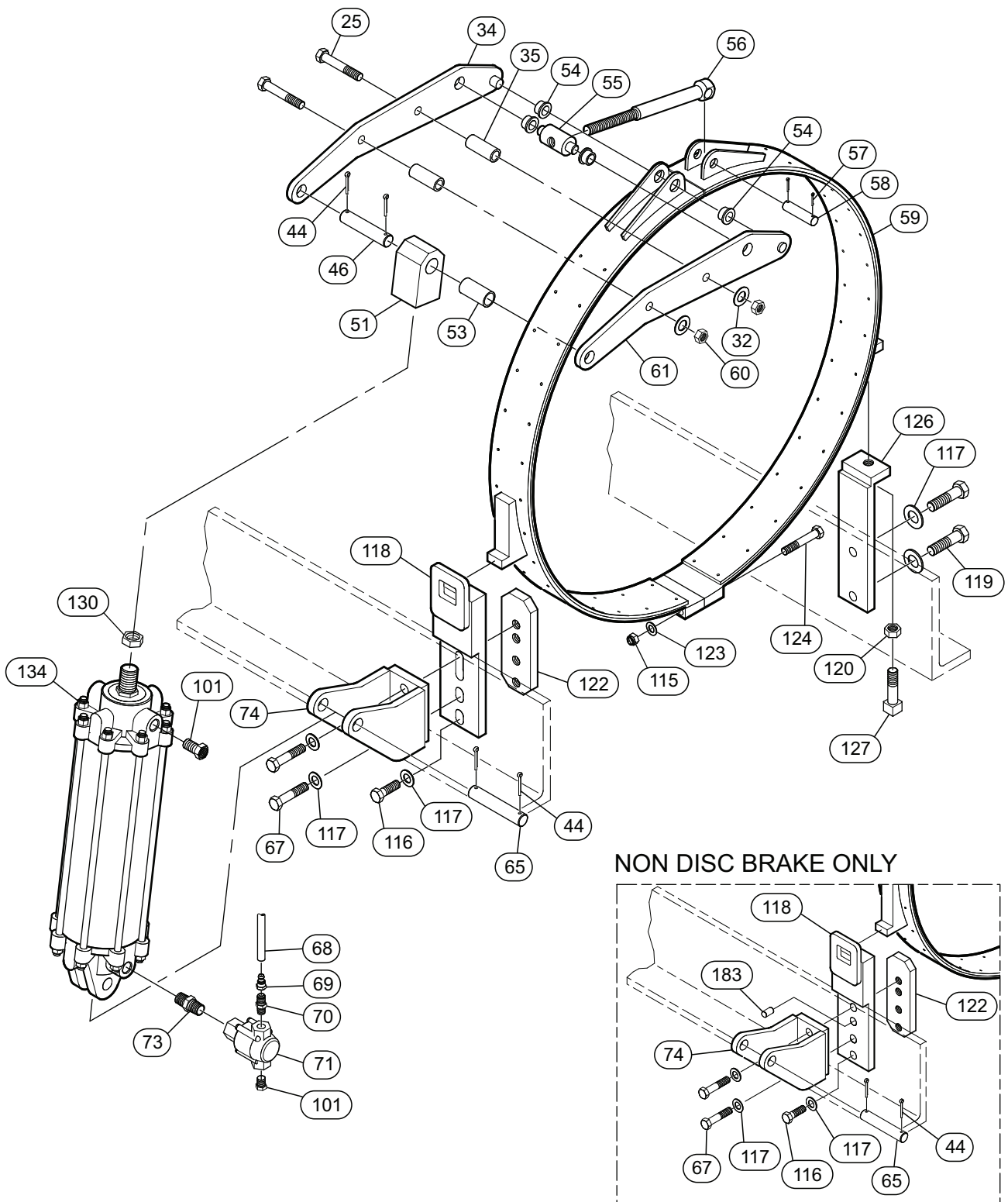
^(a) These parts also come in a cold weather version. Refer to model code. Adding CH (DNV) or CHA (ABS) to the end of these part numbers is required to retain winch cold weather certification. Example: Order Brake Band (item 128) part number 382-33363 as part number 382-33363CH or 382-33363CHA.

^(b) Recommended spare for one winch, 2 years of normal operation.

Certification Type	Example Part Number To Order	
ABS	---	382-33363CHA
DNV	382-33363CH	---

Item No.	Description of Part	Total Qty.	Part Number
1011	Service Kit: Manual Band Brake (including in Overhaul Kits) (include items: 105, 106, 109, 110, 111, 113, 115, 116, 117, 123, 124, 125, 128)	1	47577857001

Automatic Band Brake (optional) Assembly Drawing



(Dwg. MHP2329)

Automatic Band Brake (optional) Assembly Parts List

Item No.	Description of Part	Total Qty.	Part Number (CCN)
139	Brake Band Assembly (w/ Disc Brake)	1	382-33365 (45875648)
25	Capscrew	2	50912 (71145007)
32	Washer	2	52915 (71004436)
34	Lever Arm, Left Side ^(a)	1	28647 (71392252)
35	Spacer	2	28654 (71392419)
44	Cotter Pin	4	50965 (71137079)
46	Pin ^(a)	1	28688 (71393136)
51	Clevis ^(a)	1	28676 (71393037)
53	Bushing	1	71393128
54	Bushing	4	71392203
55	Pivot Nut ^(a)	1	28644 (71392237)
56	Link Stud ^(a)	1	28643 (71392187)
57	Cotter Pin	2	50957 (71069892)
58	Pin ^(a)	1	28655 (71392427)
59 ^(b)	Brake Band ^(a)	1 Set	382-33364 (45875630)
60	Nut	2	71418651
61	Lever Arm, Right Side ^(a)	1	28648 (71392260)
65	Pin ^(a)	1	28689(71393144)
67	Capscrew	2	51010 (71224950)
68	Hose (bulk)	1	53245 (71228928)
69	Fitting, Hose End	2	53954 (71125256)
70	Fitting, Nipple	1	71009385
71	Exhaust Valve	1	EV30-A (04039467)
73	Fitting, Nipple	1	45938719
74	Bracket ^(a)	1	28675 (71393029)
101	Breather	2	71385611
115	Locknut	4	71445316
116	Capscrew	1	45878840
117	Washer	5	71343768
118	Anchor ^(a) (w/ Disc Brake)	1	12096 (71123335)
	Anchor ^(a) (w/o Disc Brake)	1	45981081001
119	Capscrew	2	71449912
120	Jam Nut	1	50159 (03898210)
122	Plate	1	12084 (71123327)
123	Washer	4	71274815
124	Capscrew	4	71316533
126	Support (w/ Disc Brake)	1	12094 (71130280)
	Support (w/o Disc Brake)	1	382-37588 (45982220)
127	Adjustment Screw	1	54424 (71231500)
130	Nut	1	71393193

Automatic Band Brake (optional) Assembly Parts List

Item No.	Description of Part	Total Qty.	Part Number (CCN)
134	Cylinder	1	71393151
139	Automatic Band Brake (w/o Disc Brake)	1	47533759001
183	Pin (w/o Disc Brake)	1	53770 (71229744)

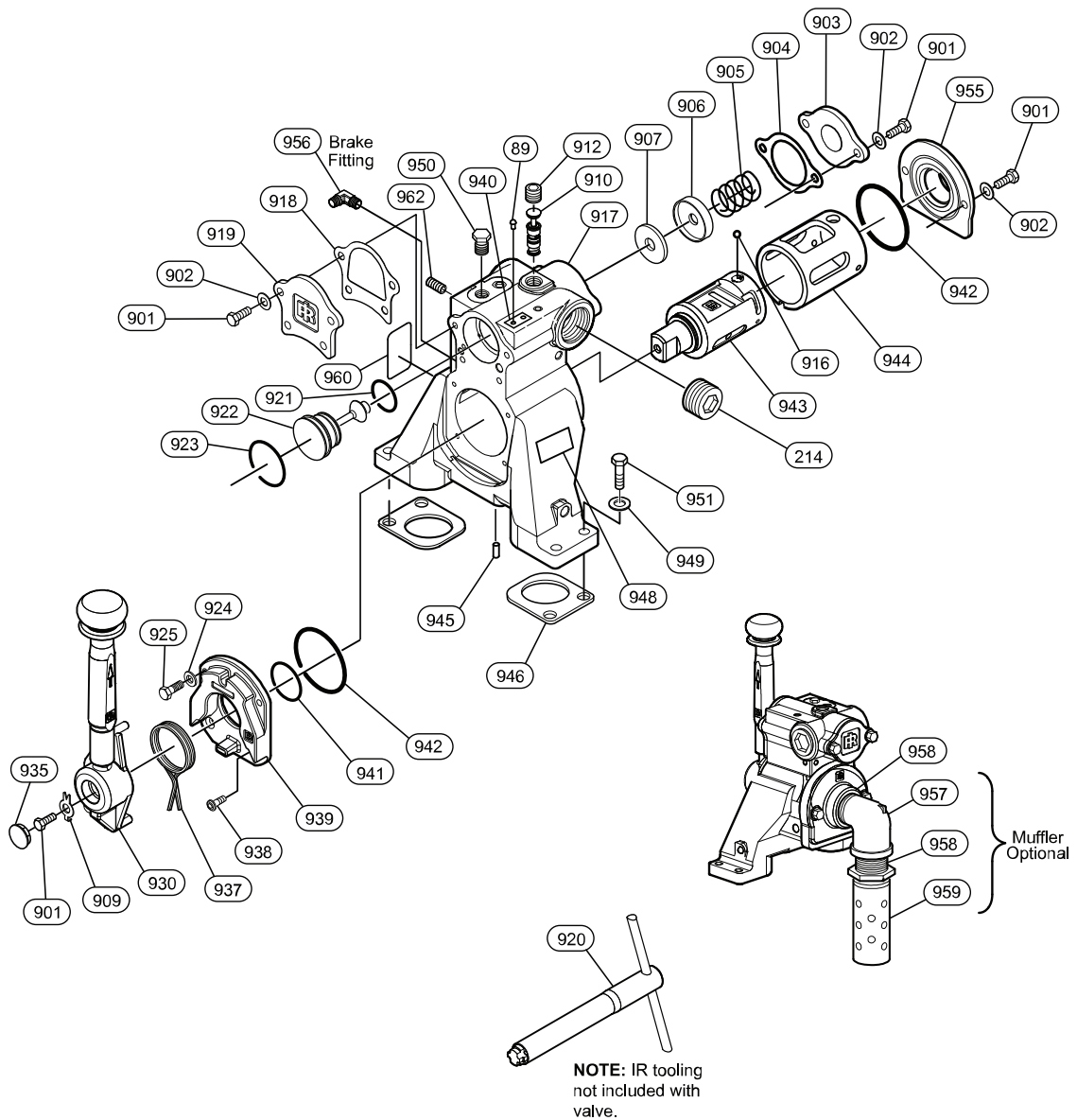
^(a) These parts also come in a cold weather version. Refer to model code. Adding CH (DNV) or CHA (ABS) to the end of these part numbers is required to retain winch cold weather certification. Example: Order Brake Band item (59) part number 382-33364 as part number 382-33364CH.

^(b) Recommended spare for one winch, 2 years of normal operation.

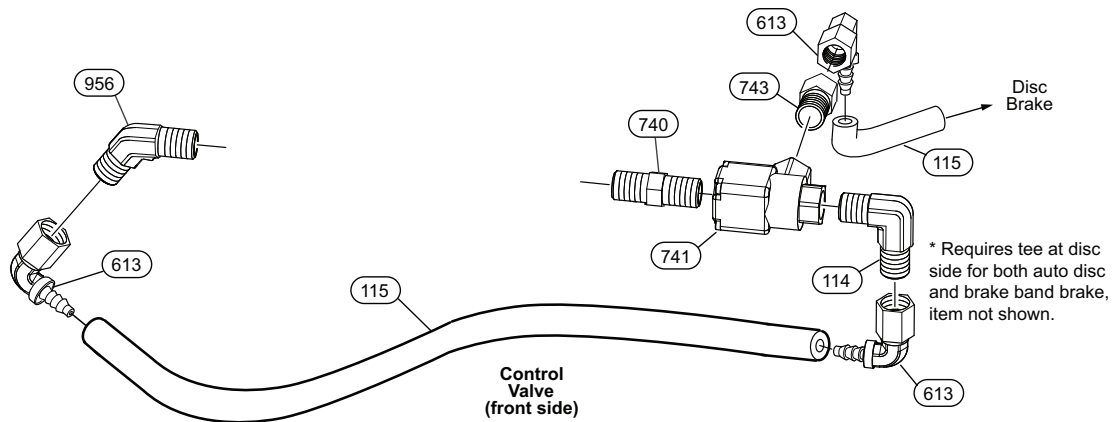
Certification Type	Example Part Number To Order	
ABS	- - -	382-33364CHA
DNV	382-33364CH	- - -

Item No.	Description of Part	Total Qty.	Part Number
1012	Service Kit: Auto Band Brake (including in Overhaul Kits) (include items: 25, 32, 44, 53, 54, 57, 59, 60, 67, 71, 101, 115, 116, 117, 123, 124)	1	47577855001

Control Valve Assembly Drawing



(Dwg. MHP2696)



(Dwg. MHP3182)

Control Valve Assembly Parts List

Item No.	Description of Part	Total Qty.	Part Number (CCN)
900	Control Valve Assembly	1	K5C2-X (71382295)
89	Rivet	2	71028849
114	Fitting, Elbow	1	52181 (03908357)
115	Hose (bulk)	As Req'd	50923 (03990215)
214	Plug	1	71263297
613	Fitting	1	52179 (03895729)
740	Fitting, Connector	3	71367908
741	Shuttle Valve	1	50277 (03969466)
743	Fitting	1	51814 (71367908)
901	Capscrew	9	71342034
902	Washer	8	71303408
903	Poppet Cover	1	26997 (71350813)
904	Poppet Gasket	1	27064 (71350862)
905	Poppet Spring	1	71351068
906	Poppet Cap	1	28734 (71394381)
907	Poppet Seal	1	26991 (71348908)
909	Washer, Tablock	1	71398051
910	Pilot Valve Assembly	1	28696 (71393508)
912	Plug	1	71267561
916	Ball	1	D10-280 (03176864)
917	Valve Housing	1	(a)
918	Cover Gasket	1	26999 (71349112)
919	Piston Cover	1	26998 (71350821)
920	IR Pilot Valve Tool	1	28690 (71393276)
921	'O' Ring	1	52537 (03968617)
922	Piston (b)	1	28735-S (71394936)
923	'O' Ring	1	71355796
924	Washer	2	71271985
925	Capscrew	2	71348338
930	Handle Assembly	1	27239-1 (71398283)
935	Plug	1	71348965
937	Spring	1	26966 (71348262)
938	Buttonhead Screw	2	71394407
939	Seal Bracket (c)	1	28733-S (71394944)
940	Tag (No FA2B)	1	71392757
941	'O' Ring	1	71357198
942	'O' Ring	2	51651 (71292056)
943	Reverse Valve Kit (Normal) (d)	1	27925-XLP (71471585)
	Reverse Valve (Reverse Bias) (d)		28002 (71377303)
	Reverse Valve (Unbiased)		(e)

Control Valve Assembly Parts List

Item No.	Description of Part	Total Qty.	Part Number (CCN)
944	Bushing (Normal) ^(f)	1	382-29739 (71417067)
	Bushing (Reverse Bias) ^(f)		27450 (71359707)
	Bushing (Unbiased)		(e)
945	Dowel Pin	1	71146674
946	Gasket	Set	27115 (71351936)
948	Label, Throttle Direction	1	71352777
949	Washer	4	71413355
950	Plug	1	71366348
951	Capscrew	4	71431365
955	Exhaust Flange	1	26691 (71348320)
956	Fitting, Elbow	1	71367932
957	Fitting, Elbow	1	54299 (71231195)
958	Fitting, Nipple	2	71311252
959	Muffler	1	52472 (03981040)
960	Label, Warning	1	71373229
962	Breather	1	51559 (03989571)

^(a) Item 917 not sold separately, order item 900

^(b) Includes items (6) each of 901 and 902, items 904-907, 918, 921 and 923.

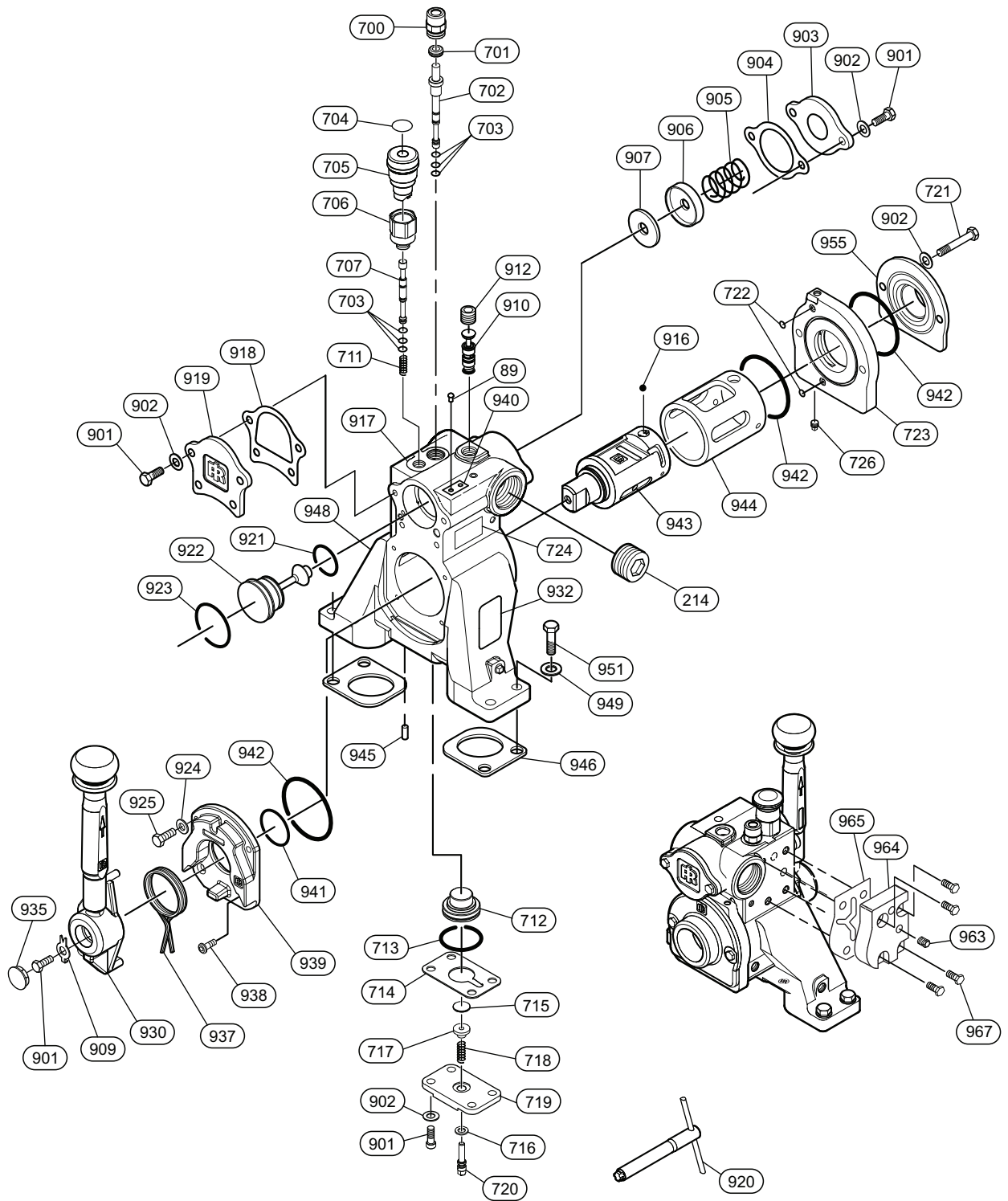
^(c) Includes items (1) each of 901 and 902, items 924, 925, 935, 937, 938, 941 and 942.

^(d) Reverse Valve (Normal) for Standard Overwound operation. Reverse Valve (Reverse Bias) for Optional Underwound operation.

^(e) Reverse Valve (Unbiased) and Bushing (Unbiased) contact factory for application.

^(f) Ensure Bushing matches Reverse Valve (Reverse Valve (Normal) and Bushing (Normal)). Mixing these components can result in erratic winch operation.

Emergency Stop and Overload Control Valve Assembly Drawing (-E Model)



(Dwg. MHP2697)

Emergency Stop and Overload Control Valve Assembly Parts List

Item No.	Description of Part	Total Qty.	Part Number (CCN)
908	Control Valve Assembly	1	K5C2-EXLP (71455372)
89	Rivet	2	71028849
214	Plug	1	71263297
700	Cap	1	27491 (71360721)
701	Grommet	1	71365779
702	Plunger	1	27490 (71360716)
703	'O' Ring	6	71127039
704	Label, Stop	1	95790099 (DNM38730107)
705	Button, E-Stop	1	71372601
706	Adapter	1	27488 (71360697)
707	Plunger	1	27489 (71360705)
711	Spring	1	71365787
712	Piston	1	27964 (71372593)
713	'O' Ring	1	51768 (03989514)
714	Gasket	1	27493 (71360747)
715	Plate	1	27624 (71364376)
716	'O' Ring	1	71365795
717	Adjustment Nut	1	24374 (71265995)
718	Spring	1	71053730
719	Cover	1	27494 (71360754)
720	Screw, Adjusting	1	27571 (71365605)
721	Capscrew	2	71398879
722	'O' Ring	2	71138135
723	Exhaust Adapter	1	27540 (71362784)
724	Label Plate, LP ^(a)	1	71465959
726	Plug	1	27945 (71372635)
901	Capscrew	11	71342034
902	Washer	12	71303408
903	Poppet Cover	1	26997 (71350813)
904	Poppet Gasket	1	27064 (71350862)
905	Poppet Spring	1	71351068
906	Poppet Cap	1	28734 (71394381)
907	Poppet Seal	1	26991 (71348908)
909	Washer, Tablock	1	71398051
910	Pilot Valve Assembly	1	28696 (71393508)
912	Plug	1	71267561
916	Ball	1	D10-280 (03176864)
917	Valve Housing	1	(b)

Emergency Stop and Overload Control Valve Assembly Parts List

Item No.	Description of Part	Total Qty.	Part Number (CCN)
918	Cover Gasket	1	26999 (71349112)
919	Piston Cover	1	26998 (71350821)
920	IR Pilot Valve Tool	1	28690 (71393276)
921	'O' Ring	1	52537 (03968617)
922	Piston ^(c)	1	28735-S (71394936)
923	'O' Ring	1	71355796
924	Washer	2	71271985
925	Capscrew	2	71348338
930	Handle Assembly	1	27239-1 (71398283)
935	Plug	1	71348965
937	Spring	1	26966 (71348262)
938	Buttonhead Screw	2	71394407
939	Seal Bracket ^(d)	1	28733-S (71394944)
940	Tag, No FA2B	1	71392757
941	'O' Ring	1	71357198
942	'O' Ring	3	51651 (71292056)
943	Reverse Valve Kit (Normal) ^(e)		27925-XLP (71471585)
	Reverse Valve (Reverse Bias) ^(e)		(e)
	Reverse Valve (Unbiased)		(f)
944	Bushing (Normal) ^(g)		382-29739 (71417067)
	Bushing (Reverse Bias) ^(g)		(g)
	Bushing (Unbiased)		(f)
945	Dowel Pin	1	71146674
946	Gasket	Set	27115 (71351936)
948	Label, Throttle Direction	1	71352777
949	Washer	4	71413355
951	Capscrew	4	71431365
955	Exhaust Flange	1	26691 (71348320)
956	Fitting, Elbow	1	71367932
957	Fitting, Elbow (refer to Dwg. MHP2696)	1	54299 (71231195)
958	Fitting, Nipple (refer to Dwg. MHP2696)	1	71311252
959	Muffler (refer to Dwg. MHP2696)	1	52472 (03981040)
960	Label, Warning	1	71373229
963	Plug	3	28628 (71391536)
964	Manifold Block ^(h)	1	382-31727 (71463681)
965	Gasket ^(h)	1	382-31762 (71464176)
966	Washer ^(h)	4	71271985
967	Capscrew ^(h)	4	71348338

^(a) Refer to Label Placement Dwg. MHP2718 on page 37.

^(b) Item 917 not sold separately, order item 908.

^(c) Includes items (6) each of 901 and 902, items 904-907, 918, 921 and 923.

^(d) Includes items (1) each of 901 and 902, items 924, 925, 935, 937, 938 and 940.

^(e) Reverse Valve (Normal) for Standard Overwound operation. Reverse Valve (Reverse Bias) for Optional Underwound operation.

^(f) Reverse Valve (Unbiased) and Bushing (Unbiased) contact factory for application.

^(g) Ensure Bushing matches Reverse Valve (Reverse Valve [Normal] and Bushing [Normal]). Mixing these components can result in erratic winch operation.

Emergency Stop and Overload Control Valve Assembly Parts List

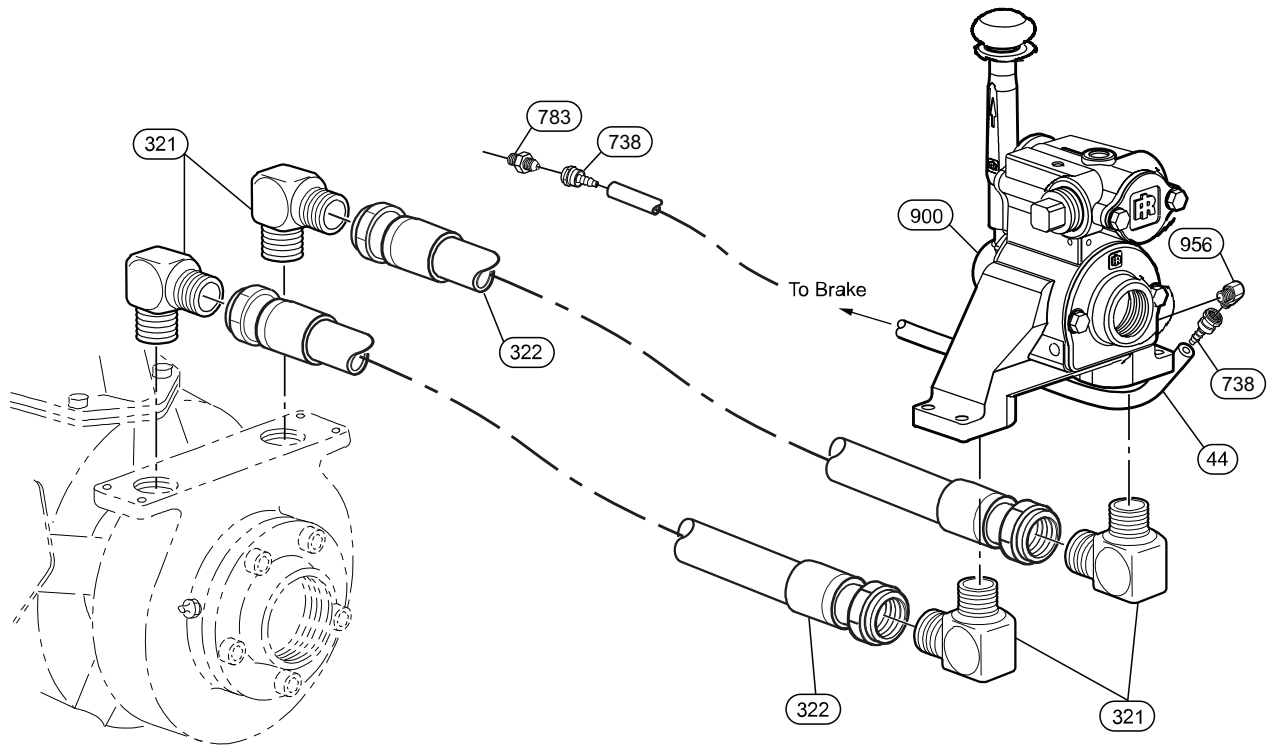
(h) Items 964 through 967.ts

Refer to 'Control Valve Assembly Parts List' on page 17 for Notes 1 and 2 and all other kit part numbers.

Table 4. Emergency Stop and Overload Control Valve Assembly Kit List:

Item No.	Description of Part	Total Qty.	Part Number (CCN)
1013	Service Kit: K5C2 Valve (included in Overhaul Kits) (include items: 701, 703, 711, 713, 714, 716, 721, 722, 901, 902, 904, 905, 907, 909, 916, 918, 921, 923, 924, 935, 937, 938, 941, 942, 946, 949, 951, 965)	1	27240 (71354401)
1014	K5C2-E E-Stop Seal Kit (include items: 703, 711)	1	27994 (71373328)

Full Flow Remote Control Valve Assembly Drawing and Parts List



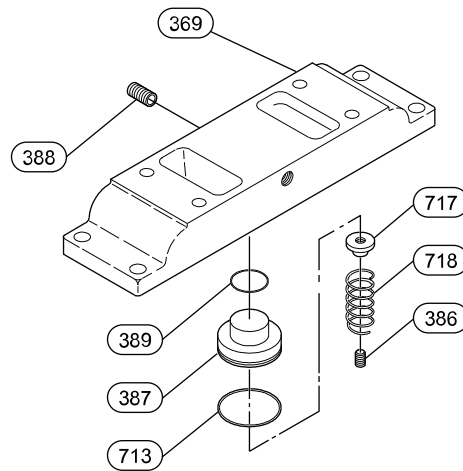
(Dwg. MHP2698)

Item No.	Description of Part	Total Qty.	Part Number (CCN)
900	Control Valve Assembly	1	K5C2-X (71382295)
44	Hose (bulk)	As Req'd	50923 (03990215)
321	Fitting, Elbow	4	54270 (71075915)
322	Hose Assembly	2	47533155001
738	Fitting	2	51029 (03990298)
783	Fitting	1	20770 (71121784)
956	Fitting, Elbow	1	71367932

Notes:

1. Requires special tool to install fittings into hose ends.
2. Maximum hose length of 20 ft.

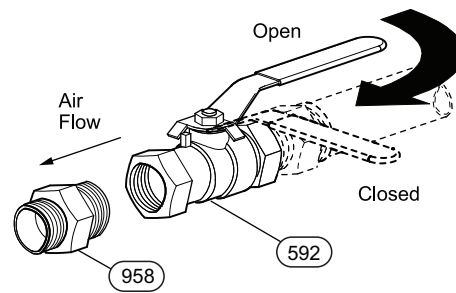
Pendant Operated Overload (optional) Assembly Drawing and Parts List



(Dwg. MHP0698)

Item No.	Description of Part	Total Qty.	Part Number (CCN)
96	Washer	4	71376370
248	Gasket, Housing	1	K5B-547 (03885258)
369	Adapter	1	24373 (71265987)
386	Setscrew	1	71266589
387	Piston	1	24372 (71265979)
388	Plug, Orifice	1	382-31313 (71454359)
389	'O' Ring	1	50557 (03990082)
390	Adjustment Adapter	1	382-37733 (45989555)
391	Adjustment Screw	1	45989571
392	Nut	1	45989563
393	Capscrew	4	45989803
713	'O' Ring	2	51768 (03989514)
717	Adjustment Nut	1	28929 (71398861)
718	Spring	1	
946	Gasket	2	27115 (71351936)

Shut-Off Valve Assembly Drawing and Parts List



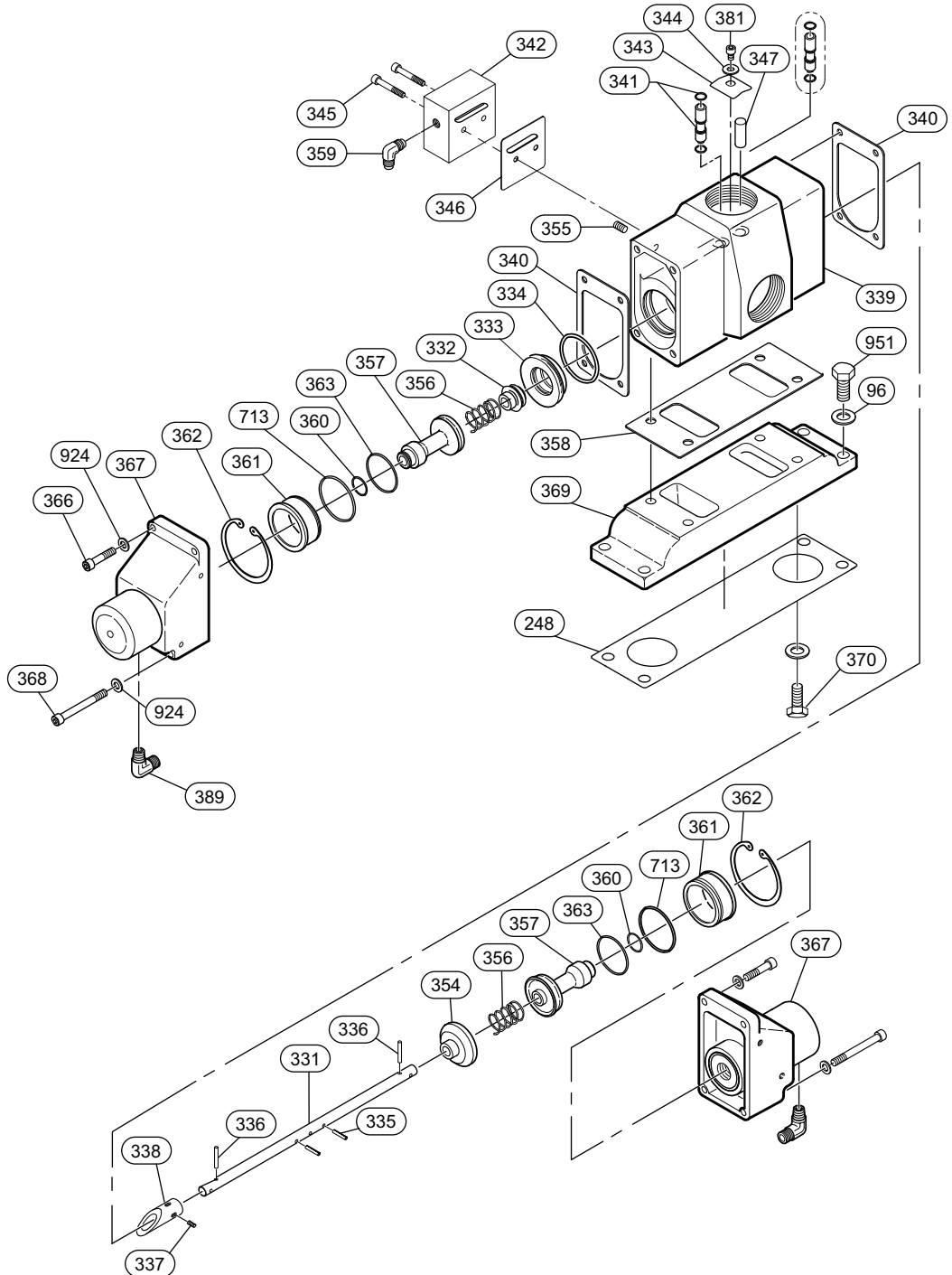
(Dwg. MHP2958)

Item No.	Description of Part	Total Qty.	Part Number (CCN)
592	Valve, Shut-off	1	71416911
958	Fitting, Nipple	1	71311252

Note: Shut-off valve assembly is supplied unattached to product. Refer to Product Information Manual for installation.

Pendant Operated Pilot Control Valve (optional) Assembly Drawing

Single Air Brake: Qty. = 1 each of Item 341 and Item 347.
 Dual Air Brake: Qty. = 2 of Item 341, 0 of Item 347.
 No Air Brake: Qty. = 2 of Item 347, 0 of Item 341.



(Dwg. MHP3091)

Pendant Operated Pilot Control Valve (optional) Drawing and Parts List

Item No.	Description of Part	Total Qty.	Part Number (CCN)
96	Washer ^(a)	4	71376370
248	Gasket, Housing	1	K5B-547 (03885258)
330	Valve Assembly:		
	Standard	1	PTV1 (71465827)
	-E Option		PTV1-E (71465835)
	Reverse Bias		PTV1-RB (45895778)
331	Valve Shaft	1	23522 (71135685)
332	Restrictor, Poppet	1	23523 (71135693)
333	Restrictor, Seat	1	23524 (71135701)
334	'O' Ring	1	71137988
335	Pin	2	71293179
336	Pin	2	71293161
337	Setscrew	1	71138093
338	Sleeve	1	23606 (71139398)
339	Valve Body	1	^(b)
340	Gasket	2	23592 (71139257)
341	Pin ^(c)	1(2)	23594 (71139273)
	Valve Assembly ^(c)	1(2)	
	'O' Ring ^(c)	2(4)	
342	Manifold	1	382-31755 (71464044)
343	Spring Clip	1	24793 (71299531)
344	Washer	1	50899 (71224794)
345	Capscrew	2	71261747
346	Gasket	1	382-31761 (71464168)
347	Pin	1(2)	71146195
354	Exhaust Poppet	1	23516 (71135628)
355	Plug	1	51897 (71112148)
356	Spring	2	71138028
357	Inlet Poppet	2	23517 (71135636)
358	Gasket	4	71264725
359	Fitting, Elbow	4	71262299
360	'O' Ring	2	52662 (03930906)
361	Poppet Seat	2	23518 (71135644)
362	Retainer Ring	2	53833 (71149132)
363	'O' Ring	2	52573 (71138127)
366	Capscrew	4	71138069
367	Valve Cap	2	28433 (71386726)
368	Capscrew	4	71138077

Pendant Operated Pilot Control Valve (optional) Drawing and Parts List

Item No.	Description of Part	Total Qty.	Part Number (CCN)
369	Adapter, Standard	1	23514 (71335602)
	Adapter, -E Option		24373 (71265987)
370	Capscrew	4	52303 (71078026)
381	Washer (not shown)	4	51013 (03898632)
381	Capscrew	1	53807 (71059570)
389	Elbow, Fitting	2	51714
713	'O' Ring	2	51768 (03989514)
924	Washer	8	71271985
951	Capscrew	4	71431365

(a) Quantity of 4 Washers (96) required to mount Adapter (369). Additional Washer (96) quantities are 'As Required' to establish clearance tolerances described in "MAINTENANCE" section.

(b) Item not sold separately. Order item 330.

(c) Refer to the following to determine Pin (347) and Valve Assembly (341) configuration requirements:

Winches without disc or automatic band brake use quantity of 2 Pins (347).

Winches with a single automatic brake (disc or drum band) (Valve Assembly 25439 or 25440) use quantity of 1 Pin (347) and 1 Valve Assembly (341).

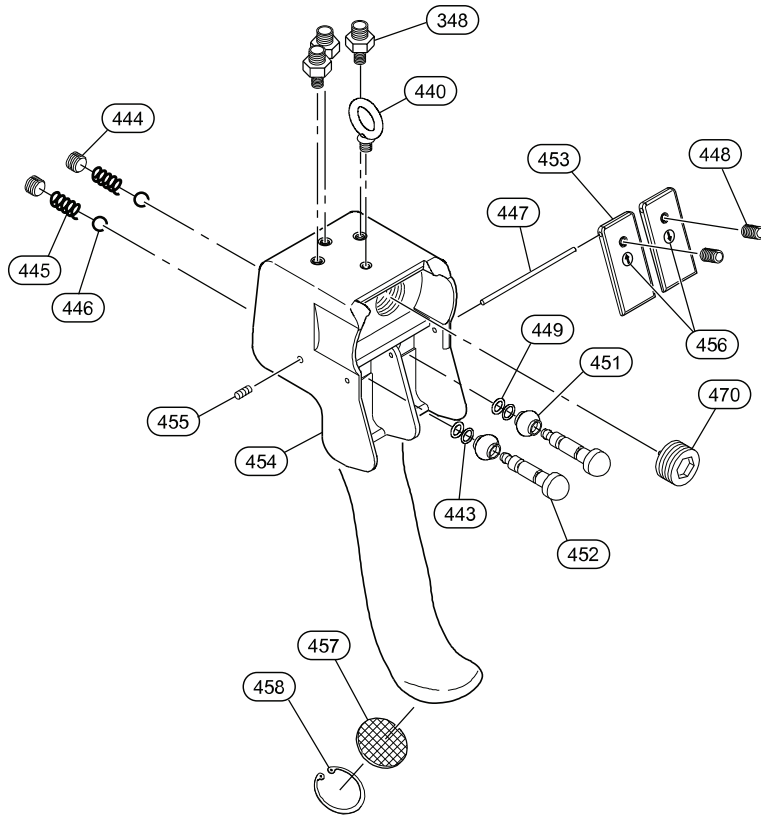
Winches with disc and automatic band brakes (Valve Assemblies 25441 or 25468) use quantity of 2 Valve Assemblies (341).

Table 5. Pendant Operated Pilot Control Valve (Optional) Assembly Kit List:

Item No.	Description of Part	Total Qty.	Part Number (CCN)
1015	Service Kit: PTV1 Control Valve (included in Overhaul Kits) (include items: 96, 248, 334, 336, 337, 340, 345, 346, 356, 358, 360, 363, 366, 368, 370, 381, 713, 924, 951)	1	47528608001

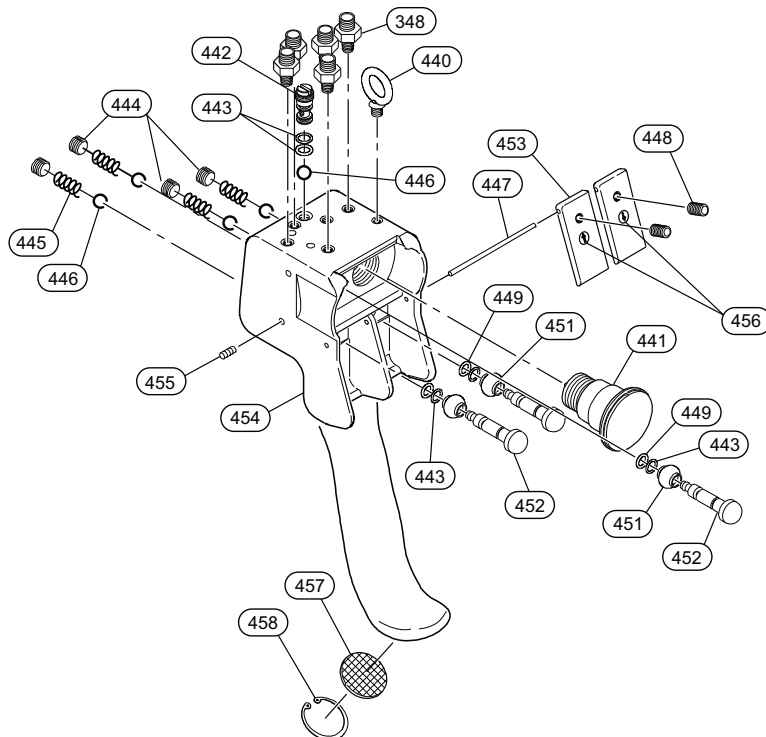
Two Lever Remote Pendant (optional) Assembly Drawings

Pendant without Emergency Stop



(Dwg. MHP2346)

Pendant with Emergency Stop



(Dwg. MHP1677)

Two Lever Remote Pendant (optional) Assembly Parts List

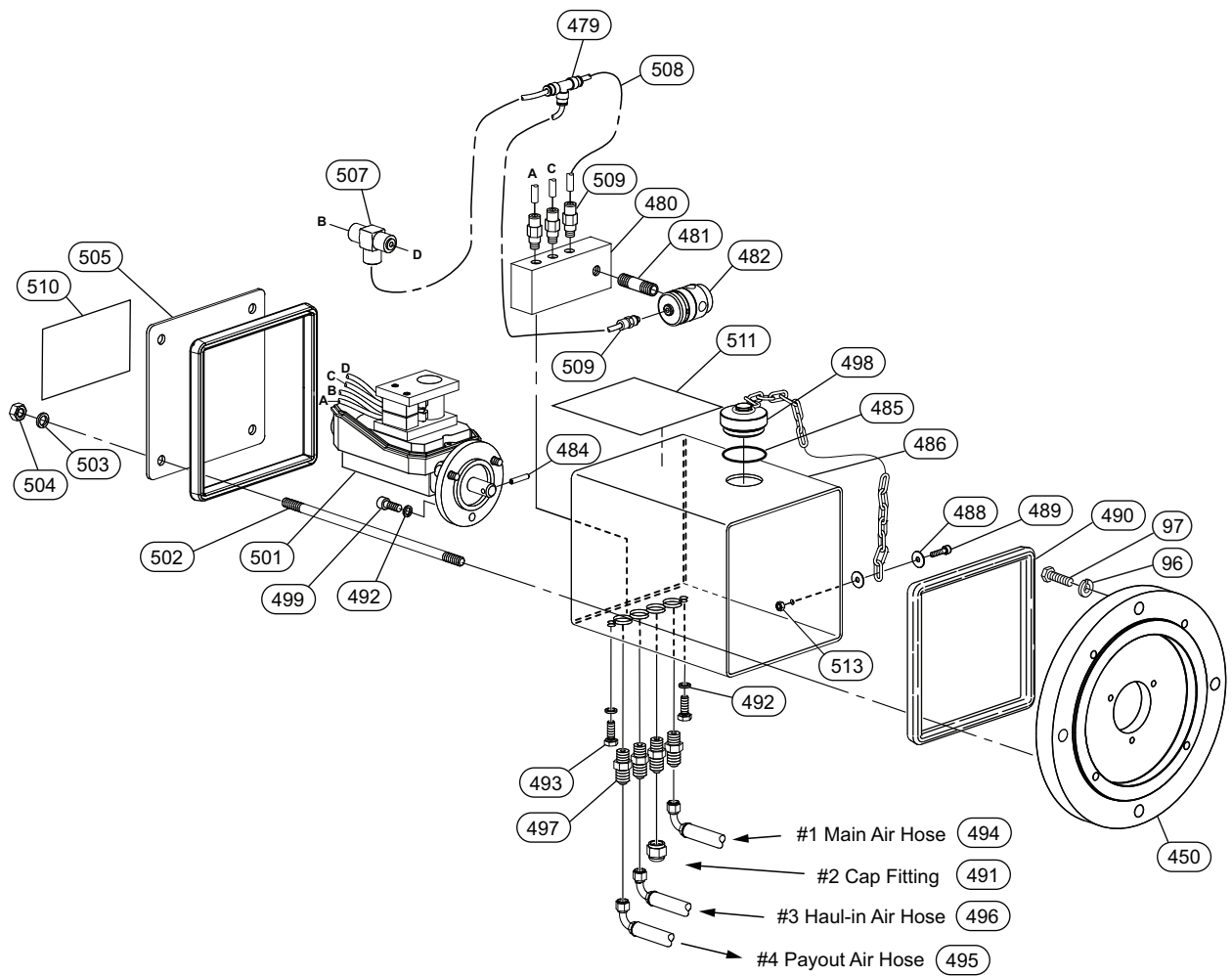
Item No.	Description of Part	Total Qty.	Part Number (CCNO)	
			With E-Stop	Without E-Stop
353	Pendant Assembly ^(a)	1	PHS2E (38559233)	PHS2E-U (38559258)
348	Fitting	3 (5)	71048268	
440	Lifting Eye	1	6422-2332 (38529160)	
441	Emergency Stop Valve	1	---	9579-0108 (38851180)
442	Valve	1		9579-0106 (38551198)
443	'O' Ring	2 (5)	5820-9229 (38534517)	
444	Plug	2 (4)	6510-7741 (38648143)	
445	Spring	2 (4)	6912-8541 (38553889)	
446	Ball	2 (5)	6940-1625 (38542924)	
447	Pin	1	9579-0040 (38538237)	
448	Setscrew	2	4200-8607 (38555546)	
449	'O' Ring	2 (3)	5823-5329 (38550208)	
451	Protector	2 (3)	9579-0107 (38554580)	
452	Valve	2 (3)	9579-0104 (38550190)	
453	Lever	2	9579-0122 (38559100)	
454	Pendant Handle	1	order item 353	
455	Setscrew	3 (5)	71078158	
456	Label Kit	1	9579-0111 (38554598)	
457	Exhaust Washer	1	6760-0303 (38535621)	
458	Retainer Ring	1	4771-3030 (38559373)	
470	Plug	1	6512-9541 (38559530)	---

^(a)
 PHS2E includes items 440-449 and 451-458.
 PHS2E-U includes items 440, 443-449, 451-458 and 470.

Table 6. Two Lever Remote Pendant (Optional) Assembly Service Kit List:

Item No.	Description of Part	Total Qty.	Part Number (CCN)
1016	Service Kit: PHS2E-U Pendant (include items: 442, 443, 444, 445, 446, 449, 451, 456)	1	38781431

Limit Switch (optional) Assembly Drawing



(Dwg. MHP2677)

Limit Switch (optional) Assembly Parts List

Item No.	Description of Part	Total Qty,	Part Number (CCN)
475	Limit Switch Assembly ^(a)	1	382-32134-S (43807759)
96	Washer	4	71376370
97	Capscrew	4	52160 (71227094)
450	Adapter (FA2.5i)	1	382-30831 (71439962)
	Adapter (FA5i/5Ti)	1	382-30829 (71439947)
479	Fitting, Hose Tee	1	5825-5860
480	Connection Block	1	382-31427 (71457501)
481	Fitting, Pipe	1	54242 (03895778)
482	3-way Valve	1	71460760
484	Pin	1	4650-3420 (38523627)
485 ^(b)	'O' Ring	1	5823-7529 (38599585)
486	Housing	1	382-32124 (71472872)
488	Washer	2	4500-1104 (38560991)
489	Capscrew	1	4131-1906 (38631404)
490 ^(b)	Gasket	2	6976-1541 (38595864)
491	Fitting, Cap	1	71111975
492	Washer	5	4520-1006 (38540142)
493	Capscrew	2	4102-1804
494	Hose Assembly (37 in. [940 mm]) standard hose	1	382-31423-8 (71457428)
	Hose Assembly (37 in. [940 mm]) stainless steel hose		382-31426-8 (71457626)
495	Hose Assembly (42 in. [1067 mm]) standard hose	1	382-31423-10 (71457444)
	Hose Assembly (42 in. [1067 mm]) stainless steel hose		382-31426-10 (71457642)
496	Hose Assembly (42.5 in. [1080 mm]) standard hose	1	382-31423-9 (71457436)
	Hose Assembly (42.5 in. [1080 mm]) stainless steel hose		382-31426-9 (71457634)
497	Fitting, Hose	4	51814 (03980752)
498	Cap Assembly	1	9615-0662 (38599577)
499	Capscrew	3	71324115
501	Spindle Switch Assembly ^(c)	1	382-32134-S (43807759)
502	Rod	4	382-31037 (71445639)
503	Washer	4	4520-1008 (38543484)
504	Nut	4	4300-3511 (38633079)
505	Cover, Housing	1	9615-0566 (38595880)
507	Fitting, Hose Tee	1	71457519
508	Hose	1	6804-5328 (38582326)
509	Fitting, Adapter	4	71457485
510	Label, Limit Switch Configuration	1	71459929
511	Label, Limit Switch Instructions, Underwind Winches Only	1	71462337
	Label, Limit Switch Instructions, Overwind Winches Only	1	71446439

Limit Switch (optional) Assembly Parts List

Item No.	Description of Part	Total Qty,	Part Number (CCN)
(d)	Chain	As Req'd	6903-3232 (38653663)
(d)	Chain Grip	1	9412-0206 (38711420)

(a) Includes items 476-481, 484-486 and 488-509.

(b) Recommended spare for one winch, 2 years of operation.

(c) Item not sold separately. Order Limit Switch Assembly, item 475.

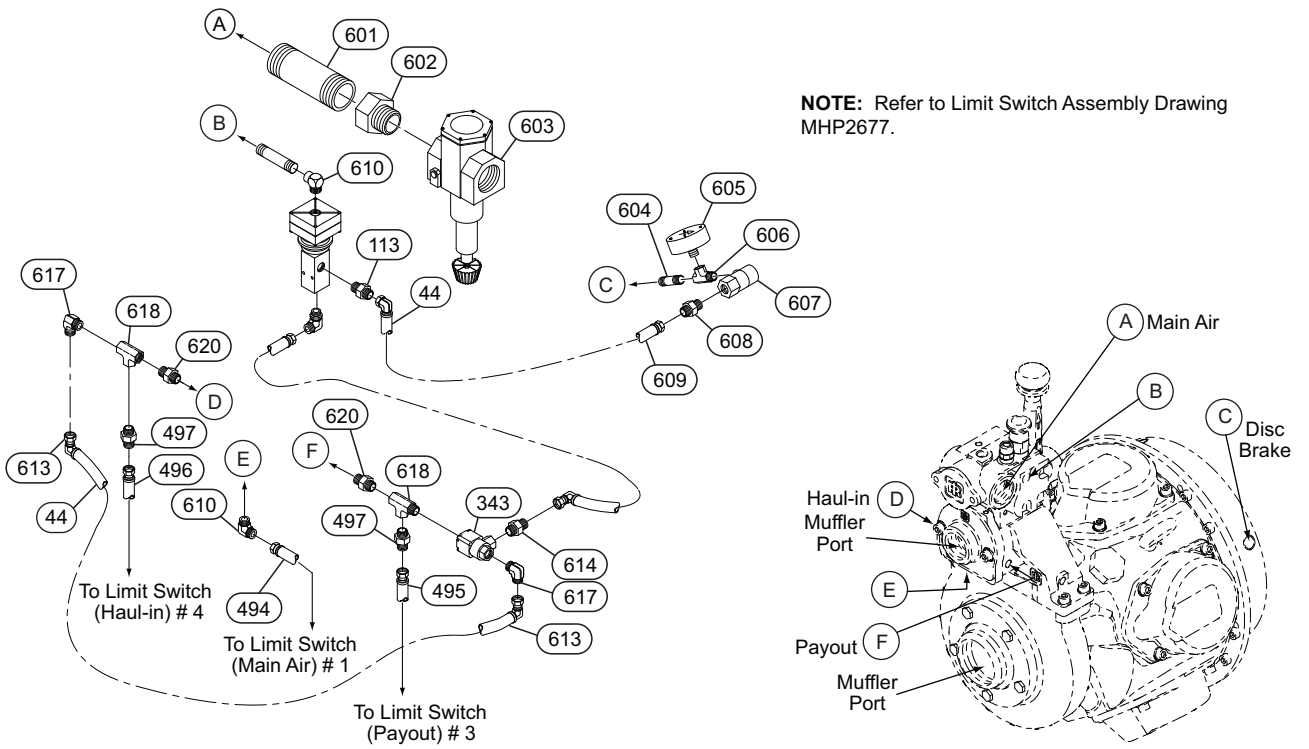
(d) Limit Switch Assembly items not sold separately

Note: If converting a winch to have a Limit Switch Assembly order item 450.

Table 7. Limit Switch (Optional) Assembly Kit List:

Item No.	Description of Part	Total Qty.	Part Number (CCN)
1017	Service Kit: Infinity Limit Switch (include items: 96, 97, 306, 485, 488, 489, 490, 491, 492, 493, 499, 502, 503, 504, 513, 582)	1	47534540001
1018	Replacement Kit: Limit Switch Assembly (include items: 510, 511, 479, 480, 481, 482, 485, 486, 488, 489, 490, 491, 492, 493, 497, 498, 499, 501, 502, 503, 504, 505, 507, 508, 509)	1	382-32134-S (43807759)

K5C2-EXLP/MRCE Connection Assembly Drawing



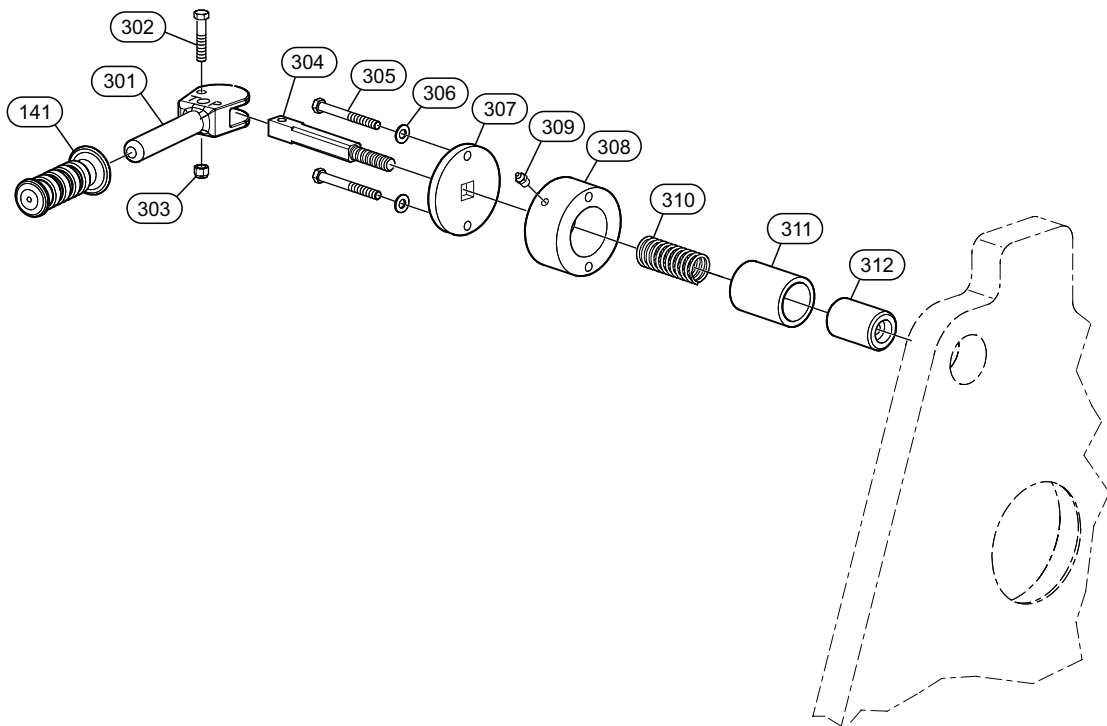
(Dwg. MHP3402)

K5C2-EXLP/MRCE Connection Assembly Parts List

Item No.	Description of Part	Total Qty.	Part Number
44	Hose	AR	50923 (03990215)
113	Fitting	3	51029 (03990298)
343	Shuttle Valve	1	50277 (03969466)
494	Hose Assembly	1	382-31423-8 (71457428)
495	Hose Assembly	1	382-31423-10 (71457444)
496	Hose Assembly	1	382-31423-9 (71457436)
497	Fitting	2	51814 (03980752)
499	Capscrew ^(a)	2	71324115
601	Fitting, Pipe	1	51810 (71226427)
602	Bushing, Pipe	1	51706 (71086409)
603	Regulator	1	382-34317 (45896693)
604	Fitting, Nipple	1	50859 (71063655)
605	Pressure Gauge	1	43806249
606	Fitting, Tee	1	71063374
607	Dump Valve	1	50276 (71025704)
608	Fitting, Vented	1	20770 (71121784)
	Fitting (tee fitting)	1	45937638
609	Disc Brake Tubing Kit	1	382-31888 (71467369)
610	Fitting	3	51281 (03895687)
611	Valve	1	51756 (03895703)
612	Fitting, Vented (angled)	1	382-31767 (71464440)
613	Fitting	6	52179 (03895729)
614	Fitting	1	54679 (360)
617	Fitting, Hose	2	52182 (03989431)
618	Fitting, Tee	2	71367916
620	Fitting	3	54274 (71086425)
621	PVC Pipe, 1/2 in. ^(a)	3	71387054
622	Loop Strap ^(a)	2	71459069

^(a) Item not illustrated, used for bundling hoses to siderail.

Drum Locking Pin (optional) Assembly Drawing and Parts List



(Dwg. MHP2675)

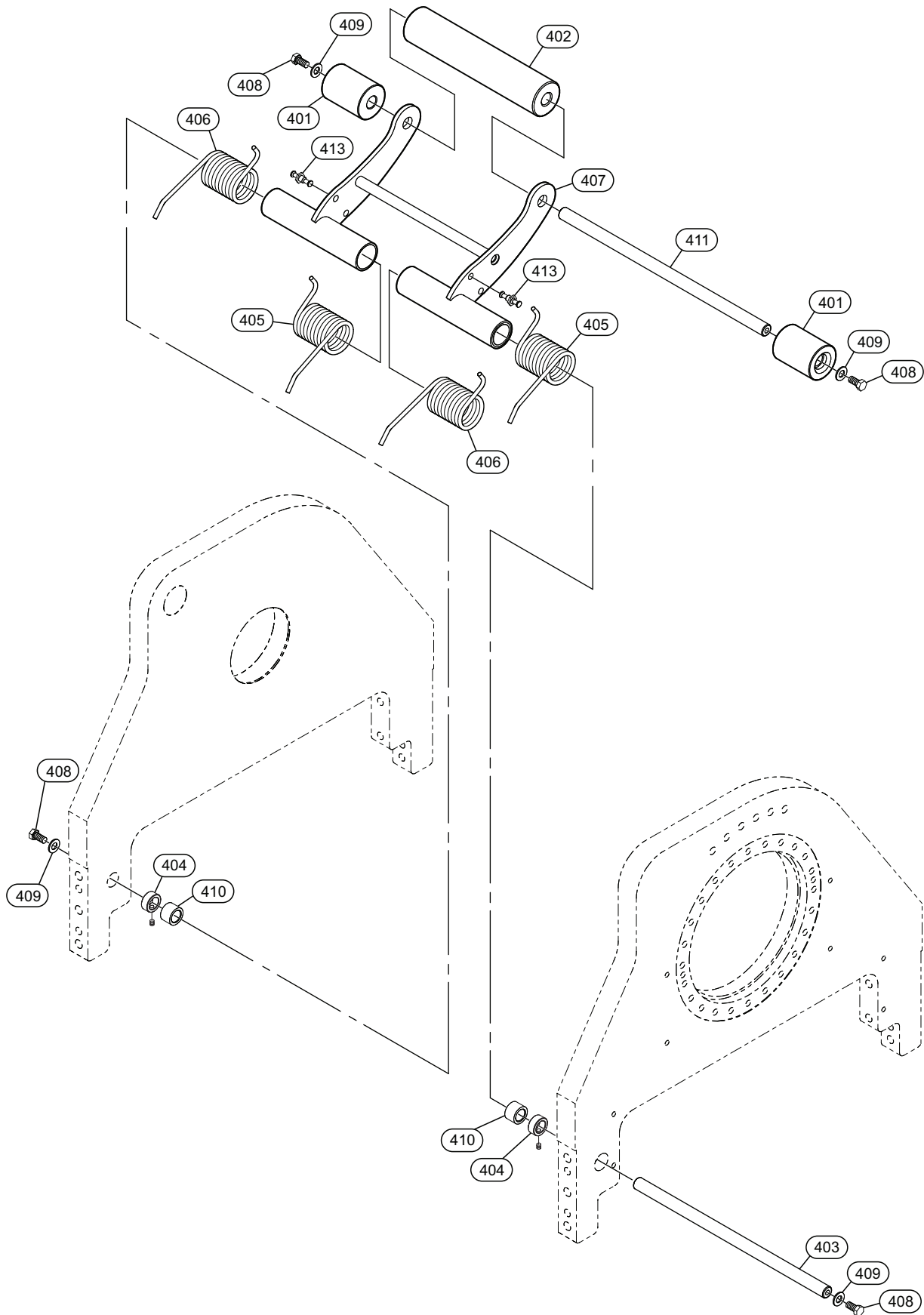
Item No.	Description of Part	Total Qty.	Part Number (CCN)	
			with Brake Band	without Brake Band
Common Items:				
300	Drum Locking Assembly	1	382-33103 (45870896)	
141	Handle Grip	1	71436851	
301	Handle	1	382-30639 (71435721)	
302	Capscrew	1	71445654	
303	Locknut	1	71069132	
304	Shaft	1	382-33172 (45872330)	
305	Capscrew	2	71467443	
306	Washer	2	52914 (71086466)	
307	Cover	1	382-33173 (45872348)	
308	Housing	1	382-33143 (45871803)	
309	Grease Fitting	1	71111942	
310	Spring	1	71436869	
311	Bushing	1	45871811	
312	Drum Lock Pin	1	382-33168 (45872322)	
313	Label, Drum Lock ^(a)	1	71465967	

^(a) Item not illustrated.

Table 8. Drum Locking Pin Kit List:

Item No.	Description of Part	Total Qty.	Part Number (CCN)
1019	Replacement Kit: Drum Locking Assembly (include items: 301, 302, 303, 304, 305, 306, 307, 308, 310, 311, 312)	1	47577996001

Press Roller Assembly Drawing



(Dwg. MHP2945)

Press Roller Assembly Parts List

Item No.	Description of Part	Total Qty.	Part Number	
			With Brake Band	Without Brake Band
400	Press Roller Assembly (24 inch Drum)	1	382-33457-5B (45878311)	382-33457-5 (45878303)
	Press Roller Assembly (30 inch Drum)		382-33457-6B (45878337)	382-33457-6 (45878329)
	Press Roller Assembly (36 inch Drum)		382-33457-7B (45878352)	382-33457-7 (45878345)
	Press Roller Assembly (40 inch Drum)		382-33457-8B (45878378)	382-33457-8 (45878360)
	Press Roller Assembly (50 inch Drum)		382-33457-9B (45878394)	382-33457-9 (45878386)
401	Roller, End (24 inch Drum)	2	382-33440-5 (45877883)	
	Roller, End (30 inch Drum)		382-33440-6 (45877891)	
	Roller, End (36 inch Drum)		382-33440-7 (45877909)	
	Roller, End (40 inch Drum)		382-33440-8 (45877917)	
	Roller, End (50 inch Drum)		382-33440-9 (45877925)	
403	Pivot Shaft (24 inch Drum)	1	382-33456-5B (45878204)	382-33456-5 (45878196)
	Pivot Shaft (30 inch Drum)		382-33456-6B (45878220)	382-33456-6 (45878212)
	Pivot Shaft (36 inch Drum)		382-33456-7B (45878246)	382-33456-7 (45878238)
	Pivot Shaft (40 inch Drum)		382-33456-8B (45878261)	382-33456-8 (45878253)
	Pivot Shaft (50 inch Drum)		382-33456-9B (45878287)	382-33456-9 (45878279)
411	Shaft (24 inch Drum)	1	382-33454-5 (45878139)	
	Shaft (30 inch Drum)		382-33454-6 (45878147)	
	Shaft (36 inch Drum)		382-33454-7 (45878154)	
	Shaft (40 inch Drum)		382-33454-8 (45878162)	
	Shaft (50 inch Drum)		382-33454-9 (45878170)	
Common Items				
402	Roller, Center	1	382-33439 (45877867)	
404	Collar	2	71443980	
405	Spring, Right	2	382-33442 (45877941)	
406	Spring, Left	2	382-33441 (45877933)	
407	Pivot Frame	1	382-33437 (45877859)	
408	Capscrew	4	71371652	
409	Washer	4	51009 (03898624)	
410	Bushing	2	71443816	
413	Pin, Retainer	2	382-30965 (71443790)	

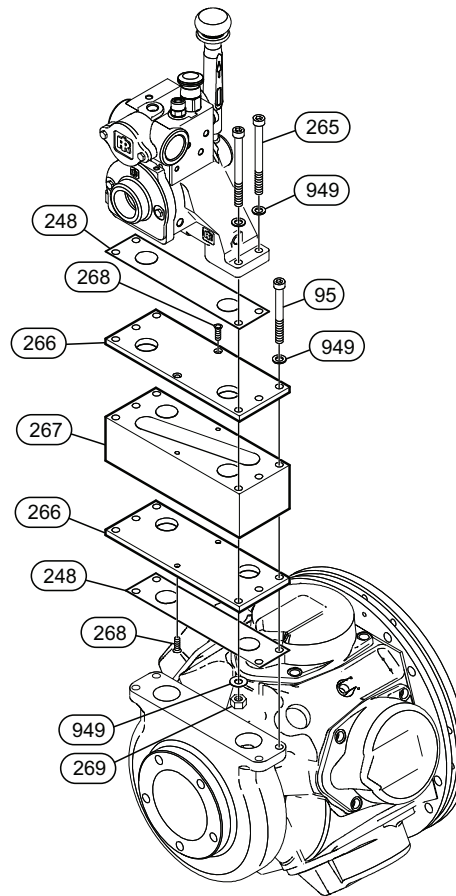
Table 9. Press Roller Kit List:

Item No.	Description of Part	Total Qty.	Part Number (CCN)
1020	Press Roller Kits 24 inch With Brake Band (include items: 413, 401, 405, 406, 403, 411, 402, 404, 407, 408, 409, 410)	1	47576958001
1021	Press Roller Kits 30 inch With Brake Band (include items: 413, 401, 405, 406, 403, 411, 402, 404, 407, 408, 409, 410)	1	47577042001
1022	Press Roller Kits 36 inch With Brake Band (include items: 413, 401, 405, 406, 403, 411, 402, 404, 407, 408, 409, 410)	1	47577044001
1023	Press Roller Kits 40 inch With Brake Band (include items: 413, 401, 405, 406, 403, 411, 402, 404, 407, 408, 409, 410)	1	47577067001

Table 9. Press Roller Kit List: (continued)

Item No.	Description of Part	Total Qty.	Part Number (CCN)
1024	Press Roller Kits 50 inch With Brake Band (include items: 413, 401, 405, 406, 403, 411, 402, 404, 407, 408, 409, 410)	1	47577069001
1025	Press Roller Kits 24 inch Without Brake Band (include items: 413, 401, 405, 406, 403, 411, 402, 404, 407, 408, 409, 410)	1	47577239001
1026	Press Roller Kits 30 inch Without Brake Band (include items: 413, 401, 405, 406, 403, 411, 402, 404, 407, 408, 409, 410)	1	47577244001
1027	Press Roller Kits 36 inch Without Brake Band (include items: 413, 401, 405, 406, 403, 411, 402, 404, 407, 408, 409, 410)	1	47577246001
1028	Press Roller Kits 40 inch Without Brake Band (include items: 413, 401, 405, 406, 403, 411, 402, 404, 407, 408, 409, 410)	1	47577255001
1029	Press Roller Kits 50 inch Without Brake Band (include items: 413, 401, 405, 406, 403, 411, 402, 404, 407, 408, 409, 410)	1	47577258001

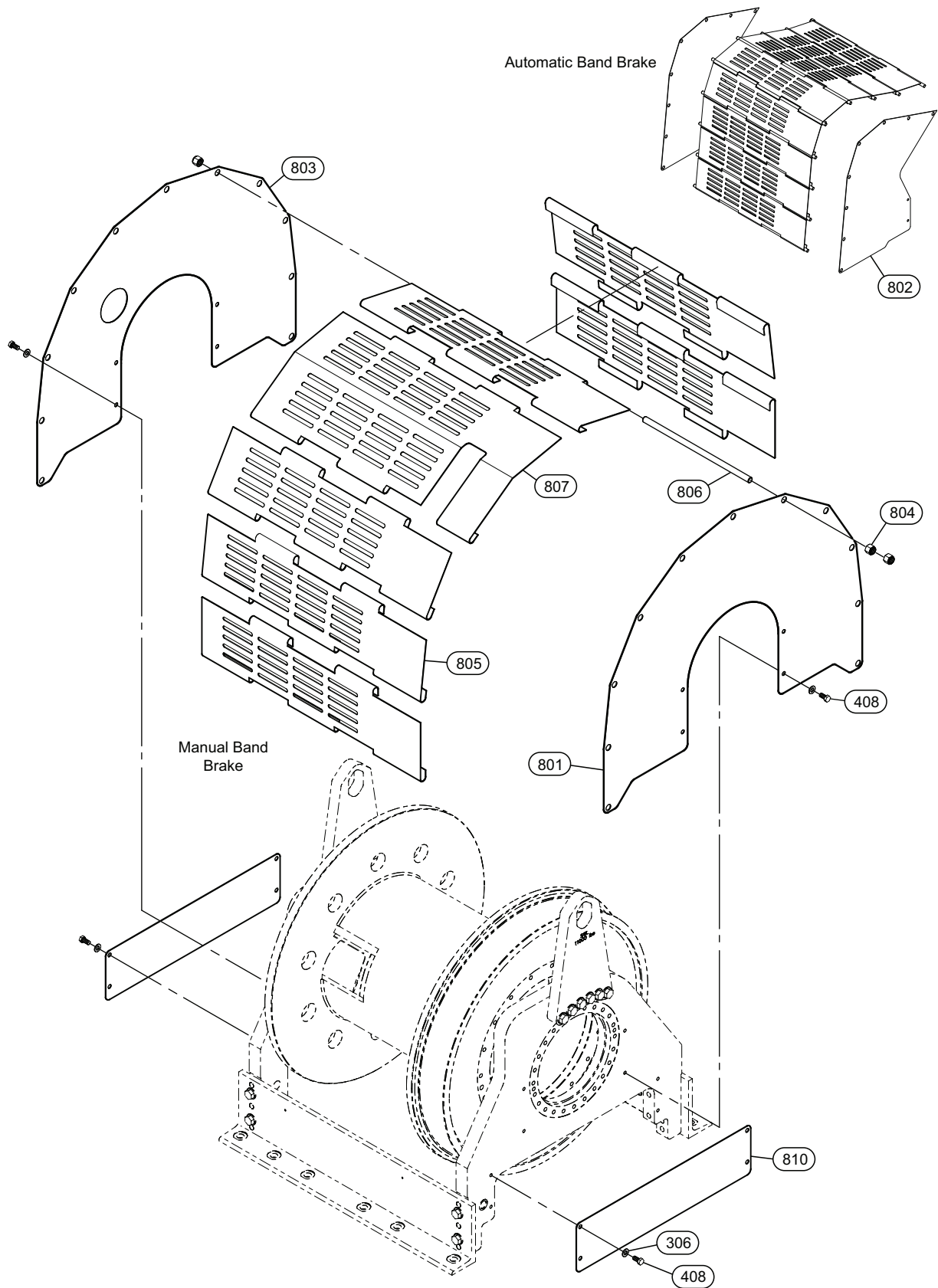
Underwind Reversing Manifold (optional) Assembly Drawing and Parts List



(Dwg. MHP2939)

Item No.	Description of Part	Total Qty.	Part Number
264	Reversing Manifold Assembly	1	28749 (71394639)
95	Capscrew	2	71106736
248	Gasket	2	K5B-547 (03885258)
265	Capscrew	4	71475073
266	Cover	2	W21008/89063 (71257240)
267	Manifold	1	W21007/89063 (71257232)
268	Capscrew	4	71262810
269	Nut	2	43805258
949	Washer	8	71413355

Drum Guard Assembly Drawing



(Dwg. MHP2946)

Drum Guard Assembly Parts List

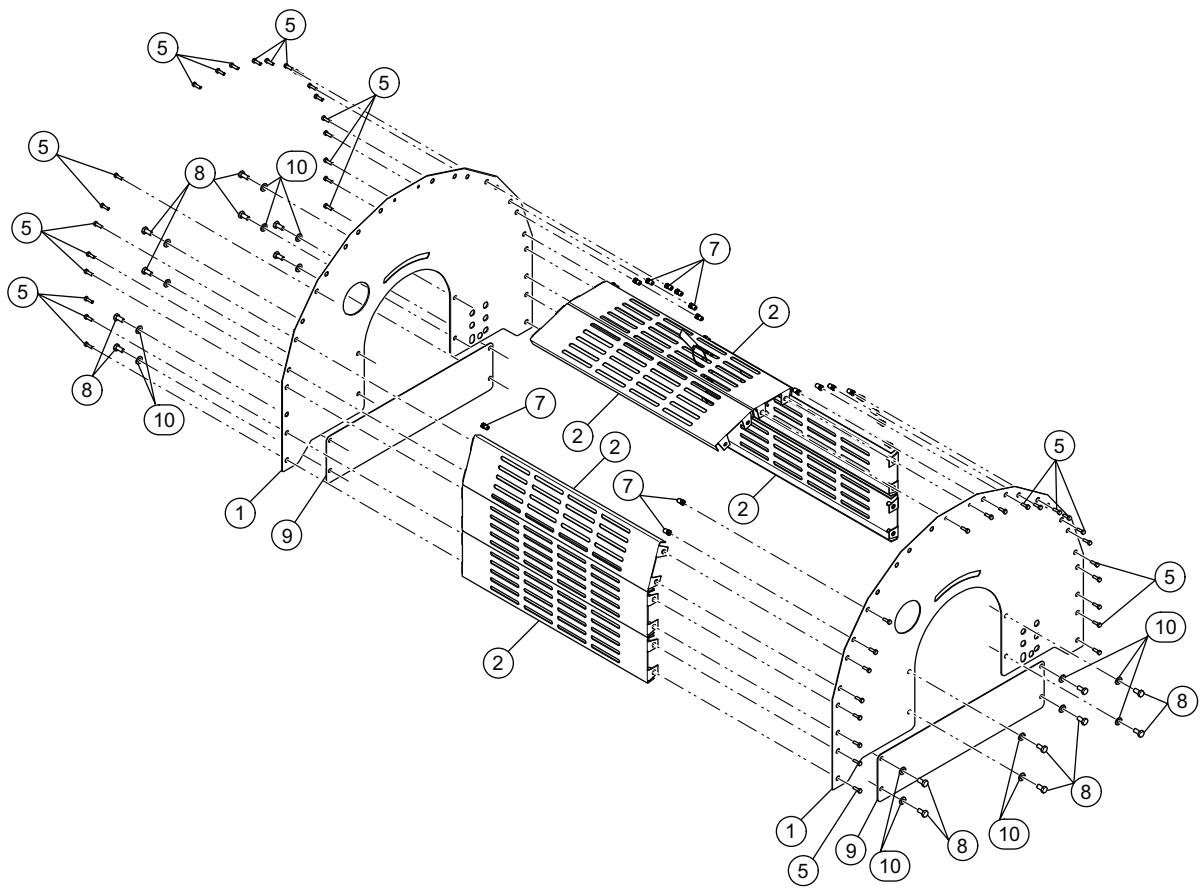
Item No.	Description of Part	Total Qty.	Part Number				
			24 Inch Drum	30 Inch Drum	36 Inch Drum	40 Inch Drum	50 Inch Drum
800	Drum Guard Assembly	1	382-33102-5 (45871688)	382-33102-6	382-33102-7 (45895703)	382-33102-8 (45871746)	382-33102-9
	Drum Guard Assembly Auto Band Brake		382-33102-5AB (45871696)	382-33102-6AB (45960895)	382-33102-7AB	382-33102-8AB (45871753)	382-33102-9AB
	Drum Guard Assembly Auto Band Brake & Drum Lock		382-33102-5ABL (45871704)	382-33102-6ABL	382-33102-7ABL	382-33102-8ABL (45871761)	382-33102-9ABL
	Drum Guard Assembly Manual Band Brake & Drum Lock		382-33102-5BL (45871720)	382-33102-6BL	382-33102-7BL (45959038)	382-33102-8BL (45871787)	382-33102-9BL
805	Guard Panel without Band Brake	6	382-33110-5 (45870995)	382-33110-6 (45871001)	382-33110-7 (45871019)	382-33110-8 (45871027)	382-33110-9
	Guard Panel with Band Brake	6	382-33110-5B (45871043)	382-33110-6B (45871050)	382-33110-7B (45871068)	382-33110-8B (45871076)	382-33110-9B
806	Crossbar without Band Brake	9	382-33136-5 (45871407)	382-33136-6 (45871423)	382-33136-7 (45871449)	382-33136-8 (45871464)	382-33136-9 (45890233)
	Crossbar with Band Brake	9	382-33136-5B (45871415)	382-33136-6B (45871431)	382-33136-7B (45871456)	382-33136-8B (45871472)	382-33136-9B (45890225)
807	Guard Panel with Band Brake	1	382-33111-5 (45871100)	382-33111-6 (45871118)	382-33111-7 (45871126)	382-33111-8 (45871134)	382-33111-9

Table 10. Common Parts List

Item No.	Description of Part	Total Qty.	Part Number
306	Washer	16	52914 (71086466)
408	Capscrew	16	71371652
801	Guard (inboard end)	1	382-32995 (43812577)
802	Guard (Auto Band Brake)	2	382-33107 (45870979)
803	Guard (outboard end)	1	382-32995-L (45871084)
804	Nut	18	71445415
810	Guard	2	382-33109 (45870987)
811	Label (no drum guard) ^(a)	1	71449714
812	Label (with drum guard) ^(a)	1	382-31662 (71462360)

^(a) Item not illustrated.

Drum Guard Assembly Drawing



(Dwg. MHP3895)

Drum Guard Assembly Parts List

Item No.	Description of Part	Total Qty.	Part Number				
			24 Inch Drum	30 Inch Drum	36 Inch Drum	40 Inch Drum	50 Inch Drum
	Drum Guard Assembly w/o Band Brake	1	382-37585-5 (45981826)	382-37585-6 (45981883)	382-37585-7 (45981941)	382-37585-8 (45982006)	382-37585-12 (45982063)
	Drum Guard Assembly w/ Manual Band Brake		382-37585-5B (45981834)	382-37585-6B (45981891)	382-37585-7B (45981958)	382-37585-8B (45982014)	382-37585-12B (45982071)
	Drum Guard Assembly w/ Manual Band Brake and Drum Lock		382-37585-5BL (45981842)	382-37585-6BL (45981909)	382-37585-7BL (45981966)	382-37585-8BL (45982022)	382-37585-12BL (45982089)
	Drum Guard Assembly w/ Drum Lock		382-37585-5L (45981859)	382-37585-6L (45981917)	382-37585-7L (45981974)	382-37585-8L (45982030)	382-37585-12L (45982097)
	Drum Guard Assembly w/ Auto Band Brake		382-37585-5AB (45981867)	382-37585-6AB (45981925)	382-37585-7AB (45981982)	382-37585-8AB (45982048)	382-37585-12AB (45982105)
	Drum Guard Assembly w/ Auto Band Brake and Drum Lock		382-37585-5ABL (45981875)	382-37585-6ABL (45981933)	382-37585-7ABL (45981990)	382-37585-8ABL (45982055)	382-37585-12ABL (45982113)
	Frame w/o Band Brake, w/o Drum Lock	2	382-37513-2 (45978848)				
	Frame w/o Band Brake, w/ Drum Lock	1	382-37513-2 (45978848)				
		1	382-37513-3 (45978855)				
	Frame w/ Manual Band Brake, w/o Drum Lock	2	382-37513-2 (45978848)				
	Frame w/ Manual Band Brake, w/ Drum Lock	1	382-37513-2 (45978848)				
		1	382-37513-3 (45978855)				
	Frame w/ Auto Band Brake, w/ o Drum Lock	2	382-37513-2 (45978848)				
		2	382-37515 (45978616)				
	Frame w/ Auto Band Brake, w/ Drum Lock	1	382-37513-2 (45978848)				
		1	382-37513-3 (45978855)				
		2	382-37515 (45978616)				
	2	Panel w/o Band Brake	9	382-37509-5 (45978566)	382-37509-6 (45978657)	382-37509-7 (45978673)	382-37509-8 (45978681)
Panel w/ Manual Band Brake		7	382-37510-5B (45978574)	382-37510-6B (45978707)	382-37510-7B (45978723)	382-37510-8B (45978731)	382-37510-12B (45978749)
Forming Panel w/ Manual Band Brake		1	382-37512-5 (45978590)	382-37512-6 (45978798)	382-37512-7 (45978806)	382-37512-8 (45978814)	382-37512-12 (45978822)
Panel w/ Auto Band Brake		9	382-37510-5B (45978574)	382-37510-6B (45978707)	382-37510-7B (45978723)	382-37510-8B (45978731)	382-37510-12B (45978749)
Panel Top w/ Auto Band Brake		1	382-37511-5 (45978582)	382-37511-6 (45978756)	382-37511-7 (45978764)	382-37511-8 (45978772)	382-37511-12 (45978780)

Table 11. Common Parts List

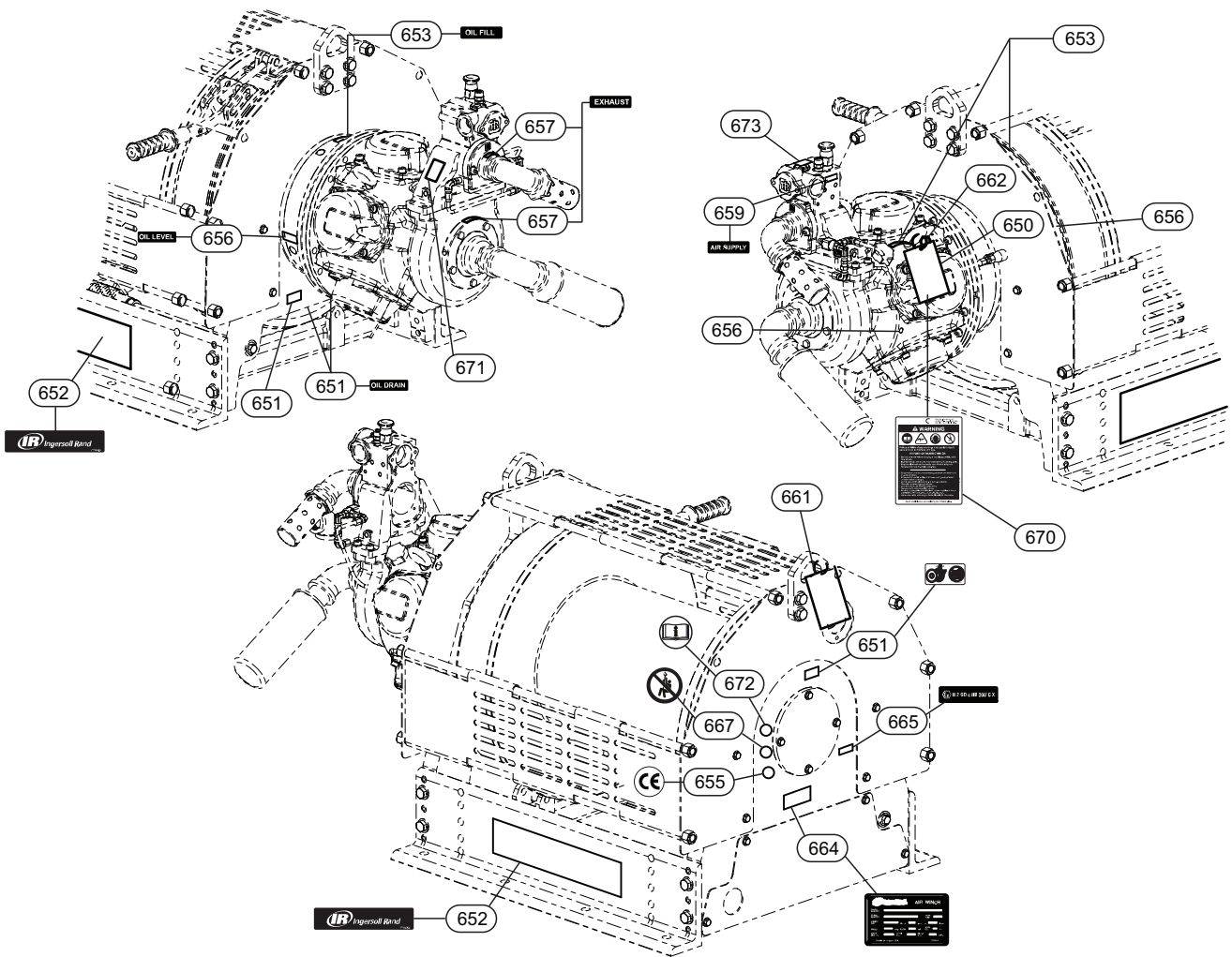
Item No.	Description of Part	Total Qty.	Part Number
(a)	Label (with Drum Guard)	1	382-31662 (71462360)
5	Threaded Insert	36	45979051
7	Bolt	36	45979069
8	Capscrew	16	71371652
9	Upright Guard	2	382-33109 (45870987)
10	Washer	16	52914 (71086466)

Table 11. Common Parts List (continued)

Item No.	Description of Part	Total Qty.	Part Number
—	Washer	36	50918 (03962412)
—	Washer	20	45979812

^(a) Item not illustrated.

Label and Tags Drawing



(Dwg. MHP2718)

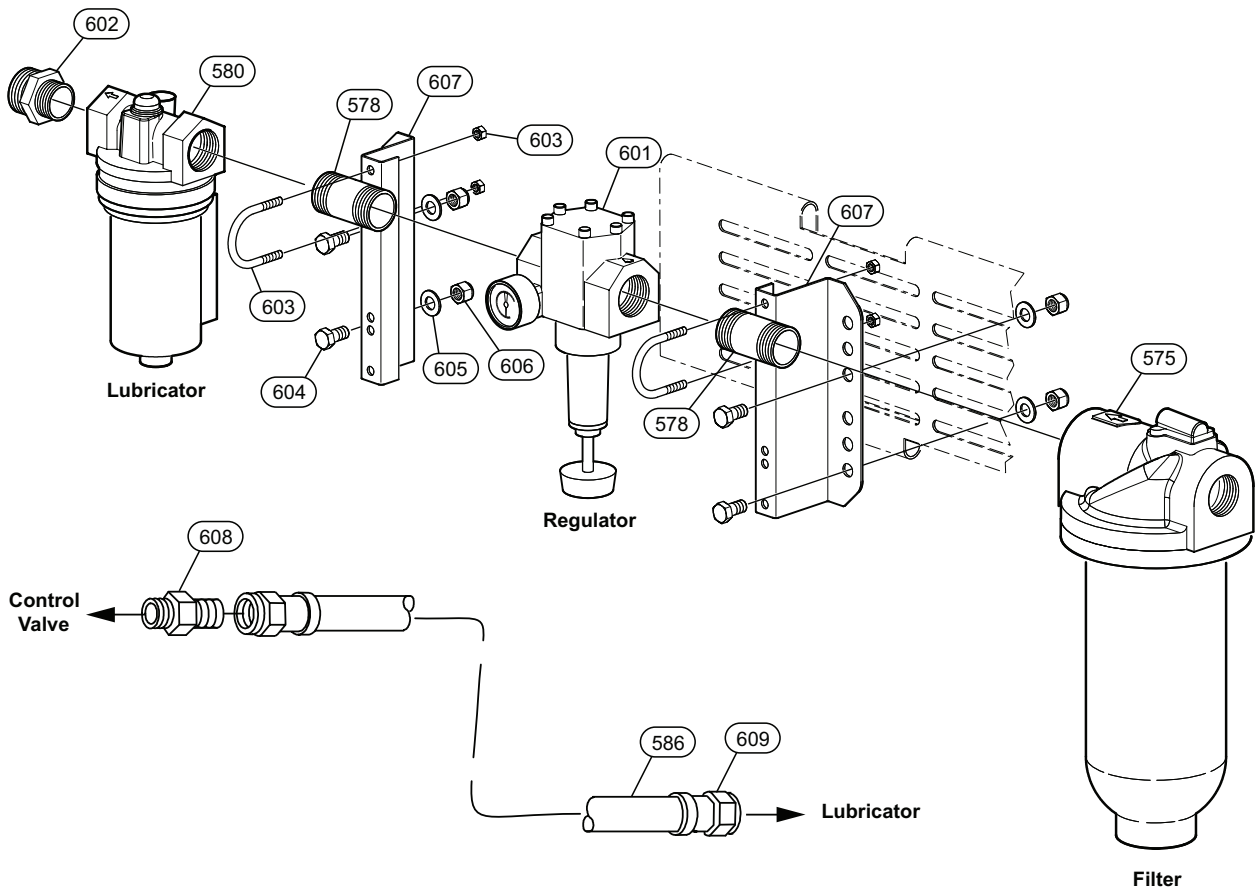
Label and Tags Parts List

Item No.	Description of Part	Total Qty.	Part Number
89	Rivet	4	71028849
650	Tag Kit, Warning – Utility	1	29452 (71410567)
651	Label, Overwind	2	71462725
	Label, Underwind		71462733
652	Label, IR Logo 24 + in. drum	1	71109102
653	Label, Oil Fill	3	71042204
656	Label, Oil Level	3	71043616
657	Label, Exhaust	2	71042196
659	Label, Air Supply	1	71046395
661	Tag Kit, Drum Guard	1	382-31662-S (45925633)
662	Tag, Check Oil Level	1	382-31664 (71462386)
663	Label, Notice - Pressure Guage	1	45925260
664	Data (Name) Plate - Utility CE & -E	1	71373815
	Data (Name) Plate - Utility	1	71070643
665	Label, ATEX (CE, MRCE & -E)	1	71427413
667	Label, Do Not Lift People - Utility	1	9618-0100 (DNM38543872)
668	Label, Oil Drain	3	71042188
669	Tag Kit, Aftermarket	1	382-31663 (71462378)
670	Tag, Encompass Inspected	1	71462709
671	Label, Warning	1	71289362
672	Label, CE	1	71153464
673	Label	1	9618-0102 (38543880)

Notes:

1. *Not all labels are illustrated. Some labels are on component assembly drawings.*
2. *Some labels may not be applicable to your product, refer to products date (name) plate and the Information Manual for specific model.*
3. *For a replacement data (name) plate (664) a model and serial number are be required.*

Air Preparation Assembly Drawing



(Dwg. MHP2679)

Air Preparation Assembly Parts List

Item No.	Description of Part	Total Qty.	Part Number (CCN)
- - -	Air Preparation Assembly	1	382-31020 (71445209)
575	Filter 1-1/2 NPT	1	F35581-411 (15327851)
578	Pipe Nipple	2	71311260
580	Lubricator 1-1/2 NPT	1	L36581-110 (15328107)
586	Hose, bulk (4 ft [1.22 mm]) ^(a)	1	47519434009
601	Regulator	1	382-35598 (45921814)
603	U-Bolt	2	71445308
604	Capscrew	4	71391080
605	Washer	4	71445324
606	Nut	4	71445316
607	Bracket	2	382-31021 (71445225)
608	Hose Fitting	2	54738 (71075899)
609	Fitting, Connector ^(b)	1	71106520
(c)	Fitting	1	71391064

^(a) Length as required for installation.

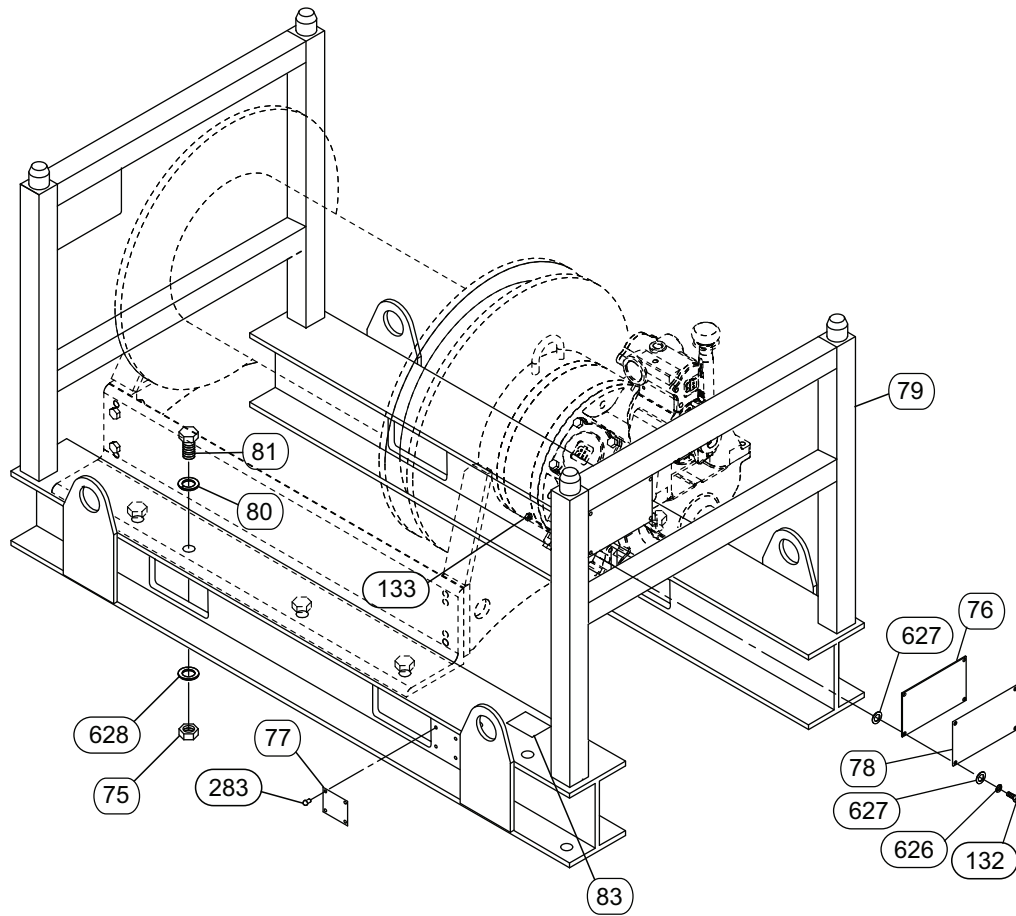
^(b) Requires special tool to install fitting into hose ends.

^(c) Air preparation components for 1-1/2 inch FNPT system.

Table 12. Air Preparation Assembly Kit List:

Item No.	Description of Part	Total Qty.	Part Number (CCN)
1030	Replacement Kit: Air Preparation Assembly (include items: 575, 578, 580, 586, 601, 603, 604, 605, 606, 607, 608 and 609)	1	382-31020-S (43803451)
1031	Replacement Kit: Filter (include items: 575, 578)	1	47533243001
1032	Replacement Kit: Regulator (include items: 578 and Regulator Assembly)	1	47533246001
1033	Replacement Kit: Lubricator (include items: 578, 580)	1	47533239001

Construction Cage (optional) Assembly Drawing and Parts List



(Dwg. MHP2045)

Item No.	Description of Part	Total Qty.	Part Number	
			With Band Brake	Without Band Brake
75	Nut	12	71441471	
76	Label, Specifications	1	Contact Factory	
77	Nameplate	1		
78	Cover	1	27426 (71359103)	
79	Construction Cage	1	Contact Factory	
80	Lockwasher	12	52837 (03899952)	
81	Capscrew	12	71357735	
83	Warning Label	1	45892973	
132	Capscrew	4	52837 (03899952)	
133	Nut	4	50852 (03962396)	
283	Rivet	4	50915 (03969557)	
626	Lockwasher	4	71268890	
627	Washer	8	71447114	
628	Washer	12	71441505	

Kits and Accessories

Description of Part	CCN
Lubricant	LUBRI-LINK-GREEN
Overhaul Kit: FA10i with K5C Valve, Auto Disc Brake, and Auto Band Brake	47579413001
Overhaul Kit: FA10i with K5C Valve, Auto Disc Brake, and Manual Band Brake	47579416001
Overhaul Kit: FA10i with K5C Valve and Auto Disc Brake	47579988001
Overhaul Kit: FA10i with K5C Valve and Auto Band Brake	47579990001
Overhaul Kit: FA10i with K5C Valve and Manual Band Brake	47580170001
Overhaul Kit: FA10i with PTV1 Valve, Auto Disc Brake, and Auto Band Brake	47580175001
Overhaul Kit: FA10i with PTV1 Valve, Auto Disc Brake, and Manual Band Brake	47580178001
Overhaul Kit: FA10i with PTV1 Valve and Auto Disc Brake	47580397001

Warranty

Ingersoll Rand Limited Warranty

Ingersoll Rand Company (“IR”) warrants to the original user its material handling products (“Products”) to be free of defects in material and workmanship for a period of one year from the date of purchase. **IR** will, at its option either (1) repair, without cost, any Product found to be defective, including parts and labor charges, or (2) replace such Products or refund the purchase price, less a reasonable allowance for depreciation, in exchange for the Product. Repairs or replacements are warranted for the remainder of the original warranty.

If any Product proves defective within its original one-year warranty period, it should be returned to any Authorized Product Service Distributor, transportation prepaid with proof of purchase or warranty card. This warranty does not apply to Products which **IR** has determined to have been misused or abused, improperly maintained by the user, or where the malfunction or defect can be attributed to the use of nongenuine **IR** repair parts.

IR MAKES NO OTHER WARRANTY, CONDITION OR REPRESENTATION OF ANY KIND WHATSOEVER, EXPRESSED OR IMPLIED, STATUTORY OR OTHERWISE, AND ALL IMPLIED WARRANTIES AND CONDITIONS RELATING TO MERCHANTABILITY AND FITNESS FOR A PARTICULAR PURPOSE, ARE HEREBY DISCLAIMED.

IR's maximum liability is limited to the purchase price of the Product and in no event shall **IR** be liable for any consequential, indirect incidental or special damages of any nature arising from the sale or use of the Product, whether in contract, tort or otherwise.

Note: *Some states do not allow limitations on incidental or consequential damages, so that the above limitations may not apply to you. This warranty gives you specific legal rights and you may also have other rights which may vary from state to state.*

Fulcrum series electric winch, product code 405-002: 2 year warranty.

Winch and Hoist Solutions Extended Warranty This option provides a price for extending the **Ingersoll Rand** Winch and Hoist Solutions Warranty from the standard one (1) year to two (2) years from the date of purchase. All other provisions of the standard warranty to remain in effect.

For additional information or quotations for warranties falling outside of these parameters, please contact your Client Services Representative with your requirements.



Ingersoll Rand (NYSE: IR) advances the quality of life by creating comfortable, sustainable and efficient environments. Our people and our family of brands—including Club Car®, Ingersoll Rand®, Thermo King® and Trane®—work together to enhance the quality and comfort of air in homes and buildings; transport and protect food and perishables; and increase industrial productivity and efficiency. We are a global business committed to a world of sustainable progress and enduring results.



ingersollrand.com



Ingersoll Rand has a policy of continuous product and product data improvements and reserves the right to change design and specifications without notice.
We are committed to using environmentally conscious print practices.