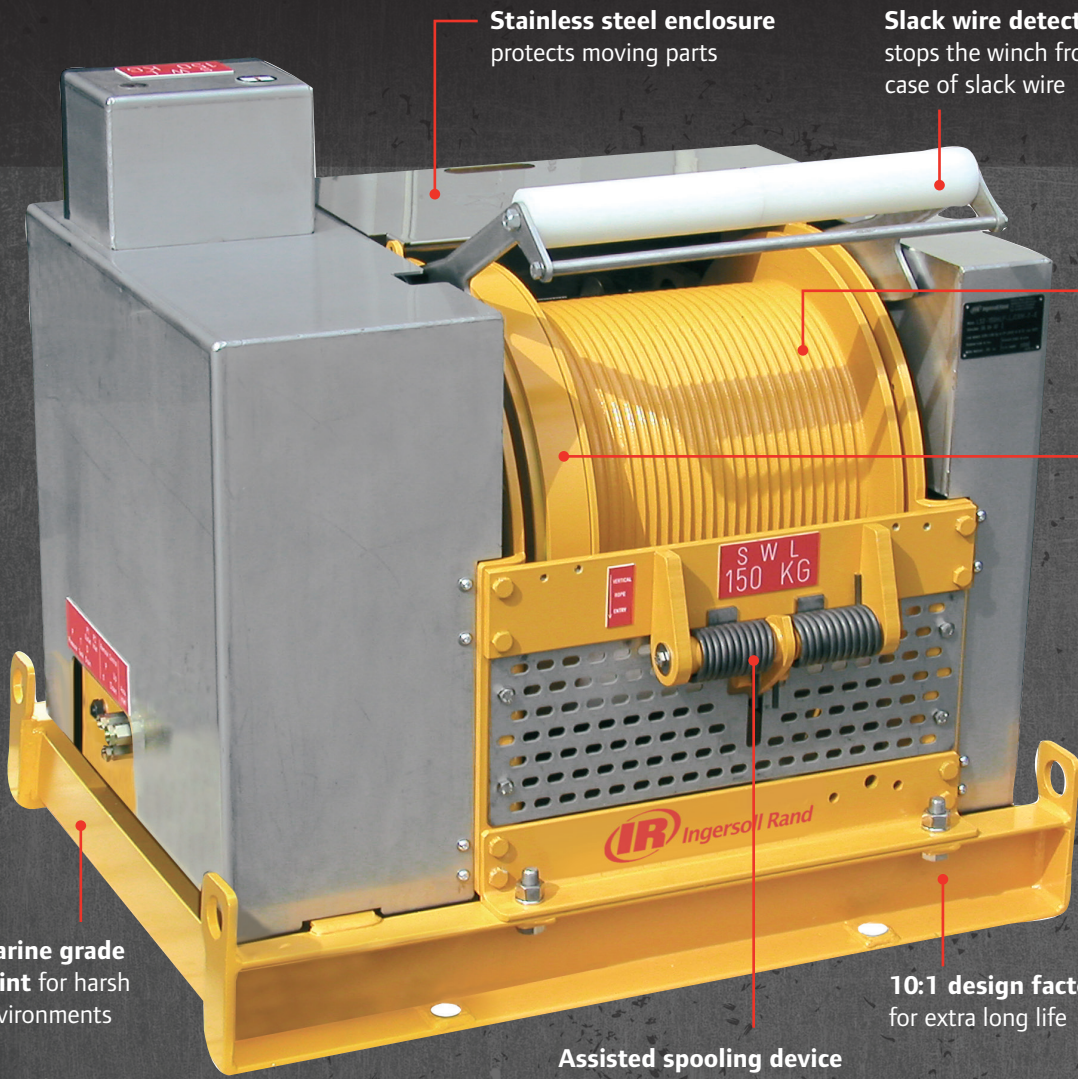




Liftstar Dedicated Man Rider[®] Hydraulic Winch

150 kg (330 lb)



Stainless steel enclosure protects moving parts

Slack wire detector automatically stops the winch from paying out in case of slack wire

Helical grooved drum ensures better rope spooling than plain drum

Two automatic brakes for maximum rider protection and safety

Marine grade paint for harsh environments

10:1 design factor for extra long life

Assisted spooling device presses the wire rope onto the drum to improve winding, especially at no load condition

Ideal for:



Onshore



Offshore



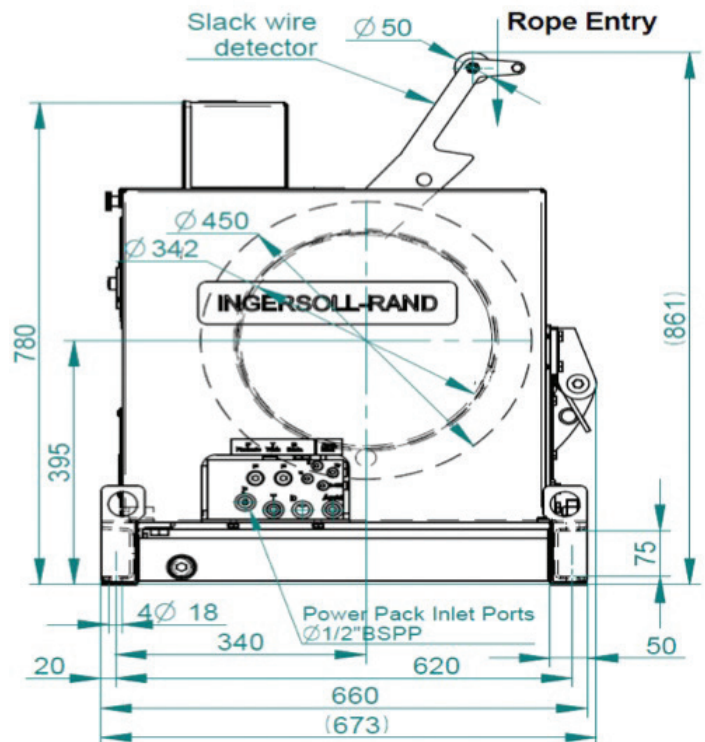
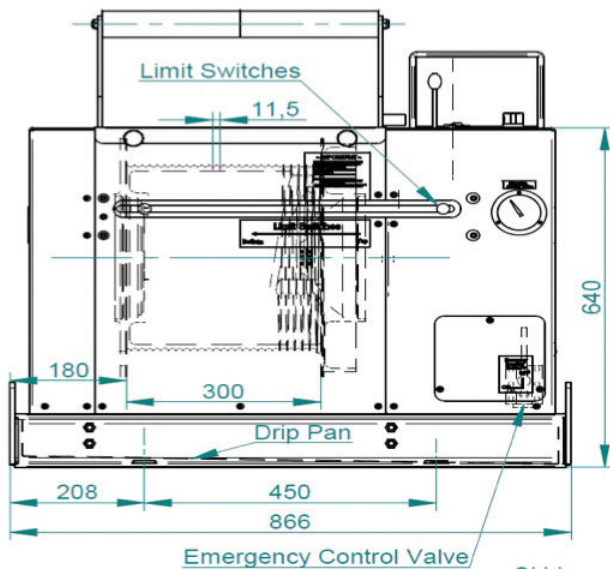
Marine



Liftstar Dedicated Man Rider® Hydraulic Winch

150 kg (330 lb)

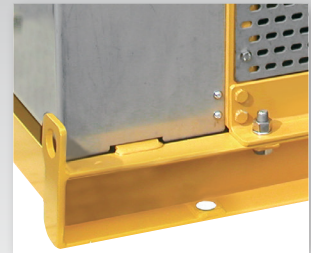
Ingersoll Rand Liftstar Hydraulic Man Rider® winches are specifically designed for safe and reliable personnel lifting. They feature a tough, full-stainless steel enclosure that protects moving parts and marine grade paint to stand up to harsh environments. Liftstar Hydraulic Man Rider® winches include multiple fail-safe features such as emergency stop and emergency lifting and lowering devices to help keep your personnel safe. Designed to meet the latest regulations including CE, ATEX and DNV type approval, Ingersoll Rand Liftstar Hydraulic Man Rider® winches work wherever you do. Built with our decades of experience, count on Ingersoll Rand's time-proven design wherever you need to lift or lower people.



Dimensions shown are mm. Dimensions are subject to change. Contact factory for certified drawings.



Available Options



Offshore paint with sandblasting and carbozinc primer



Optional radio remote controls

For more options or custom configuration, please contact us at www.ingersollrandproducts.com/lifting or lifting@irco.com

General Performance. Performance based on a 10:1 design factor

Model	Line Pull Capacity			Line Speed		
	First Layer kg (lb)	Mid Drum kg (lb)	Top Layer kg (lb)	First Layer m/min (fpm)	Mid Drum m/min (fpm)	Top Layer m/min (fpm)
LS2-150HLP	150 (330)	150 (330)	150 (330)	28 (92)	29 (96)	30 (98)

General Characteristics. Performance based on a 10:1 design factor

Model	Lifting Speed at Top Layer m/min (f/fpm)	Max Flow with Rated Load l/min (gal/min)	Operating Pressure bar (psi)	Net Weight kg (lb)
	LS2-150HLP	30 (98)	10 (2.64)	105 (1,523)

Drum Capacity

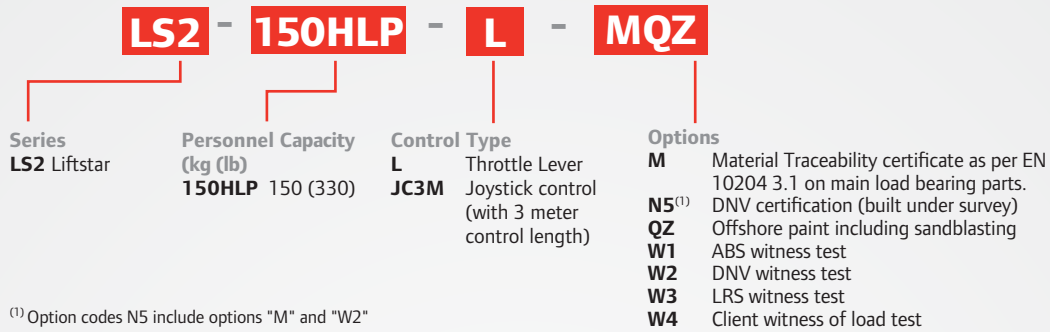
Model	Minimum Rope Breaking Force ⁽¹⁾ kN (lbs)	Recommended Rope Diameter mm (in)	Drum Capacity per Layer ⁽²⁾ m (ft)					Max. Rope Storage Capacity ⁽³⁾ m (ft)
			Layer 1	Layer 2	Layer 3	Layer 4	Layer 5	
LS2-150HLP	14.7 (3,300)	10 (3/8)	24 (78)	54 (177)	85 (278)	118 (387)	154 (505)	154 (505)

⁽¹⁾ Recommended minimum breaking force of wire rope based on top layer line pull rating.

⁽²⁾ Drum Capacity is based on tightly wound wire rope. Recommended drum working capacity is 80% of values shown.

⁽³⁾ Max storage capacity is tightly wound with no freeboard.

How to Order



A Tradition of Proven Reliability, Efficiency and Productivity



No matter where you are located, Ingersoll Rand is committed to serving and providing you with the necessary information with regard to our products and services. Our world-wide network of distributors, certified technicians and engineers are a telephone call away — ready to support you with innovative and cost-effective solutions that will keep your business running at peak performance.



For More Information www.ingersollrandproducts.com/lifting lifting@irco.com

Ingersoll Rand, IR, the IR logo and Impactool are trademarks of Ingersoll Rand, its subsidiaries and/or affiliates. All other trademarks are the property of their respective owners. Nothing contained on these pages is intended to extend any warranty or representation, expressed or implied, regarding the product described herein. Any such warranties or other terms and conditions of sale of products shall be in accordance with Ingersoll Rand's standard terms and conditions of sale for such products, which are available upon request. Product improvement is a continuing goal at Ingersoll Rand. Designs and specifications are subject to change without notice or obligation. Unless otherwise noted this equipment is not designed for transporting people or lifting loads over people. It is the user's responsibility to determine the suitability of this product for any particular use and to check compliance with applicable regulations. Before installation, see maintenance and operations manual for additional warnings and precautions.