



Liftchain Trolley Mount Air Chain Hoist

1.5-100 ton

All steel construction
for better durability

Trolleys available in plain, gear or motorized versions for maximum adaptability

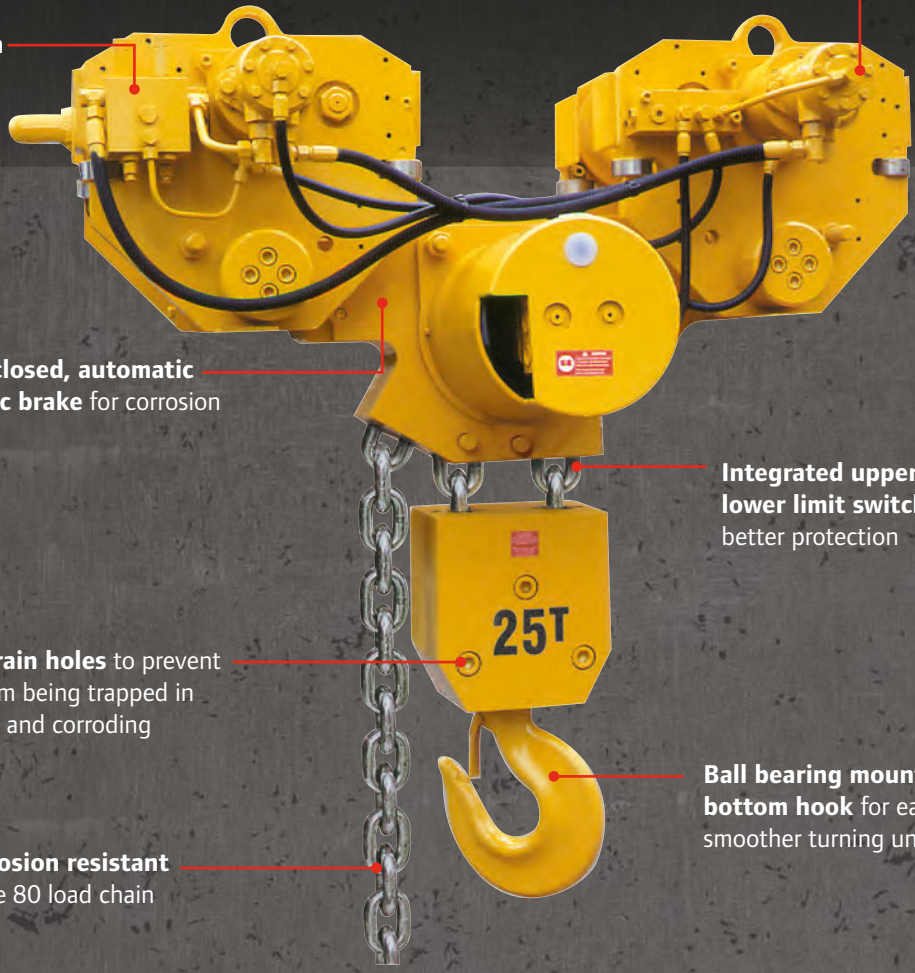
Fully enclosed, automatic multi disc brake for corrosion resistance

Integrated upper and lower limit switches for better protection

Water drain holes to prevent water from being trapped in the block and corroding

Ball bearing mounted bottom hook for easier, smoother turning under load

Corrosion resistant grade 80 load chain



Ideal for:



Shipbuilding



Metals



Heavy Construction



Liftchain Trolley Mount Air Chain Hoist

1.5-100 tons

Ingersoll Rand Liftchain Hoists are the most advanced heavy-lifting hoists in the Ingersoll Rand hoist line. They incorporate all the best features we've developed from our decades of experience into a compact, modular frame. Trolley Mounted versions allow you to move the load along a beam to place it exactly where you need it. Whether you need a plain, geared or motorized trolley, count on Liftchain trolley mounted hoists to get the job done.

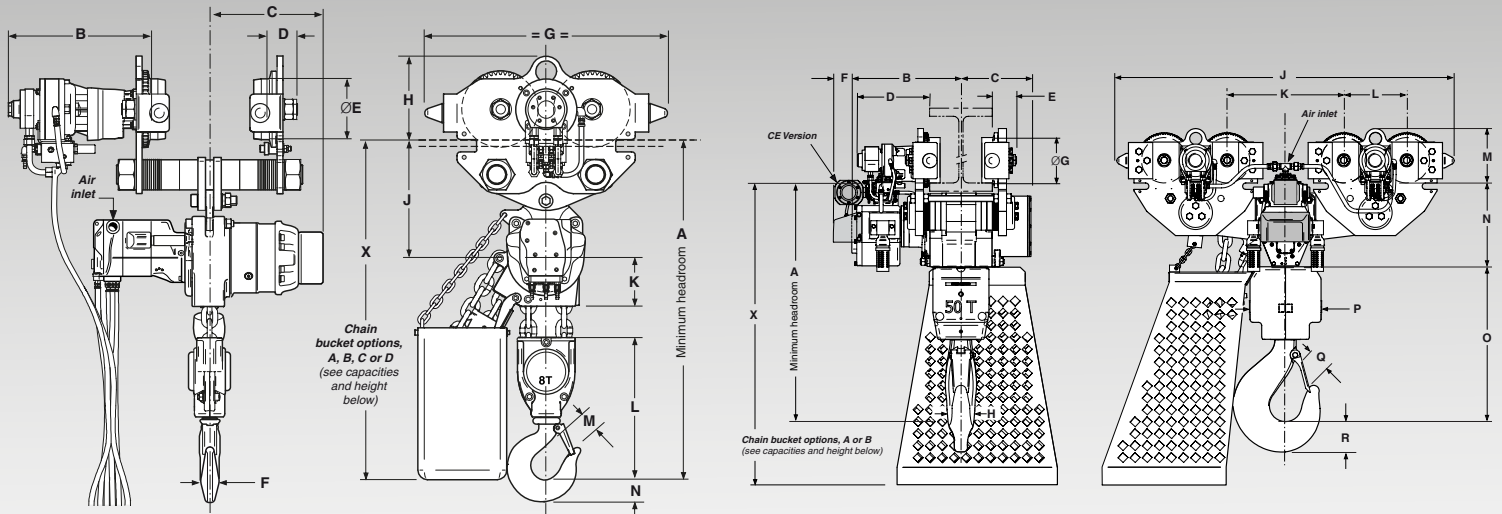
| General Characteristics | | | | | | | | | | | |
|-------------------------|------------------|-----------------|------------------|---|--|------------------------|---|---------|---------|---------|--------------|
| Model | Lifting Capacity | Reeves of Chain | Headroom mm (in) | Trolley Flange Adjustment Range mm (in) | Hoist Weight with 3m (10ft) of chain kg (lb) | Trolley Weight kg (lb) | Weight per additional meter of lift kg (lb) | | | | |
| | Metric Tons | | | | | | mm (in) | kg (lb) | mm (in) | kg (lb) | mm (in) |
| LC2A015SI | 1.5 | 1 | 480 (18.9) | 80-200 (3.2-7.9) | 38 (84) | 57 (126) | | | | | 1.5 (3.3) |
| LC2A030DI | 3 | 2 | 592 (23.3) | 80-200 (3.2-7.9) | 48 (106) | 55 (121) | | | | | 3.0 (6.6) |
| LC2A040SI | 4 | 1 | 590 (23.2) | 80-200 (3.2-7.9) | 90 (198) | 55 (121) | | | | | 3.8 (8.4) |
| LC2A060QI | 6 | 4 | 702 (27.6) | 100-310 (3.9-12.2) | 74 (163) | 143 (315) | | | | | 6.0 (13.2) |
| LC2A060SI | 6 | 1 | 730 (28.7) | 100-310 (3.9-12.2) | 125 (276) | 142 (313) | | | | | 5.7 (12.6) |
| LC2A080DI | 8 | 2 | 815 (32.1) | 100-310 (3.9-12.2) | 118 (260) | 142 (313) | | | | | 7.6 (16.8) |
| LC2A120DI | 12 | 2 | 995 (39.2) | 130-310 (5.1-12.2) | 170 (375) | 182 (401) | | | | | 11.4 (25.1) |
| LC2A125SI | 12.5 | 1 | 1000 (39.4) | 160-310 (6.3-12.2) | 395 (871) | 175 (386) | | | | | 10.7 (23.6) |
| LC2A180TI | 18 | 3 | 1195 (47.1) | 140-310 (5.5-12.2) | 277 (611) | 375 (826) | | | | | 17.1 (37.7) |
| LC2A250QI | 25 | 4 | 1240 (48.8) | 140-310 (5.5-12.2) | 324 (714) | 376 (829) | | | | | 23.0 (50.7) |
| LC2A250DI | 25 | 2 | 990 (39.0) | 160-310 (6.3-12.2) | 558 (1,230) | 377 (831) | | | | | 21.4 (47.2) |
| LC2A375TI | 37.5 | 3 | 1134 (44.6) | 160-310 (6.3-12.2) | 855 (1,885) | 730 (1,609) | | | | | 32.1 (70.8) |
| LC2A500QI | 50 | 4 | 1182 (46.5) | 160-310 (6.3-12.2) | 965 (2,127) | 770 (1,698) | | | | | 42.8 (94.4) |
| LCA750TI | 75 | 3 | 1845 (72.6) | 160-310 (6.3-12.2) | 1,700 (3,748) | 2,800 (6,172) | | | | | 73.5 (162.0) |
| LCA1000QI | 100 | 4 | 1901 (74.8) | 160-310 (6.3-12.2) | 2,200 (4,850) | 2,500 (5,512) | | | | | 98.0 (216.1) |

| Performance | | | | | | | | | | | | |
|-------------|------------------------------|-----------------------|---------------------|-----------------------|----------------------------|---|--------------------------------|---|---|--------------------------------------|-----------------------------|-----------------|
| Model | Lifting Capacity Metric Tons | Hoist Performance | | | | | Trolley Performance | | | | | |
| | | Lifting Speed | | | Lowering speed m/min (fpm) | Required Air Flow m ³ /min (cfm) | Working Air Pressure bar (psi) | Powered Trolley Traverse Speed ⁽¹⁾ m/min (fpm) | Required Air Flow m ³ /min (cfm) | Working Hydraulic Pressure bar (psi) | Minimum Curve Radius m (ft) | Sound Level dbA |
| | | Full Load m/min (fpm) | No Load m/min (fpm) | Full Load m/min (fpm) | | | | | | | | |
| LC2A015SI | 1.5 | 6.2 (20.3) | 11 (36.1) | 8.5 (27.9) | 4 (141) | 6.3 (90) | 21 (69) | 1.3 (45.9) | 6.3 (90) | 2 (6.6) | 78 | |
| LC2A030DI | 3 | 3 (9.8) | 5.5 (18) | 4 (13.1) | 4 (141) | 6.3 (90) | 17 (56) | 1.3 (45.9) | 6.3 (90) | 2 (6.6) | 78 | |
| LC2A040SI | 4 | 3.9 (12.8) | 7 (23) | 4.5 (14.8) | 4.5 (159) | 6.3 (90) | 15 (49) | 1.3 (45.9) | 6.3 (90) | 2 (6.6) | 76 | |
| LC2A060QI | 6 | 1.5 (4.9) | 2.5 (8.2) | 2 (6.6) | 4 (141) | 6.3 (90) | 15 (49) | 1.3 (45.9) | 6.3 (90) | 3 (9.9) | 78 | |
| LC2A060SI | 6 | 2.2 (7.2) | 3.6 (11.8) | 2.7 (8.9) | 5.2 (184) | 6.3 (90) | 15 (49) | 1.3 (45.9) | 6.3 (90) | 3 (9.9) | 79 | |
| LC2A080DI | 8 | 1.8 (5.9) | 3.5 (11.5) | 2.2 (7.2) | 4.4 (155) | 6.3 (90) | 12 (40) | 1.3 (45.9) | 6.3 (90) | 3 (9.9) | 76 | |
| LC2A120DI | 12 | 1.1 (3.6) | 1.8 (5.9) | 1.3 (4.3) | 5 (177) | 6.3 (90) | 12 (40) | 1.5 (53.0) | 6.3 (90) | 3 (9.9) | 79 | |
| LC2A125SI | 12.5 | 3.2 (10.5) | 6 (19.7) | 5 (16.4) | 10 (353) | 6.3 (90) | 15 (49) | 1.5 (53.0) | 6.3 (90) | 3 (9.9) | 93 | |
| LC2A180TI | 18 | 0.7 (2.3) | 1.2 (3.9) | 0.9 (3) | 5 (177) | 6.3 (90) | 15 (49) | 1.9 (67.1) | 6.3 (90) | 5 (16.4) | 79 | |
| LC2A250QI | 25 | 0.5 (1.6) | 0.9 (3) | 0.6 (2) | 5 (177) | 6.3 (90) | 15 (49) | 1.9 (67.1) | 6.3 (90) | 5 (16.4) | 79 | |
| LC2A250DI | 25 | 1.6 (5.2) | 3 (9.8) | 2.5 (8.2) | 10 (353) | 6.3 (90) | 12 (40) | 3 (106) | 6.3 (90) | 50 (164) | 93 | |
| LC2A375TI | 37.5 | 1.1 (3.6) | 2 (6.6) | 2 (6.6) | 10 (353) | 6.3 (90) | 15 (49) | 3.8 (134) | 6.3 (90) | 90 (295) | 93 | |
| LC2A500QI | 50 | 0.8 (2.6) | 1.5 (4.9) | 1.5 (4.9) | 10 (353) | 6.3 (90) | 15 (49) | 3.8 (134) | 6.3 (90) | 90 (295) | 93 | |
| LCA750TI | 75 | 0.4 (1.3) | 0.7 (2.3) | 0.7 (2.3) | 10 (353) | 6.3 (90) | 15 (49) | 7.6 (268) | 6.3 (90) | 130 (427) | 93 | |
| LCA1000QI | 100 | 0.3 (1) | 0.5 (1.6) | 0.5 (1.6) | 10 (353) | 6.3 (90) | 15 (49) | 7.6 (268) | 6.3 (90) | 130 (427) | 93 | |

Performance test conducted per European standard EN range 14492-2.
⁽¹⁾ Rack and pinion trolley configuration traverse speed is 50% of speed stated in table above.

1.5 to 25 t capacity (except model 25t double falls)

25 to 100 t capacity (except model 25t with 4 falls)



Dimensions shown are mm. Dimensions in Brackets [] are inches. Dimensions are subject to change. Contact factory for certified drawings.

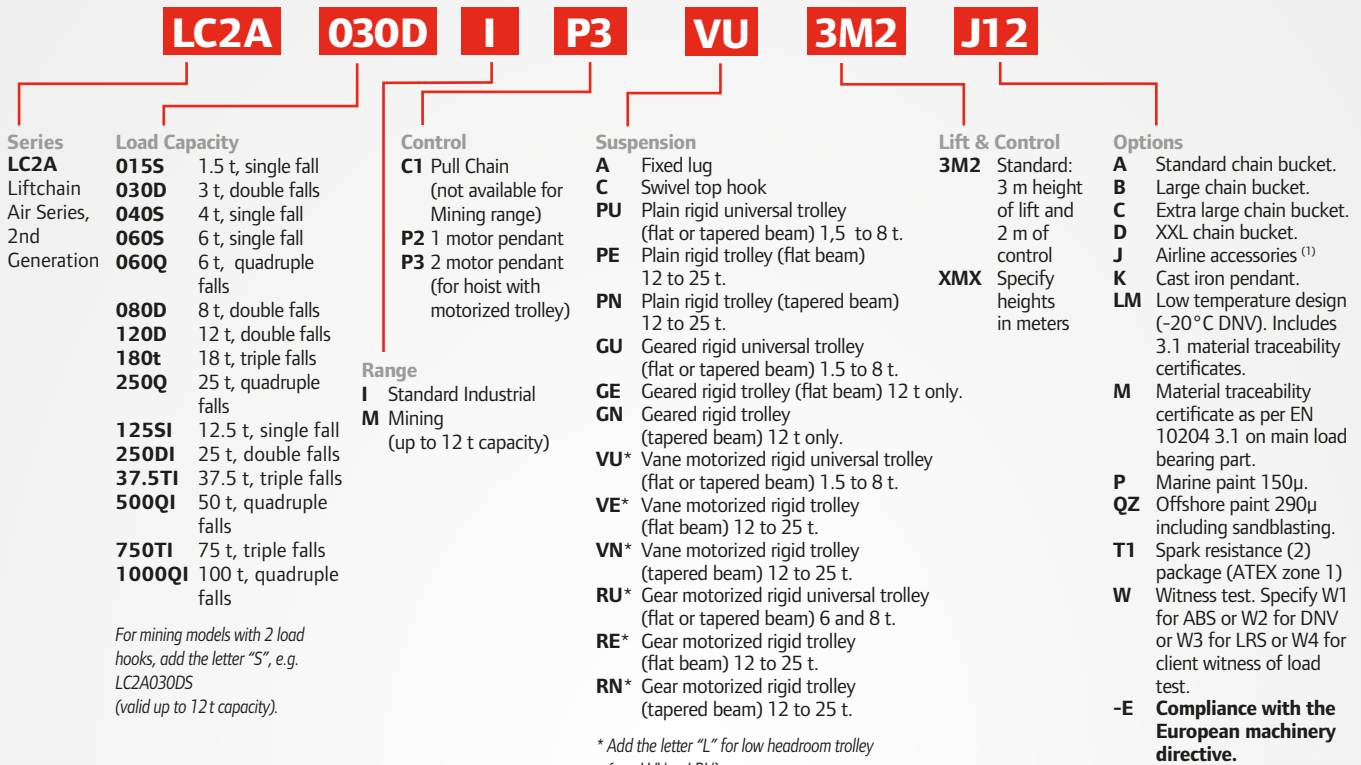
| Model | A | B | C | D | E | F | G | H | J | K | L | M | N | Air Inlet Ø |
|-----------|------|-----|-----|-----|-----|----|-----|-----|-----|-----|-----|----|----|----------------|
| LC2A015SI | 480 | 190 | 210 | 60 | 120 | — | 436 | 155 | 244 | 90 | 146 | 27 | 30 | 3/4" BSP |
| LC2A030DI | 592 | 190 | 210 | 60 | 120 | — | 436 | 155 | 244 | 90 | 257 | 35 | 37 | 3/4" BSP |
| LC2A040SI | 590 | 284 | 300 | 60 | 120 | — | 436 | 147 | 273 | 127 | 190 | 35 | 37 | 1" BSP |
| LC2A060QI | 702 | 290 | 250 | 82 | 160 | — | 640 | 220 | 315 | 90 | 296 | 43 | 50 | 3/4" BSP |
| LC2A060SI | 730 | 290 | 310 | 82 | 160 | — | 640 | 220 | 350 | 152 | 228 | 43 | 50 | 1" BSP |
| LC2A080DI | 815 | 380 | 300 | 82 | 160 | — | 640 | 220 | 313 | 127 | 373 | 53 | 60 | 1" BSP |
| LC2A120DI | 995 | 410 | 310 | 91 | 160 | — | 622 | 220 | 420 | 152 | 424 | 58 | 67 | 1" BSP |
| LC2A125SI | 1000 | 313 | 265 | 87 | 160 | 57 | 622 | 220 | 498 | 201 | 296 | 58 | 67 | 1 1/4" BSP (1) |
| LC2A180TI | 1195 | 360 | 390 | 125 | 225 | — | 790 | 270 | 558 | 152 | 484 | 78 | 80 | 1" BSP |
| LC2A250QI | 1240 | 360 | 370 | 125 | 225 | — | 790 | 270 | 558 | 152 | 530 | 87 | 96 | 1" BSP |

| Model | A | B | C | D | E | F | G | H | J | K | L | M | N | O | P | Q | R | Air Inlet Ø (1) |
|-----------|------|-----|-----|-----|-----|----|-----|-----|------|-----|-----|-----|-----|------|-----|-----|-----|-----------------|
| LC2A250DI | 990 | 460 | 265 | 313 | 87 | 91 | 160 | 84 | 1362 | 500 | 240 | 220 | 411 | 572 | 276 | 87 | 120 | 1 1/4" BSP |
| LC2A375TI | 1134 | 514 | 373 | 358 | 121 | 91 | 225 | 125 | 1672 | 578 | 312 | 270 | 416 | 714 | 298 | 103 | 140 | 1 1/4" BSP |
| LC2A500QI | 1182 | 541 | 346 | 358 | 121 | 91 | 225 | 140 | 1672 | 578 | 312 | 270 | 416 | 763 | 352 | 118 | 160 | 1 1/4" BSP |
| LCA750TI | 1880 | 700 | 553 | 550 | 121 | NA | 225 | 150 | 3370 | NA | 312 | 270 | 790 | 1055 | 420 | 153 | 190 | 1 1/4" BSP |
| LCA1000QI | 1936 | 700 | 553 | 550 | 121 | NA | 225 | 150 | 3370 | NA | 312 | 270 | 790 | 1111 | 490 | 184 | 250 | 1 1/4" BSP |

Chain Bucket Capacity And Height – A, B, C or D Options

| Model | Chain Bucket, Type A | | | Chain Bucket, Type B | | | Chain Bucket, Type C | | | Chain Bucket, Type D | | |
|-----------|----------------------|---------------------------------------|------------|----------------------|---------------------------------------|------------|----------------------|---------------------------------------|------------|----------------------|---------------------------------------|------------|
| | Bucket Material | Corresponding Height of Lift Capacity | Height "X" | Bucket Material | Corresponding Height of Lift Capacity | Height "X" | Bucket Material | Corresponding Height of Lift Capacity | Height "X" | Bucket Material | Corresponding Height of Lift Capacity | Height "X" |
| | | (m) | (mm) | | (m) | (mm) | | (m) | (mm) | | (m) | (mm) |
| LC2A015SI | Canvas | 12 | 700 | Canvas | 30 | 800 | Canvas | 60 | 900 | Metal | 80 | TBA |
| LC2A030DI | Canvas | 6 | 712 | Canvas | 15 | 812 | Canvas | 30 | 912 | Metal | 40 | TBA |
| LC2A040SI | Canvas | 12 | 856 | Canvas | 25 | 956 | Metal | 40 | 1116 | Metal | 60 | 1156 |
| LC2A060QI | Canvas | 3 | 769 | Canvas | 7.5 | 869 | Canvas | 15 | 969 | Metal | 20 | TBA |
| LC2A060SI | Canvas | 12 | 1065 | Metal | 26 | 1265 | Metal | 40 | 1265 | Metal | 60 | 1445 |
| LC2A080DI | Canvas | 6 | 896 | Canvas | 12.5 | 996 | Metal | 20 | 1156 | Metal | 30 | 1196 |
| LC2A120DI | Canvas | 6 | 1135 | Metal | 13 | 1335 | Metal | 20 | 1335 | Metal | 30 | 1515 |
| LC2A125SI | Metal | 30 | 1564 | Metal | 60 | 1779 | — | — | — | — | — | — |
| LC2A180TI | Canvas | 4 | 1273 | Metal | 8.5 | 1473 | Metal | 13 | 1473 | Metal | 20 | 1653 |
| LC2A250QI | Canvas | 3 | 1273 | Metal | 6.5 | 1473 | Metal | 10 | 1473 | Metal | 15 | 1653 |
| LC2A250DI | Metal | 15 | 1276 | Metal | 30 | 1491 | — | — | — | — | — | — |
| LC2A375TI | Metal | 10 | 1281 | Metal | 20 | 1496 | — | — | — | — | — | — |
| LC2A500QI | Metal | 7.5 | 1281 | Metal | 15 | 1496 | — | — | — | — | — | — |
| LCA750TI | Metal | 10 | 1980 | Metal | 20 | 2555 | — | — | — | — | — | — |
| LCA1000QI | Metal | 7.5 | 1980 | Metal | 15 | 2555 | — | — | — | — | — | — |

How to Order



⁽¹⁾ For protection during shipment and due to the wide range of installation variables, the airline accessories are shipped loose for client installation. Specify J1: Filter, J2: Lubricator, J3: Regulator or numerical combination.

⁽²⁾ Option T1 includes the following:
 For the hoist: Cast iron pendant and bronze coated bottom hook assembly
 For the trolley: Solid bronze wheels (all trolleys).
 In addition for motorized trolleys, pinion drive in solid bronze or stainless steel and cast iron pendant.
 In addition for geared trolleys, bronze coated hand wheel with brass hand chain guide.



For More Information www.ingersollrandproducts.com/lifting lifting@irco.com

Ingersoll Rand, IR, the IR logo and Impactool are trademarks of Ingersoll Rand, its subsidiaries and/or affiliates. All other trademarks are the property of their respective owners. Nothing contained on these pages is intended to extend any warranty or representation, expressed or implied, regarding the product described herein. Any such warranties or other terms and conditions of sale of products shall be in accordance with Ingersoll Rand's standard terms and conditions of sale for such products, which are available upon request. Product improvement is a continuing goal at Ingersoll Rand. Designs and specifications are subject to change without notice or obligation. Unless otherwise noted this equipment is not designed for transporting people or lifting loads over people. It is the user's responsibility to determine the suitability of this product for any particular use and to check compliance with applicable regulations. Before installation, see maintenance and operations manual for additional warnings and precautions.