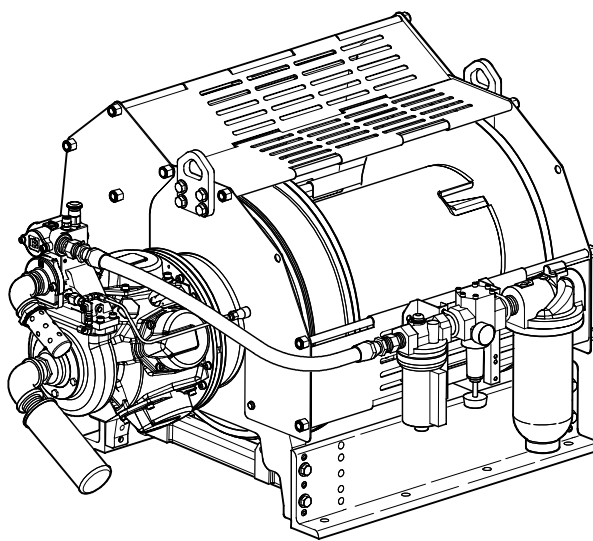


Product Parts Information



FORCE 5i Air Winch

Winch Series FA2.5i, FA5i, and FA5Ti



(Dwg. MHP2669)



Save These Instructions



Form MHD56287
Edition F
May 2016
71444269
© 2016 Ingersoll Rand

Only allow **Ingersoll Rand** trained technicians to perform maintenance on this product. For additional information contact **Ingersoll Rand** factory or nearest Distributor.

For additional supporting documentation refer to Table 1 'Product Manuals' on page 2.

Manuals can be downloaded from ingersollrandproducts.com

The use of other than genuine **Ingersoll Rand** replacement parts may result in safety hazards, decreased performance and increased maintenance and will invalidate all warranties.

Original instructions are in English. Other languages are a translation of the original instructions.

Refer all communications to the nearest **Ingersoll Rand** Office or Distributor.

Table 1: Product Manuals

Publication	Part/Document Number	Publication	Part/Document Number
Product Safety Manual (Non-Man Rider)	MHD56250	Product Information Manual (Man Rider)	MHD56435
Product Safety Manual (Man Rider)	MHD56251	Product Maintenance Information Manual	MHD56288
Product Information Manual (Non-Man Rider)	MHD56434		

TABLE OF CONTENTS

Description	Page No.	Dwg. Name	Page No.
Parts Ordering Information	3		
FA2.5i Drum, Base and Reduction Gear Assembly Drawing	4	(Dwg. MHP2689)	4
FA2.5i Drum, Base and Reduction Gear Assembly Parts List	5		
FA2.5i Drum, Base and Reduction Gear Assembly Parts List continued	6		
FA5i/Ti Drum, Base and Reduction Gear Assembly Drawing	7	(Dwg. MHP2670)	7
FA5i/Ti Drum, Base and Reduction Gear Assembly Parts List	8		
FA2.5i Drum and Siderail Parts List	10		
FA5i Drum and Siderail Parts List	10		
FA5Ti Drum and Siderail Parts List	11		
Motor Assembly Drawing	12	(Dwg. MHP2693)	12
Motor Assembly Parts List	13		
Motor Assembly Parts List continued	14		
Disc Brake Assembly Drawing	15	(Dwg. MHP2924)	15
Disc Brake Assembly Parts List	16		
Drum Band Brake Assembly Drawing	17	(Dwg. MHP2694)	17
Drum Band Brake Assembly Parts List	18		
Control Valve Assembly Drawing	20	(Dwgs. MHP2696 and MHP3182)	20
Control Valve Assembly Parts List	21		
Emergency Stop and Overload Control Valve Assembly Drawing (-E Model)	22	(Dwg. MHP2697)	22
Emergency Stop and Overload Control Valve Assembly Parts List (-E Model)	23		
Emergency Stop and Overload Control Valve Assembly Parts List (-E Model) continued	24		
Limit Switch (Optional) Assembly Drawing	25	(Dwg. MHP2677)	25
Limit Switch (Optional) Assembly Parts List	26		
CE Man Rider Control Valve Assembly Drawing	27	(Dwg. MHP3069)	27
CE Man Rider Control Valve Assembly Parts List	28		
Pendant Operated Pilot Control Valve (Optional) Assembly Drawing	30	(Dwg. MHP3091)	30
Pendant Operated Pilot Control Valve (Optional) Assembly Parts List	31		
Two Lever Remote Pendant (Optional) Assembly Drawings	32	(Dwgs. MHP2346 and MHP1677)	32
Two Lever Remote Pendant (Optional) Assembly Parts List	33		
Full Flow Remote Control Valve Assembly Drawing and Parts List	34	(Dwg. MHP2698)	34
K5C2-EXLP/MRCE Connection Assembly Drawing and Parts List	35	(Dwg. MHP3402)	35
K5C2-MRCE Connection Assembly Drawing and Parts List (Old Style)	36	(Dwg. MHP3070)	36
Pendant Operated Overload (Optional) Assembly Drawing and Parts List	37	(Dwgs. MHP3640 and MHP2958)	37
Shut-off Valve Assembly Drawing and Parts List	37		
Drum Locking Pin (Optional) Assembly Drawing and Parts List	38	(Dwg. MHP2675)	38
Press Roller Assembly (Optional) Drawing and Parts List	39	(Dwg. MHP2695)	39
Press Roller Assembly (Optional) Parts List (Continued)	40		
FA5i Drum Guard Assembly Drawing	41	(Dwg. MHP3391)	41
FA5i Drum Guard Assembly Parts List	42		
Drum Guard Assembly Drawing	43	(Dwg. MHP2676)	43
Drum Guard Assembly Parts List	44		
Drum Guard Assembly Parts List (Continued)	45		
Drum Guard Assembly Parts List (Continued)	46		
Air Preparation Assembly Drawing and Parts List	47	(Dwg. MHP2679)	47
Labels and Tags Assembly Drawing and Parts List	48	(Dwg. MHP2718)	48
Kits	49		

PARTS ORDERING INFORMATION

These products are designed and constructed to provide long, trouble-free service. In time it may be necessary to order and install new parts to replace those that have been subjected to wear.

For your convenience and future reference, it is recommended that the following information be recorded.

Model Number _____

Serial Number _____

Date Purchase _____

When ordering replacement parts, please specify the following:

1. Complete model number and serial number as it appears on the data (name) plate.
2. Part number(s) and part description as shown in this manual.
3. Quantity required.

The data (name) plate is located on the product.

NOTICE

- **Continuing improvement and advancement of design may cause changes to this equipment which are not included in this manual. Manuals are periodically revised to incorporate changes. Always check the manual edition number on the front cover for the latest issue.**
- **Sections of this manual may not apply to your product.**
- **The use of other than genuine Ingersoll Rand replacement parts may result in safety hazards, decreased performance and increased maintenance, and will invalidate all warranties.**

■ Return Goods Policy

Ingersoll Rand will not accept any returned goods for warranty or service unless prior arrangements have been made and written authorization has been provided from the location the goods were purchased.

Products that have been modified without **Ingersoll Rand** approval, mishandled or overloaded will not be repaired or replaced under warranty. A printed copy of the warranty that applies to this product is provided inside the back cover of the product information manual or in some cases the parts manual.

■ Disposal



When the life of the product has expired, it is recommended that it be disassembled, degreased and parts separated as to materials so that they may be recycled.

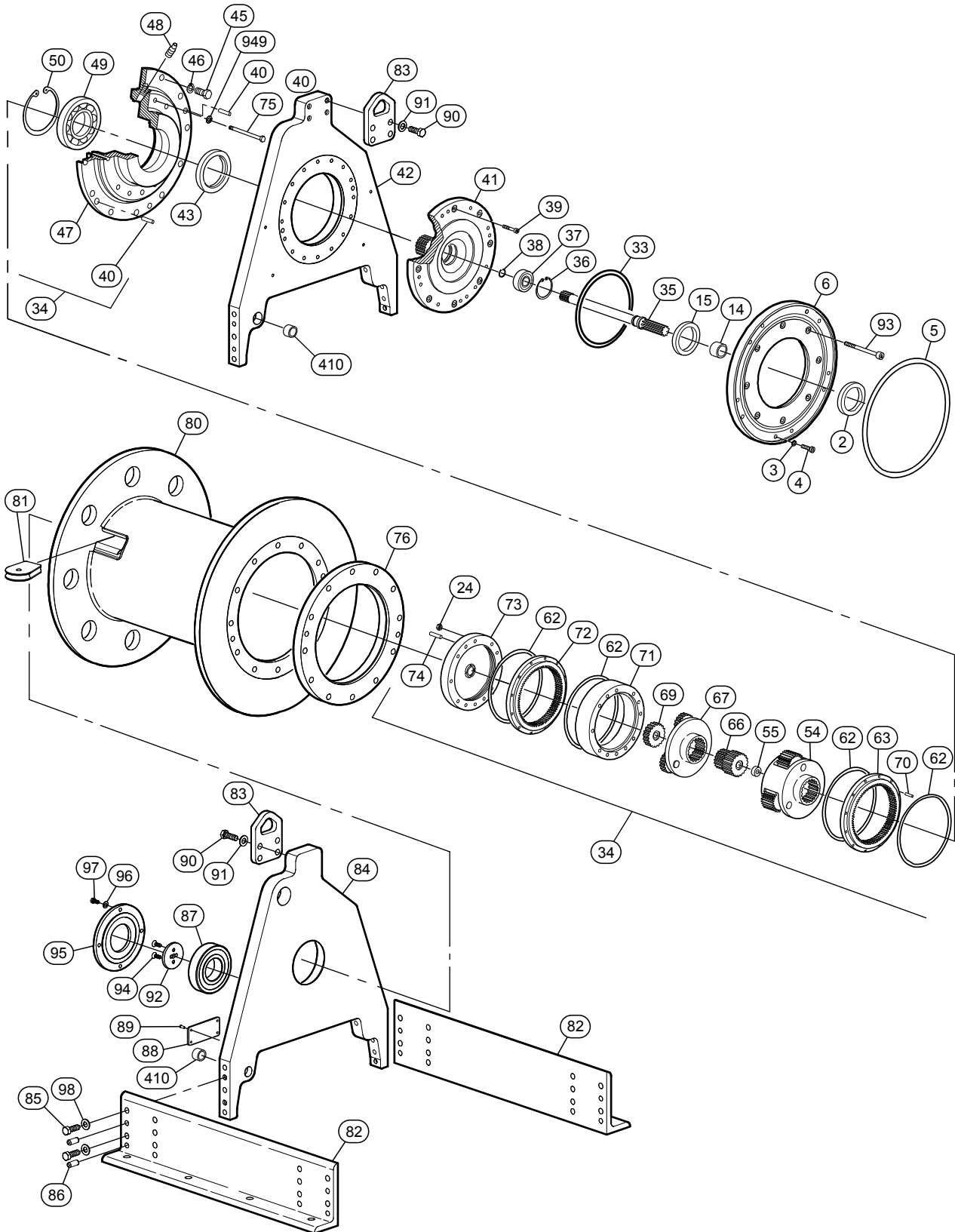
For additional information contact:

Ingersoll Rand
20017 72nd Avenue South
Kent, WA 98032 USA
Phone: (800) 483-4981

or

Ingersoll Rand
Douai Operations
529, Avenue Roger Salengro
59450 Sin Le Noble, France
Phone: (33) 03-27-93-08-08
Fax: (33) 03-27-93-08-00

FA2.5I DRUM, BASE AND REDUCTION GEAR ASSEMBLY DRAWING



(Dwg. MHP2689)

FA2.5I DRUM, BASE AND REDUCTION GEAR ASSEMBLY PARTS LIST

Item No.	Description of Part	Total Qty	Part Number (CCN)	Item No.	Description of Part	Total Qty	Part Number (CCN)
2	Oil Seal	1	51873 (03980927)	66	Sun Gear	1	71068530
3	Lockwasher	10	51607 (71225973)	67	Planetary Assembly	1	Contact Factory
4	Capscrew	10	71268205	69	Sun Gear †	1	28938 (71399067)
5	'O' Ring	1	51459 (03980588)	70	Spring Pin	4	71068472
6	Motor Adapter	1	14227 (71062566)	71	Spacer	1	71068522
14	Sleeve (for use without Disc Brake)	1	10598 (03982345)	72	Ring Gear	1	45874351
15	Seal Adapter	1	16354 (71063192)	73	Cover	1	Contact Factory
22	Dowel Pin **	2	71460554	74	Spring Pin	4	Contact Factory
23	Capscrew **	12	71413132	75	Capscrew	8	43805266
24	Nut	8	43805258	76	Spacer **	1	382-20327 (71197578)
33	'O' Ring	1	51460 (03980596)	80	Drum †	1	Note 1
34	Reduction Gear Assembly *	1	71394746	81	Wire Rope Wedge, 1/2 and 5/8 in. (13 and 16 mm)	1	382-31631 (71461537)
35	Drive Shaft †	1	28737 (71394522)		Wire Rope Anchor 1/2 in. (13 mm) (Note 3)		52001 (03899143)
36	Retainer Ring	1	52298 (71227334)		Wire Rope Anchor 5/8 in. (16 mm) (Note 3)		52306 (71043178)
37	Bearing	1	50460 (71069702)	82	Siderail †	2	Note 1
38	Retainer Ring	1	51872 (03980919)	83	Lifting Lug †	2	382-30773 (71438915)
39	Capscrew	8	52380 (71077267)	84	Upright, Outboard (for use with Drum Lock) †	1	382-30516-4-S
40	Dowel Pin	4	50984 (71077325)		Upright, Outboard (Note 4) †		382-30516-5-S
	Dowel Pin **	2		85	Capscrew	8	50872 (71072227)
41	Drum Shaft †	1	14037 (71083679)	86	Dowel Pin	8	71266670
42	Upright, Inboard †	1	382-30514-1-S	87	Bearing	1	71435937
43	Seal	1	51475 (03898889)	88	Data (name) Plate (Note 2)	1	71070643-RS (71442040)
45	Capscrew	12	50973 (03898566)	89	Rivet	4	71028849
	Capscrew **	4		90	Capscrew	8	71316491
46	Lockwasher	12	50181 (03898269)	91	Washer	8	52915 (71004436)
47	Gear Carrier † (Serial No. A007114 and up)	1	382-32567 (43804657)	92	Bearing Retainer	1	382-30646 (71435879)
	Gear Carrier † (old style)		Contact Factory	93	Capscrew (for use without Disc Brake)	8	52379 (71077366)
48	Pipe Plug	2	51467 (71074702)	94	Capscrew	2	50964 (71224893)
49	Bearing	1	51473 (03898863)	95	End Cover (for use without Limit Switch)	1	382-30832 (71439970)
50	Retainer Ring	1	51479 (71077333)	96	Washer	4	71376370
54	Planetary Assembly	1	Order Item 34	97	Capscrew	4	52160
55	Thrust Bearing	2		98	Washer	8	50203 (03969441)
62	'O' Ring	4	52149 (03967056)	410	Bushing	2	71443816
63	Ring Gear	1	Contact Factory	949	Washer	8	71413355

FA2.5I DRUM, BASE AND REDUCTION GEAR ASSEMBLY PARTS LIST CONTINUED

Note 1: Refer to 'DRUM and SIDERAIL PARTS LIST' on page 8.

Note 2: Model and serial number required.

Note 3: Used on divided drums only. Not illustrated.

Note 4: Item 84 is predrilled for use with an IR Adjustable Level Wind and Drum Lock.

* Reduction Gear Assembly includes items 54, 55, 62, 63, 66, 67, 69, 70 - 75.

** These parts are used on an 8 inch long drum without a band brake and may not be illustrated.

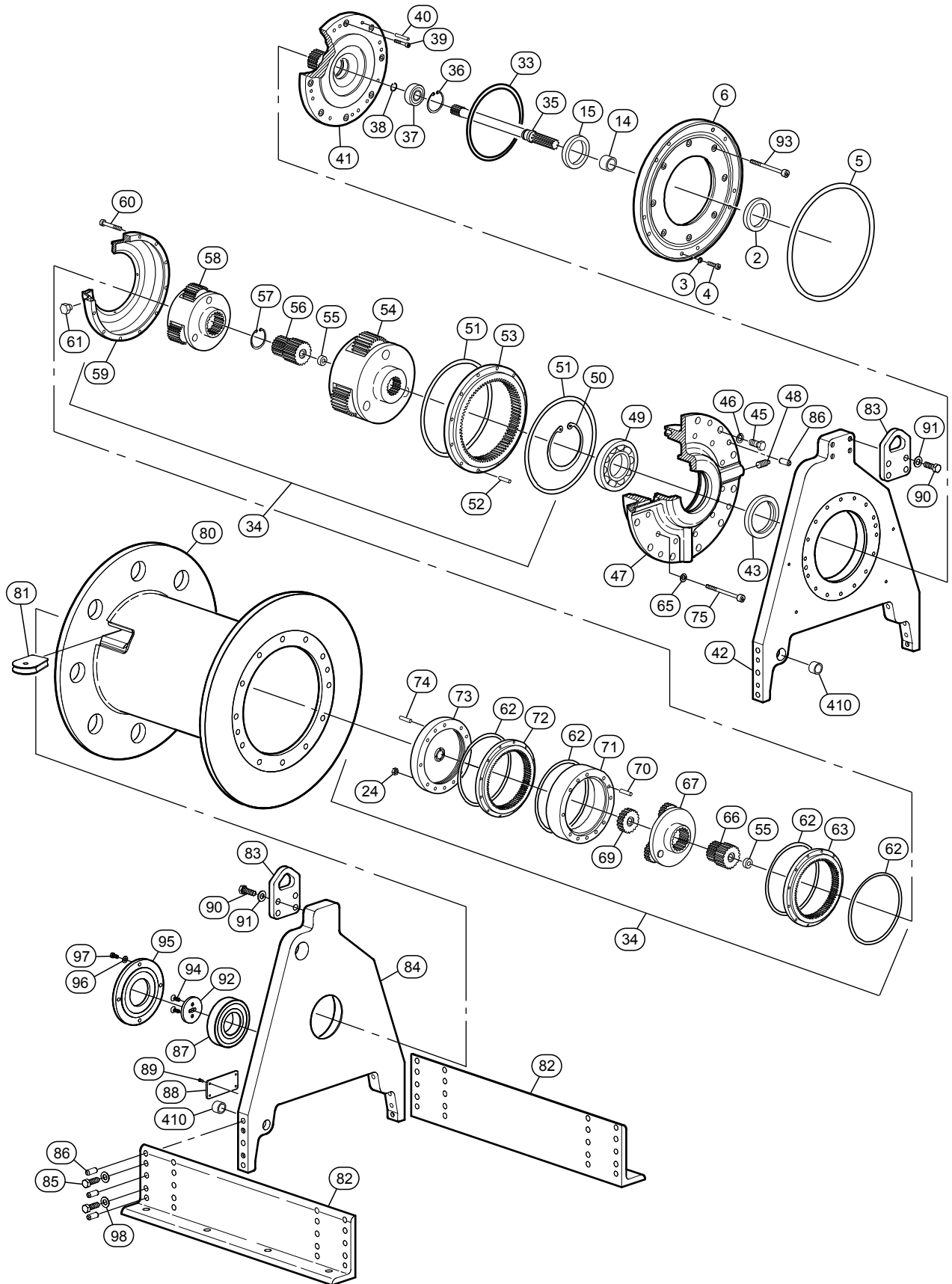
† These parts also come in a cold weather version. Refer to model code, adding CH (DNV) or CHA (ABS) to the end of these part numbers is required to retain winch cold weather certification. Example: Order Drum item (80) (12 inches long) part number 382-30698-2 as part number 382-30698-2CH.

Certification Type	Example Part Number To Order	
ABS	---	382-30698-2CHA
DNV	382-30698-2CH	---

FA2.5i Drum, Base and Reduction Gear Assembly Service Kit List:

Item No.	Description of Part	Total Qty	Part Number (CCN)
*1000	Service Kit: Outboard Bearing and Seal (including in Overhaul Kits)	1	47539960001

FA51/TI DRUM, BASE AND REDUCTION GEAR ASSEMBLY DRAWING



(Dwg. MHP2670)

FA5I/TI DRUM, BASE AND REDUCTION GEAR ASSEMBLY PARTS LIST

Item No.	Description of Part	Total Qty	Part Number (CCN)	Item No.	Description of Part	Total Qty	Part Number (CCN)
2	Oil Seal	1	51873 (03980927)	63	Ring Gear	1	contact factory
3	Lockwasher	10	51607 (71225973)	65	Washer	12	71390421
4	Capscrew	10	71268205	66	Sun Gear	1	Contact Factory
5	'O' Ring	1	51459 (03980588)	67	Planetary Assembly	1	
6	Motor Adapter	1	14227 (71062566)	69	Sun Gear †	1	28826 (71396337)
14	Sleeve (for use without Disc Brake)	1	10598 (03982345)	70	Spring Pin	1	71068464
15	Seal Adapter	1	16354 (71063192)	71	Spacer	1	71068522
24	Nut	12	71390439	72	Ring Gear	1	45874351
33	'O' Ring	1	51460 (03980596)	73	Cover	1	Contact Factory
34	Reduction Gear Assembly *	1	71394753	74	Dowel Pin	4	
35	Drive Shaft †	1	28738 (71394530)	75	Capscrew	8	71106736
36	Retainer Ring	1	52298 (71227334)	80	Drum †	1	Note 1
37	Bearing	1	50460 (71069702)	81	Wire Rope Wedge, 5/8 and 3/4 in. (16 and 19 mm)	1	382-30555 (71434120)
38	Retainer Ring	1	51872 (03980919)		Wire Rope Wedge, 7/8 in. (22 mm)		382-30987 (71444426)
39	Capscrew	8	52380 (71077267)		Wire Rope Anchor 5/8 in. (16 mm) (Note 3)		52306 (71043178)
40	Dowel Pin	2	52334 (71077275)		Wire Rope Anchor 3/4 in. (19 mm) (Note 3)		52000 (71005060)
41	Drum Shaft †	1	14020 (03978327)		Wire Rope Anchor 7/8 in. (22 mm) (Note 3)		52308 (71042600)
42	Upright, Inboard - FA5i †	1	382-30770-2-S	82	Siderail †	2	Note 1
	Upright, Inboard - FA5Ti †		382-31202-1-S	83	Lifting Lug FA5i †	2	382-30773 (71438915)
43	Seal	1	51464 (03980612)		Lifting Lug FA5Ti †		382-31197 (71449474)
45	Capscrew	12	52829 (03968633)	84	Upright, Outboard (for use without Drum Lock) FA5i †	1	382-30771-4-S
46	Lockwasher	12	51012 (03978913)		Upright, Outboard (Note 4) FA5i †		382-30771-5-S
47	Gear Carrier † (Serial No. A006972 and up)	1	382-32566 (43804640)		Upright, Outboard (for use without Drum Lock) FA5Ti †	1	382-31201-3 (71450175)
	Gear Carrier † FA5Ti (Serial No. A006835 and up)			Upright, Outboard (for use with Drum Lock) FA5Ti †	382-31201-1 (71450159)		
	Gear Carrier † (old style)		Contact Factory	85	Capscrew	8	50872 (71072227)
48	Pipe Plug	2	51467 (71074702)	86	Dowel Pin	14	71266670
49	Bearing	1	51455 (03962420)	87	Bearing	1	71440002
50	Retainer Ring	1	71018196	88	Data (Name) Plate (Note 2)	1	71070643-RS (71442040)
51	'O' Ring	2	71106728	89	Screw, Drive	4	71028849
52	Spring Pin	1	Contact Factory	90	Capscrew	8	71316491
53	Ring Gear	1		91	Washer	8	52915 (71004436)
54	Planetary Assembly	1		92	Bearing Retainer	1	382-30646 (71435879)
55	Thrust Bearing	2		93	Capscrew (for use without Disc Brake)	8	50910 (71077259)
56	Sun Gear	1		94	Capscrew	2	50964 (71224893)
57	Retainer Ring	1	71068597	95	End Cover (for use without Limit Switch)	1	382-30830 (71439954)
58	Planetary Assembly	1	71068555	96	Washer	4	71376370
59	Input Housing	1	Contact Factory	97	Capscrew	4	52160 (52160)
60	Capscrew	12	43808864	98	Washer	8	50203 (03969441)
61	Plug	4	71068571	410	Bushing	2	71443816

Item No.	Description of Part	Total Qty	Part Number (CCN)	Item No.	Description of Part	Total Qty	Part Number (CCN)
62	'O' Ring	4	52149 (03967056)				

Note 1: Refer to 'DRUM and SIDERAIL PARTS LIST' on page 8.

Note 2: Model and serial number required.

Note 3: Used on divided drums only. Not illustrated.

Note 4: Item 84 is predrilled for use with an IR Adjustable Level Wind and Drum Lock.

* Reduction Gear Assembly includes items 51 - 53, 66, 67, 69, 70 - 75.

† These parts also come in a cold weather version. Refer to model code, adding CH (DNV) or CHA (ABS) to the end of these part numbers is required to retain winch cold weather certification. Example: Order Drum item (80) (12 inches long) part number 382-30858-2 as part number 382-30858-2CH.

Certification Type	Example Part Number To Order	
ABS	---	382-30858-2CHA
DNV	382-30858-2CH	---

FA5i/Ti Drum, Base and Reduction Gear Assembly Service Kit List:

Item No.	Description of Part	Total Qty	Part Number (CCN)
*1001	Service Kit: Frame (including in Overhaul Kits) (include items: 3-5, 33, 36-38, 43, 85-87, 93, 94, 96-98)	1	

* Not sold separately

FA2.5I DRUM AND SIDERAIL PARTS LIST

Drum (Item 80) with Band Brake	Part Number (CCN)	Drum (Item 80) w/out Band Brake **	Part Number (CCN)	Drum (Item 80) with Band Brake and Drum Lock	Part Number (CCN)	Drum (Item 80) w/out Band Brake with Drum Lock **	Part Number (CCN)
Drum (8 in. long) †	N/A	Drum (8 in. long) †	382-30720-1-S	Drum (8 in. long) †	382-30698-1L-S	Drum (8 in. long) †	382-30720-1L-S
Drum (12 in. long) †	382-30698-2-S	Drum (12 in. long) †	382-30720-2-S (45961240)	Drum (12 in. long) †	382-30698-2L-S	Drum (12 in. long) †	382-30720-2L-S
Drum (16 in. long) †	382-30698-3-S	Drum (16 in. long) †	382-30720-3-S	Drum (16 in. long) †	382-30698-3L-S	Drum (16 in. long) †	382-30720-3L-S
Drum (20 in. long) †	382-30698-4-S	Drum (20 in. long) †	382-30720-4-S	Drum (20 in. long) †	382-30698-4L-S	Drum (20 in. long) †	382-30720-4L-S
Drum (24 in. long) †	382-30698-5-S	Drum (24 in. long) †	382-30720-5-S	Drum (24 in. long) †	382-30698-5L-S	Drum (24 in. long) †	382-30720-5L-S
Drum (30 in. long) †	382-30698-6-S	Drum (30 in. long) †	382-30720-6-S	Drum (30 in. long) †	382-30698-6L-S	Drum (30 in. long) †	382-30720-6L-S
Drum (36 in. long) †	382-30698-7-S	Drum (36 in. long) †	382-30720-7-S	Drum (36 in. long) †	382-30698-7L-S	Drum (36 in. long) †	382-30720-7L-S
Siderail (Item 82) with Band Brake	Part Number (CCN)	Siderail (Item 82) w/out Band Brake **	Part Number (CCN)				
with 8 in. Drum †	N/A	with 8 in. Drum †	382-30628-1-S				
with 12 in. Drum †	382-30624-2-S	with 12 in. Drum †	382-30628-2-S				
with 16 in. Drum †	382-30624-3-S	with 16 in. Drum †	382-30628-3-S				
with 20 in. Drum †	382-30624-4-S	with 20 in. Drum †	382-30628-4-S				
with 24 in. Drum †	382-30624-5-S	with 24 in. Drum †	382-30628-5-S (45918729)				
with 30 in. Drum †	382-30624-6-S	with 30 in. Drum †	382-30628-6-S				
with 36 in. Drum †	382-30624-7-S	with 36 in. Drum †	382-30628-7-S				

Note 1: Contact Factory for divided drum part numbers; not available for Man Rider application.

Note 2: 8" drum not available for Man Rider application.

** Man Rider winches have a two brake system and are only available with a band brake drum and no drum lock.

† These parts also come in a cold weather version. Refer to model code, adding CH (DNV) or CHA (ABS) to the end of these part numbers is required to retain winch cold weather certification. Example: Order Drum item (80) (12 inches long) part number 382-30698-2 as part number 382-30698-2CH.

FA5I DRUM AND SIDERAIL PARTS LIST

Drum (Item 80) with Band Brake	Part Number (CCN)	Drum (Item 80) w/out Band Brake **	Part Number (CCN)	Drum (Item 80) with Band Brake with Drum Lock	Part Number (CCN)	Drum (Item 80) w/out Band Brake with Drum Lock **	Part Number (CCN)
Drum (12 in. long) †	382-30858-2-S	Drum (12 in. long) †	382-31472-S	Drum (12 in. long) †	382-30858-2L-S	Drum (12 in. long) †	382-30887-2L-S
Drum (16 in. long) †	382-30858-3-S	Drum (16 in. long) †	382-30887-3-S	Drum (16 in. long) †	382-30858-3L-S	Drum (16 in. long) †	382-30887-3L-S
Drum (20 in. long) †	382-30858-4-S	Drum (20 in. long) †	382-30887-4-S	Drum (20 in. long) †	382-30858-4L-S	Drum (20 in. long) †	382-30887-4L-S
Drum (24 in. long) †	382-30858-5-S (45930740)	Drum (24 in. long) †	382-30887-5-S	Drum (24 in. long) †	382-30858-5L-S	Drum (24 in. long) †	382-30887-5L-S
Drum (30 in. long) †	382-30858-6-S	Drum (30 in. long) †	382-30887-6-S	Drum (30 in. long) †	382-30858-6L-S	Drum (30 in. long) †	382-30887-6L-S
Drum (36 in. long) †	382-30858-7-S	Drum (36 in. long) †	382-30887-7-S	Drum (36 in. long) †	382-30858-7L-S	Drum (36 in. long) †	382-30887-7L-S
Siderail (Item 82) with Band Brake	Part Number (CCN)	Siderail (Item 82) w/out Band Brake **	Part Number (CCN)				
with 12 in. Drum †	382-30823-2-S	with 12 in. Drum †	382-30824-2-S				
with 16 in. Drum †	382-30823-3-S	with 16 in. Drum †	382-30824-3-S				
with 20 in. Drum †	382-30823-4-S	with 20 in. Drum †	382-30824-4-S				
with 24 in. Drum †	382-30823-5-S (45967882)	with 24 in. Drum †	382-30824-5-S (45990702)				
with 30 in. Drum †	382-30823-6-S	with 30 in. Drum †	382-30824-6-S				
with 36 in. Drum †	382-30823-7-S	with 36 in. Drum †	382-30824-7-S				

Note 1: Contact Factory for divided drum part numbers; not available for Man Rider application.

** Man Rider winches have a two brake system and are only available with a band brake drum and no drum lock.

† These parts also come in a cold weather version. Refer to model code, adding CH (DNV) or CHA (ABS) to the end of these part numbers is required to retain winch cold weather certification. Example: Order Drum item (80) (12 inches long) part number 382-30858-2 as part number 382-30858-2CH.

FASTI DRUM AND SIDERAIL PARTS LIST

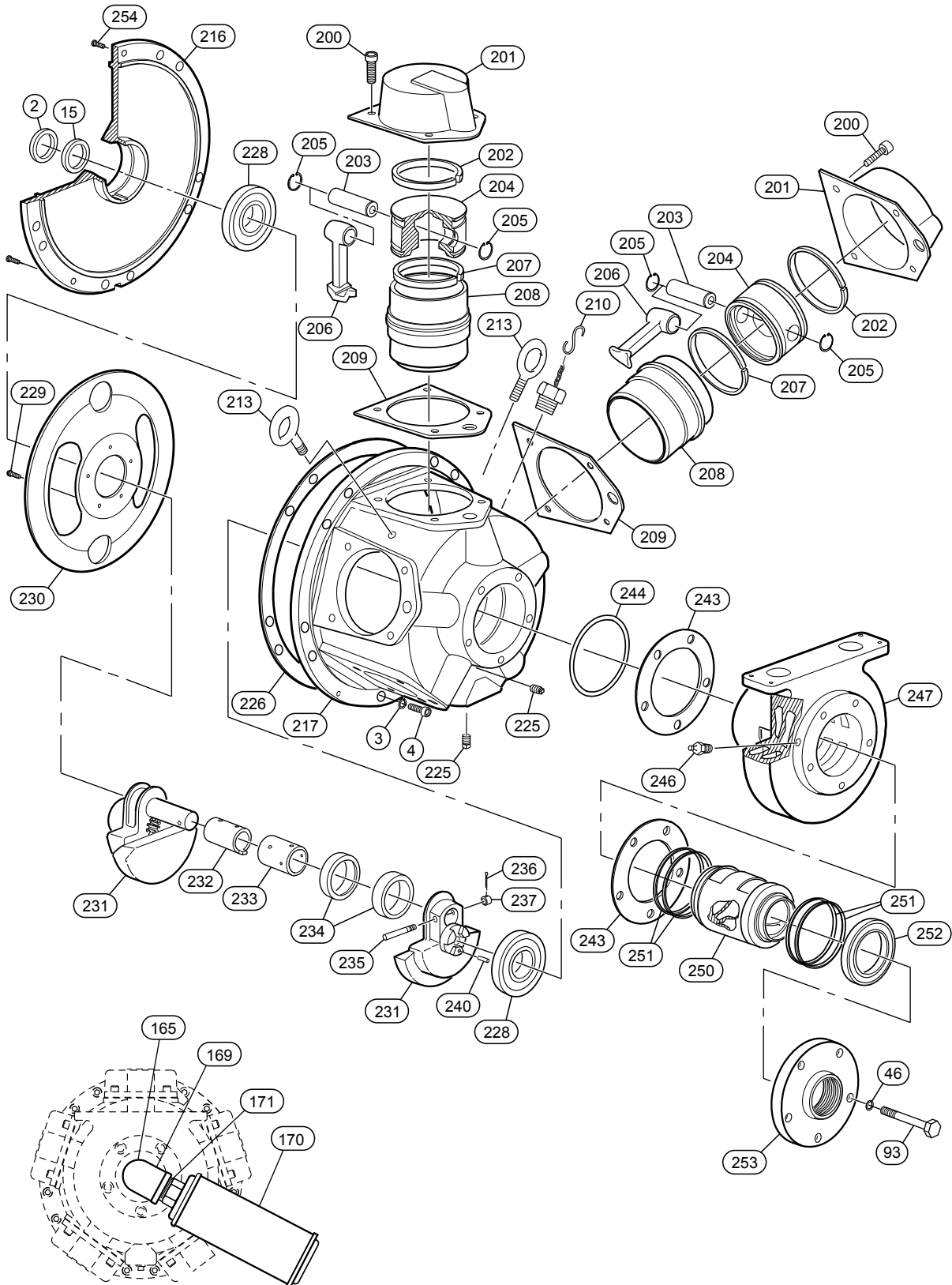
Drum (Item 80) with Band Brake	Part Number (CCN)	Drum (Item 80) w/out Band Brake	Part Number (CCN)	Drum (Item 80) with Band Brake with Drum Lock	Part Number (CCN)	Drum (Item 80) w/out Band Brake with Drum Lock	Part Number (CCN)
Drum (12 in. long) †	382-31207-2-S	Drum (12 in. long) †	382-31540-S	Drum (12 in. long) †	382-31207-2L-S	Drum (12 in. long) †	382-31243-L-S
Drum (16 in. long) †	382-31207-3-S	Drum (16 in. long) †	382-31243-3-S	Drum (16 in. long) †	382-31207-3L-S	Drum (16 in. long) †	382-31243-3L-S
Drum (20 in. long) †	382-31207-4-S	Drum (20 in. long) †	382-31243-4-S	Drum (20 in. long) †	382-31207-4L-S	Drum (20 in. long) †	382-31243-4L-S
Drum (24 in. long) †	382-31207-5-S	Drum (24 in. long) †	382-31243-5-S	Drum (24 in. long) †	382-31207-5L-S	Drum (24 in. long) †	382-31243-5L-S
Drum (30 in. long) †	382-31207-6-S	Drum (30 in. long) †	382-31243-6-S	Drum (30 in. long) †	382-31207-6L-S	Drum (30 in. long) †	382-31243-6L-S
Drum (36 in. long) †	382-31207-7-S	Drum (36 in. long) †	382-31243-7-S	Drum (36 in. long) †	382-31207-7L-S	Drum (36 in. long) †	382-31243-7L-S
Siderail (Item 80) with Band Brake	Part Number (CCN)	Siderail (Item 80) w/out Band Brake	Part Number (CCN)				
with 12 in. Drum †	382-30823-2-S	with 12 in. Drum †	382-30824-2-S				
with 16 in. Drum †	382-30823-3-S	with 16 in. Drum †	382-30824-3-S				
with 20 in. Drum †	382-30823-4-S	with 20 in. Drum †	382-30824-4-S				
with 24 in. Drum †	382-30823-5-S (45967882)	with 24 in. Drum †	382-30824-5-S (45990702)				
with 30 in. Drum †	382-30823-6-S	with 30 in. Drum †	382-30824-6-S				
with 36 in. Drum †	382-30823-7-S	with 36 in. Drum †	382-30824-7-S				

Note 1: Contact Factory for divided drum part numbers.

Note 2: FASTi not available for Man Rider application.

† These parts also come in a cold weather version. Refer to model code, adding CH (DNV) or CHA (ABS) to the end of these part numbers is required to retain winch cold weather certification. Example: Order Drum item (80) (12 inches long) part number 382-31207-2 as part number 382-31207-2CH.

MOTOR ASSEMBLY DRAWING



(Dwg. MHP2693)

MOTOR ASSEMBLY PARTS LIST

Item No.	Description of Part	Total Qty	Part Number (CCN)	Item No.	Description of Part	Total Qty	Part Number (CCN)
199	Motor Assembly	1		213	Eye Bolt	2	71431506
	for use with Control Valve *		K5B-546M-S (71445258)	216	Mounting Flange	1	K5B-502A
	for use w/out Control Valve *		K5B-546LM-S (71444830)	217	Motor Housing (Note 1)	1	382-30415-S (71475818)
2	Oil Seal	1	51873 (03980927)	225	Pipe Plug (Drain)	3	54912 (71077242)
3	Lockwasher	10	51607 (71225973)	226	Gasket	1	K5B-592 (03880655)
4	Capscrew	10	71268205	228	Bearing	2	51066 (03989746)
15	Seal Adapter	1	16354 (71063192)	229	Screw	5	71420277
46	Lockwasher	5	50181 (03898269)	230	Oil Slinger	1	K5B-540 (03880275)
93	Capscrew (Imperial thread)	5	51471 (71076772)	231	Crank Assembly	1	K5B-A516S
	Capscrew (Metric thread)	5	71452536	232	Sleeve	1	K5B-519 (03880267)
165	Reducer Bushing	1	71057459	233	Connecting Rod Bushing	1	K5B-511 (03880242)
169	Pipe, Elbow	1	71057434	234	Connecting Rod Ring	2	K5B-510 (03880218)
170	Muffler	1	50594 (03969524)	235	Lock Pin	1	HU-520 (03185048)
171	Pipe Nipple	1	71057467	236	Cotter Pin	1	53456 (71229389)
200	Capscrew (Metric thread)	20	71434260	237	Pin Nut	1	D02-394 (03197723)
	Capscrew (Imperial thread)		52317 (71063705)	240	Roll Pin	1	54257 (71231104)
201	Cylinder Head	5	K5B-H505 (03884509)	243	Gasket	2	K5B-928 (03880580)
202	Compression Ring	1 Set	K5B546-KRING (03944691)	244	'O' Ring	1	20A11CM248 (95086690)
203	Wrist Pin	5	HU-514A (03504750)	246	Grease Fitting	1	53095 (03900172)
204	Piston	5	**	247	Rotary Valve Housing	1	K5B-545M-S (71449300)
205	Retainer Ring	1	902A45-632-10 (03944717)	250	Rotary Valve Assembly	1	K5B-526EQ-RS (71352900)
206	Connecting Rod	5	K5B-509 (03880333)	251	Seal Ring Assembly	1 set	K5B-607A (03944485)
207	Oil Ring	Order Item 202		252	Bearing	1	K5B-97 (03880473)
208	Cylinder Liner	5	K5B-L505-47 (03880549)	253	Exhaust Flange	1	KK5B-276M (03925245)
209	Head Gasket	1 Set	K5B-507-5 (03944709)	254	Screw	2	71262810
210	Vent Cap Assembly	1	26604 (71339949)	411	Label, Caution (Note 2)	1	43810134

* K5B-546M-S includes items 2-4, 93, 200-210, 213, 214, 216, 217, 225, 226, 228-237, 240, 243, 244, 246, 247, 250-253, for use with control valve.

* K5B-546LM-S includes items 2-4, 93, 200-210, 213, 214, 216, 217, 225, 226, 228-237, 240, 243, 244, 246, 247, 250-253, for use without control valve.

** Parts not sold separately. Refer to "K5B Motor Assembly Kit List."

Note 1: Motor housing (217) includes items 93, 200, 213, 949 and 951; Refer to control valve for 949 and 951.



- **Check serial number before mounting control valve, these capscrews have been provided in both metric and standard threads for old and new style rotary housing. Refer to label item 411.**

Note 2: Item 411 is provided with kits and not shipped with complete unit.

MOTOR ASSEMBLY PARTS LIST CONTINUED

Motor Assembly Service and Replacement Kit List:

Item No.	Description of Part	Total Qty	Part Number (CCN)
1002	Service Kit: Motor (including in Overhaul Kits) (include items: 2-5, 15, 93, 200, 202, 205, 207-209, 225, 226, 228, 229, 233, 235-237, 243, 244, 246, 251, 252 and 254)	1	71390181
1003	Motor Gasket Kit (include items: 209, 226, 243, 244, 248 and 946)	1	26823 (71351498)
1004	Motor Assembly with Control Valve (include items: 2, 15 and 227)	1	K5B-546M-S (71445258)
1005	Motor Assembly without Control Valve (include items: 2, 15 and 227)	1	K5B-546LM-S (71444830)
1006	Piston Assembly (include items: 202, 203, 205 and 207)	1	K5B-A513-47 (03924495)
1007	Rotary Valve Assembly (include items: 243, 244, 251, 252 and 250)	1	K5B-526EQ-RS (71352900)
1008	Crankshaft Assembly (include items: 206, 228-237 and 240)	1	K5B-A516 (03918851)
1009	Replacement Kit: Muffler (include items: 165, 169-171, 957-959)	1	24375 (71266019)

DISC BRAKE ASSEMBLY PARTS LIST

Item No.	Description of Part	Total Qty	Part Number (CCN)	Item No.	Description of Part	Total Qty	Part Number (CCN)
1	Capscrew (with Disc Brake)	8	51471 (71076772)	21	Brake Housing †	1	382-31000 (71444715)
7	Shaft Extender	1	10594 (71062582)	22	Fitting, Reducer Bushing	1	51803 (71076582)
8	Brake Reaction Plate	1	10597 (71075204)	24	Pipe Plug	2	51467 (71074702)
9	Spring	15	50751 (03990181)	29	Breather	1	51857 (71062558)
10	Brake Piston	1	382-31002 (71444731)	30	'O' Ring	1	51458 (03974805)
11	Seal	1	71444822	44	Label, Low Pressure	1	71465942
12	Seal	1	51462 (03974821)	60	Rivet	2	71028849
13	Collar	1	71039333	604	Fitting, Nipple	1	50859 (71063655)
16	Friction Plate	5	71126874	605	Gauge, Pressure	1	43806249
17	Drive Plate †	6	382-31004 (71444756)	606	Fitting, Tee	1	71063374
19	Gear †	1	382-31707 (71463269)	607	Dump Valve	1	50276 (71025704)
20	Reaction Ring	1	382-31080 (71446793)	608	Vented, Fitting	1	20770 (71121784)

Note: Refer to "KITS" on page 49.

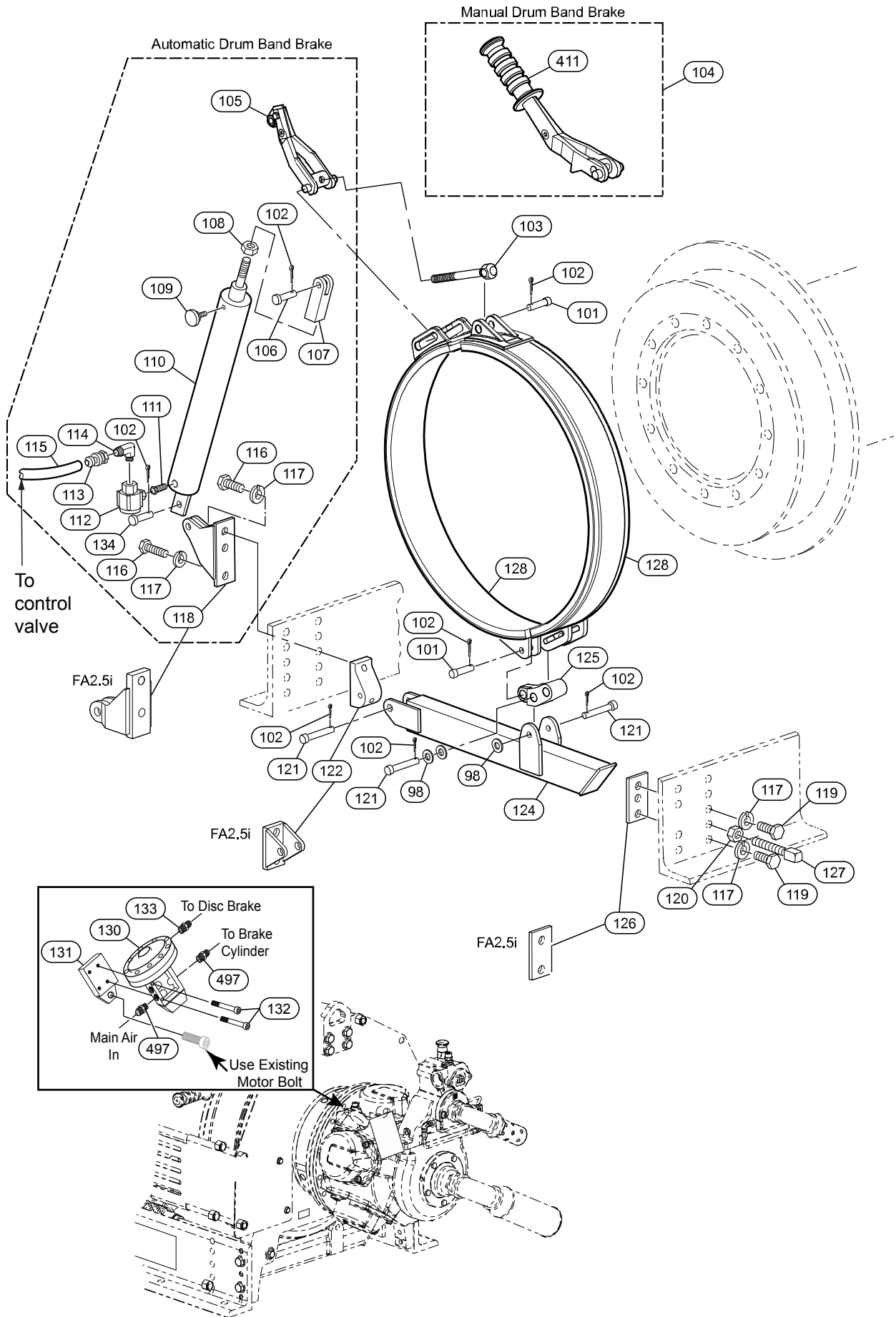
† These parts also come in a cold weather version. Refer to model code. Adding CH (DNV) or CHA (ABS) to the end of these part numbers is required to retain winch cold weather certification. Example: Order Brake Housing item (21) part number 382-31000 (71444715) as part number 382-31000CH.

Certification Type	Example Part Number To Order	
ABS	---	382-30698-2CHA
DNV	382-30698-2CH	---

Disc Brake Assembly Service Kit List:

Item No.	Description of Part	Total Qty	Part Number (CCN)
1010	Conversion Kit: Automatic Disc Brake (include items: 1, 3-5, 7-13, 16, 17, 19-22, 24, 29, 30, 33, 44, 60, 115, 343, 604-609, 740, 743 and 956)	1	382-32548 (43801984)
1011	Service Kit: Disc Brake (included in Overhaul Kits) (include items: 1, 3, 4, 5, 9, 11-13, 16, 17, 22, 29, 30, 604-608)	1	382-32144 (71473441)
1012	Conversion Kit: FA2.5i Automatic Disc Brake (include items: 1, 3-5, 7-13, 16, 17, 19-22, 24, 29, 30, 33, 35-38, 44, 60, 604-608)	1	47540211001

DRUM BAND BRAKE ASSEMBLY DRAWING



(Dwg. MHP2694)

DRUM BAND BRAKE ASSEMBLY PARTS LIST

Item No.	Description of Part	Total Qty	Part Number [CCN]		
			FA2.5i Manual Brake Automatic Brake	FA5i Manual Brake Automatic Brake	FA5Ti Manual Brake Automatic Brake
80	Drum with band brake	1	Refer to "FA2.5i Drum and Siderail Parts List on page 10.		
82	Siderail	2			
			Refer to "FA5i Drum and Siderail Parts List on page 10.		
			Refer to "FA5Ti Drum and Siderail Parts List on page 11.		

Common Parts:

98	Washer	3	50890 [03933017]		52914 [71086466]		Contact Factory	
101	Pin †	2	382-31615 [71461347]		382-31615 [71461347]		382-31615 [71461347]	
102	Cotter Pin	See ()	51996 [71128425] (5)	51996 [71128425] (7)	51996 [71128425] (5)	51996 [71128425] (7)	51996 [71128425] (5)	51996 [71128425] (7)
103	Link Stud †	1	2448 [03979697]		4115 [03979010]		4115 [03979010]	
104	Brake Lever - Manual Brake †	1	382-31264 [71450506]	---	4127 [03979028]	---	382-31371 [71455638]	---
105	Brake Lever - Automatic Brake	1	---	11498 [71049001]	---	21158 [71201792]	---	21158 [71201792]
106	Pin	1		8609 [03904711]		8609 [03904711]		8609 [03904711]
107	Clevis	1		6237-2 [71049019]		8586 [03904703]		383-2940
108	Nut	1		50159 [03898210]		50152 [71223002]		50152 [71223002]
109	Breather	1		52384 (03899325)		52384 (03899325)		52384 (03899325)
110	Cylinder	1		4575-1 (03972668)		8575 (03971876)		8575 (03971876)
111	Fitting, Bushing	1		52006 [71086839]		52006 [71086839]		52006 [71086839]
112	Dump Valve	1		51954 [03974870]		51954 [03974870]		51954 [03974870]
113	Hose End	2		51029 [03990298]		51029 [03990298]		51029 [03990298]
114	Fitting, Elbow	1		52181 [03908357]		52181 [03908357]		54272 [71231153]
115	Hose (bulk)	As Req'd	50923 [03990215]	50923 [03990215]	50923 [03990215]			
116	Capscrew	3	52014 [71226658]	52014 [71226658]	52014 [71226658]			
117	Washer	See ()	71293005 (3)		52915 [71004436] (4)	52915 [71004436] (5)	71293005 (4)	
118	Bracket	1	---	382-30728 (71438113)	---	11329 (71064992)	---	11329 (71064992)
119	Capscrew	See ()	71128193 (3)		71128193 (2)		71128193 (4)	
120	Nut	1	54661 [71232086]		54661 [71232086]		54661 [71232086]	
121	Pin †	3	3704-S [03978699]		382-31614 [71461339]		382-31614 [71461339]	
122	Pivot Bracket †	1	382-30630 [71435580]		10881 [71130330]		10881 [71130330]	
124	Brake Arm	1	11147 [71082804]		382-31610 [71461297]		382-31617 [71461354]	
125	Connecting Link †	1	11144 [71083034]		10882 [71075311]		10882 [71075311]	
126	Stop Plate	1	382-30629 [71435572]		10879 [71075329]		10879 [71075329]	
127	Screw, Adjusting	1	HU-775 [03185964]		71033104		71033104	
• 128	Band Brake †	1 Set	382-29303 [71417612]		382-31948 [71468706]		382-31948 [71468706]	
130	Valve, Volume Boost	1	---	71397194	---		---	
131	Bracket	1		382-32137 (71473086)	---		---	
132	Capscrew	2		71386957	---		---	
133	Fitting, Tube	1		52092	---		---	
134	Pin	1		382-30729 [71438139]	---	22442 [71134290]	---	22442 [71134290]
411	Handle Grip	1	71436851	---	71436851	---	71436851	---
497	Fitting, Tube	2	---	51814 (03980752)	---		---	

• Recommended spare for one winch, 2 years of operation.

Note: Refer to "KITS" on page 49.

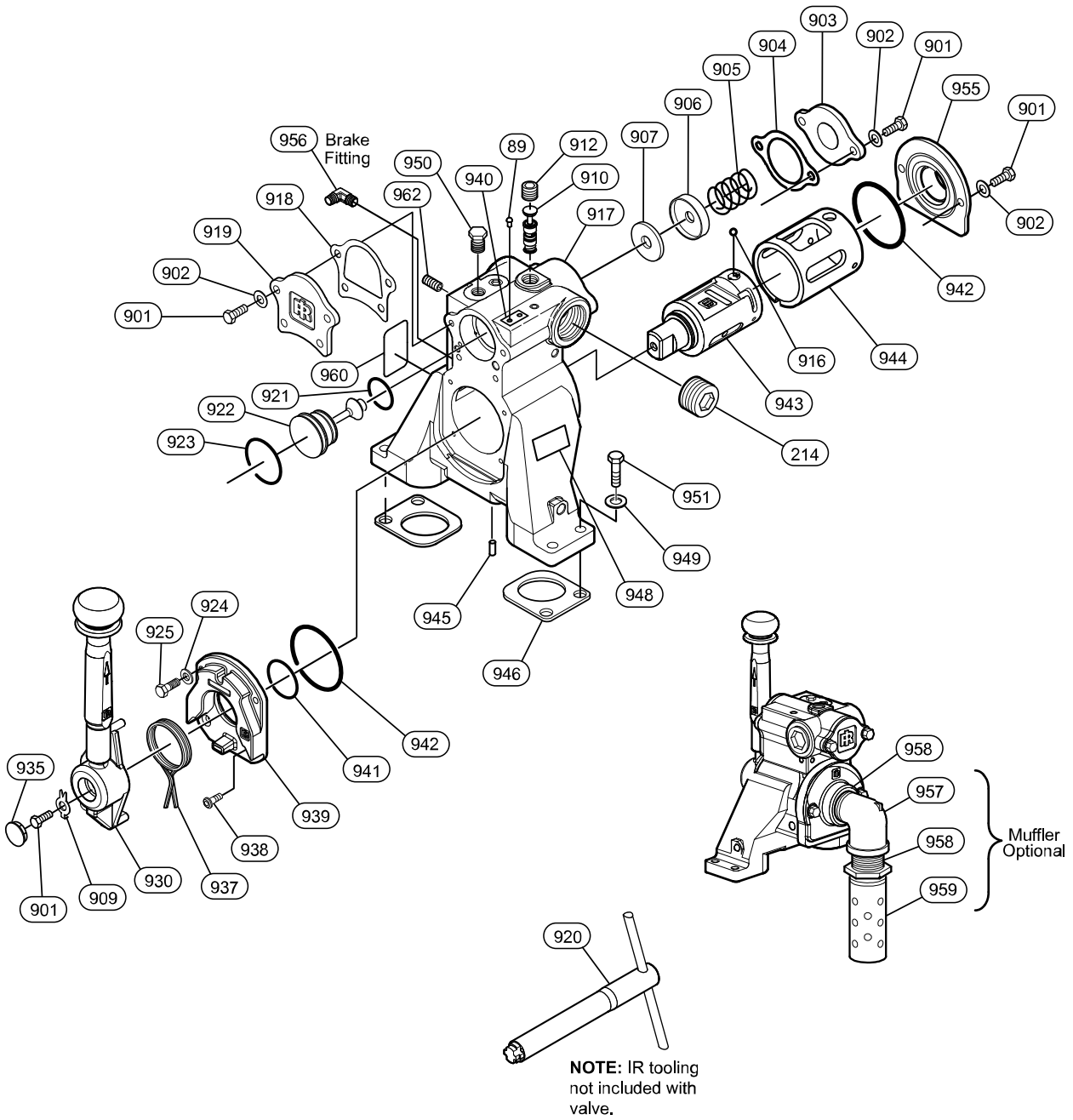
† These parts also come in a cold weather version. Refer to model code, adding CH (DNV) or CHA (ABS) to the end of these part numbers is required to retain winch cold weather certification. Example: Order Pivot Bracket item (122) part number 10881 should be ordered as part number 10881CH.

Certification Type	Example Part Number To Order	
ABS	---	382-30698-2CHA
DNV	382-30698-2CH	---

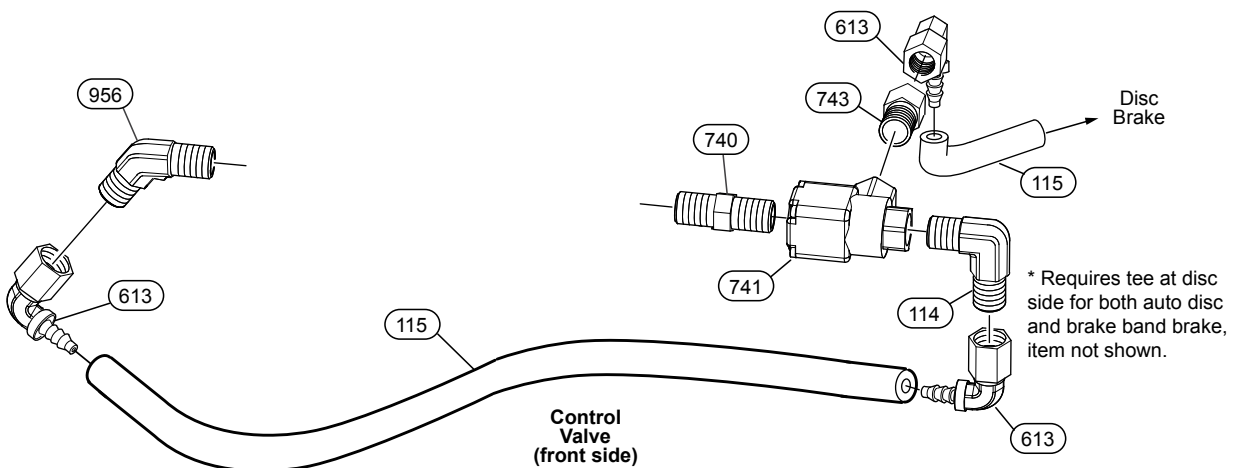
Drum Band Brake Assembly Service Kit List:

Item No.	Description of Part	Total Qty	Part Number (CCN)
1013	Conversion Kit: FA2.5i Automatic Band Brake (include items: 102, 103, 105, 106, 113, 115-118, 130-134 and 497)	1	47540171001
1014	Service Kit: FA2.5i Band Brake (included in Overhaul Kits) (include items: 102 and 128)	1	47540205001
1015	Conversion Kit: Automatic Band Brake (include items: 102, 105-118, 120, 130-134 and 497)	1	382-32550 (43802107)
1016	Service Kit: Band Brake (included in Overhaul Kits) (include items: 102-128)	1	47528603001

CONTROL VALVE ASSEMBLY DRAWING



(Dwg. MHP2696)



(Dwg. MHP3182)

CONTROL VALVE ASSEMBLY PARTS LIST

Item No.	Description of Part	Total Qty	Part Number (CCN)	Item No.	Description of Part	Total Qty	Part Number (CCN)
900	Control Valve Assembly	1	K5C2-X (71382295)	925	Capscrew	2	71348338
89	Rivet	2	71028849	930	Handle Assembly	1	27239-1 (71398283)
114	Fitting, Elbow	1	52181 (03908357)	935	Plug	1	71348965
115	Hose (bulk)	As Req'd	50923 (03990215)	937	Spring	1	26966 (71348262)
214	Plug	1	71263297	938	Buttonhead Screw	2	71394407
613	Fitting	1	52179 (03895729)	939	Seal Bracket (Note 2)	1	28733-S (71394944)
740	Fitting, Connector	3	71367908	940	Tag (No FA2B)	1	71392757
741	Shuttle Valve	1	50277 (03969466)	941	'O' Ring	1	71357198
743	Fitting	1	51814 (71367908)	942	'O' Ring	2	51651 (71292056)
901	Capscrew	9	71342034	943	Reverse Valve Kit (Normal) **	1	27925-XLP (71471585)
902	Washer	8	71303408		Reverse Valve (Reverse Bias) **		28002 (71377303)
903	Poppet Cover	1	26997 (71350813)		Reverse Valve (Unbiased)		****
904	Poppet Gasket	1	27064 (71350862)	944	Bushing (Normal) ***	1	382-29739 (71417067)
905	Poppet Spring	1	71351068		Bushing (Reverse Bias) ***		27450 (71359707)
906	Poppet Cap	1	28734 (71394381)		Bushing (Unbiased)		****
907	Poppet Seal	1	26991 (71348908)	945	Dowel Pin	1	71146674
909	Washer, Tablock	1	71398051	946	Gasket	Set	27115 (71351936)
910	Pilot Valve Assembly	1	28696 (71393508)	948	Label, Throttle Direction	1	71352777
912	Plug	1	71267561	949	Washer	4	71413355
916	Ball	1	D10-280 (03176864)	950	Plug	1	71366348
917	Valve Housing	1	*	951	Capscrew	4	71431365
918	Cover Gasket	1	26999 (71349112)	955	Exhaust Flange	1	26691 (71348320)
919	Piston Cover	1	26998 (71350821)	956	Fitting, Elbow	1	71367932
920	IR Pilot Valve Tool	1	28690 (71393276)	957	Fitting, Elbow	1	54299 (71231195)
921	'O' Ring	1	52537 (03968617)	958	Fitting, Nipple	2	71311252
922	Piston (Note 1)	1	28735-S (71394936)	959	Muffler	1	52472 (03981040)
923	'O' Ring	1	71355796	960	Label, Warning	1	71373229
924	Washer	2	71271985	962	Breather	1	51559 (03989571)

* Item 917 not sold separately, order item 900

** Reverse Valve (Normal) for Standard Overwound operation. Reverse Valve (Reverse Bias) for Optional Underwound operation.

*** Ensure Bushing matches Reverse Valve (Reverse Valve (Normal) and Bushing (Normal)). Mixing these components can result in erratic winch operation.

**** Reverse Valve (Unbiased) and Bushing (Unbiased) contact factory for application.

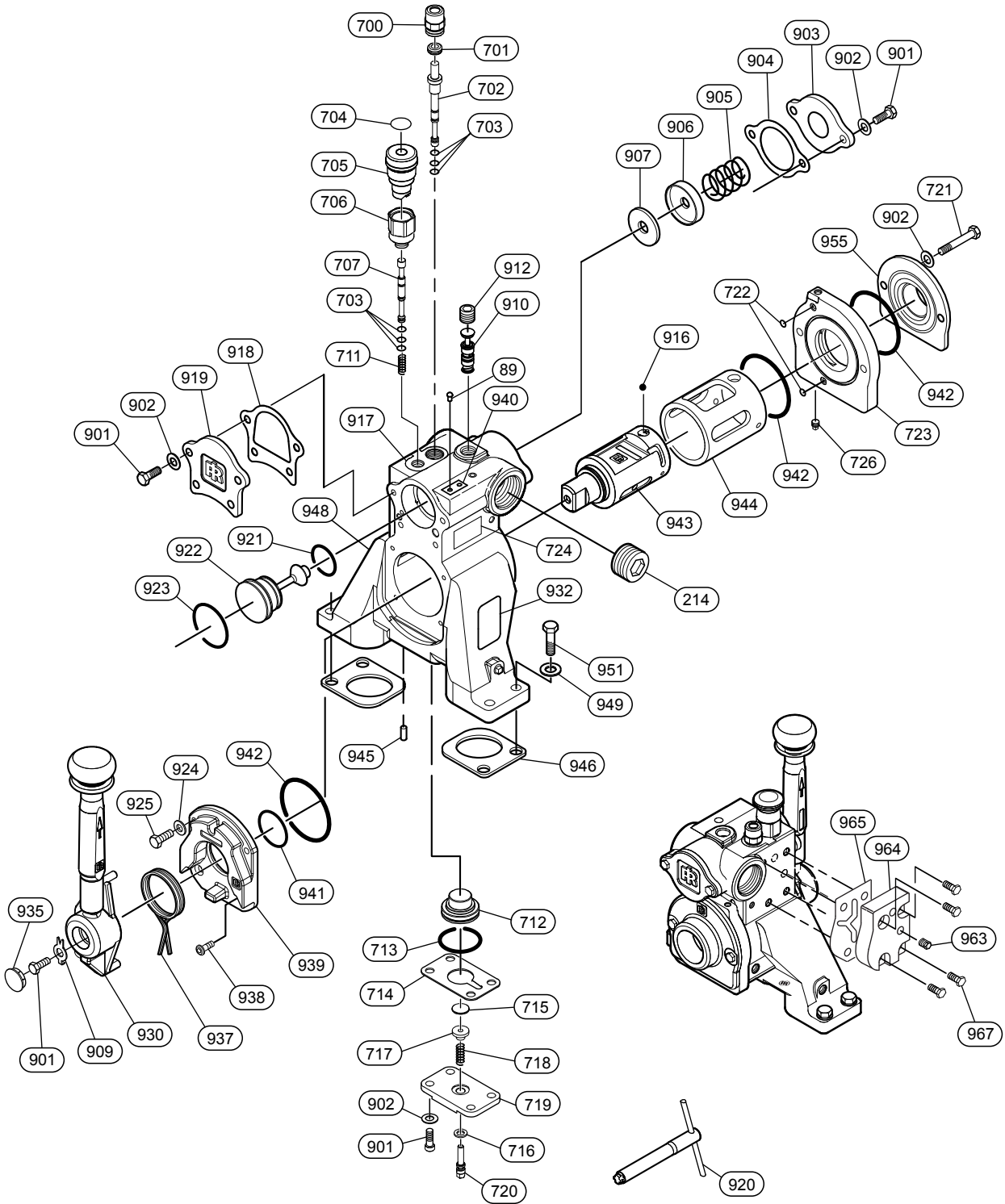
Note 1: Includes items (6) each of 901 and 902, items 904-907, 918, 921 and 923.

Note 2: Includes items (1) each of 901 and 902, items 924, 925, 935, 937, 938, 941 and 942.

Control Valve Assembly Kit List:

Item No.	Description of Part	Total Qty	Part Number (CCN)
1017	K5C2 Valve	1	27240 (71354401)

EMERGENCY STOP AND OVERLOAD CONTROL VALVE ASSEMBLY DRAWING (-E MODEL)



(Dwg. MHP2697)

EMERGENCY STOP AND OVERLOAD CONTROL VALVE ASSEMBLY PARTS LIST (-E MODEL)

Item No.	Description of Part	Total Qty	Part Number (CCN)	Item No.	Description of Part	Total Qty	Part Number (CCN)
908	Control Valve Assembly	1	K5C2-EXLP (71455372)	918	Cover Gasket	1	26999 (71349112)
89	Rivet	2	71028849	919	Piston Cover	1	26998 (71350821)
214	Plug	1	71263297	920	IR Pilot Valve Tool	1	28690 (71393276)
700	Cap	1	27491 (71360721)	921	'O' Ring	1	52537 (03968617)
701	Grommet	1	71365779	922	Piston (Note 1)	1	28735-S (71394936)
702	Plunger	1	27490 (71360716)	923	'O' Ring	1	71355796
703	'O' Ring	6	71127039	924	Washer	2	71271985
704	Label, Stop	1	95790099 (DNM38730107)	925	Capscrew	2	71348338
705	Button, E-Stop	1	71372601	930	Handle Assembly	1	27239-1 (71398283)
706	Adapter	1	27488 (71360697)	935	Plug	1	71348965
707	Plunger	1	27489 (71360705)	937	Spring	1	26966 (71348262)
711	Spring	1	71365787	938	Buttonhead Screw	2	71394407
712	Piston	1	27964 (71372593)	939	Seal Bracket (Note 2)	1	28733-S (71394944)
713	'O' Ring	1	51768 (03989514)	940	Tag, No FA2B	1	71392757
714	Gasket	1	27493 (71360747)	941	'O' Ring	1	71357198
715	Plate	1	27624 (71364376)	942	'O' Ring	3	51651 (71292056)
716	'O' Ring	1	71365795	943	Reverse Valve Kit (Normal) **	1	27925-XLP (71471585)
717	Adjustment Nut	1	24374 (71265995)		Reverse Valve (Reverse Bias) **		**
718	Spring	1	71053730		Reverse Valve (Unbiased)		****
719	Cover	1	27494 (71360754)	944	Bushing (Normal) ***	1	382-29739 (71417067)
720	Screw, Adjusting	1	27571 (71365605)		Bushing (Reverse Bias) ***		***
721	Capscrew	2	71398879		Bushing (Unbiased)		****
722	'O' Ring	2	71138135	945	Dowel Pin	1	71146674
723	Exhaust Adapter	1	27540 (71362784)	946	Gasket	Set	27115 (71351936)
724	Label Plate, LP (Note 3)	1	71465959	948	Label, Throttle Direction	1	71352777
726	Plug	1	27945 (71372635)	949	Washer	4	71413355
901	Capscrew	11	71342034	951	Capscrew	4	71431365
902	Washer	12	71303408	955	Exhaust Flange	1	26691 (71348320)
903	Poppet Cover	1	26997 (71350813)	956	Fitting, Elbow	1	71367932
904	Poppet Gasket	1	27064 (71350862)	957	Fitting, Elbow (refer to Dwg. MHP2696)	1	54299 (71231195)
905	Poppet Spring	1	71351068	958	Fitting, Nipple (refer to Dwg. MHP2696)	1	71311252
906	Poppet Cap	1	28734 (71394381)	959	Muffler (refer to Dwg. MHP2696)	1	52472 (03981040)
907	Poppet Seal	1	26991 (71348908)	960	Label, Warning	1	71373229
909	Washer, Tablock	1	71398051	963	Plug	3	28628
910	Pilot Valve Assembly	1	28696 (71393508)	964	Manifold Block †	1	382-31727 (71463681)
912	Plug	1	71267561	965	Gasket †	1	382-31762
916	Ball	1	D10-280 (03176864)	966	Washer †	4	71271985
917	Valve Housing	1	*	967	Capscrew †	4	71348338

EMERGENCY STOP AND OVERLOAD CONTROL VALVE ASSEMBLY PARTS LIST (-E MODEL) CONTINUED

- † Items 964 through 967 refer to Dwg. MHP3069 on page 27.
- * Item 917 not sold separately, order item 908.
- ** Reverse Valve (Normal) for Standard Overwound operation. Reverse Valve (Reverse Bias) for Optional Underwound operation.
- *** Ensure Bushing matches Reverse Valve (Reverse Valve [Normal] and Bushing [Normal]). Mixing these components can result in erratic winch operation.
- **** Reverse Valve (Unbiased) and Bushing (Unbiased) contact factory for application.

Refer to 'Control Valve Assembly Parts List' on page 17 for Notes 1 and 2 and all other kit part numbers.

Note 1: Includes items (6) each of 901 and 902, items 904-907, 918, 921 and 923.

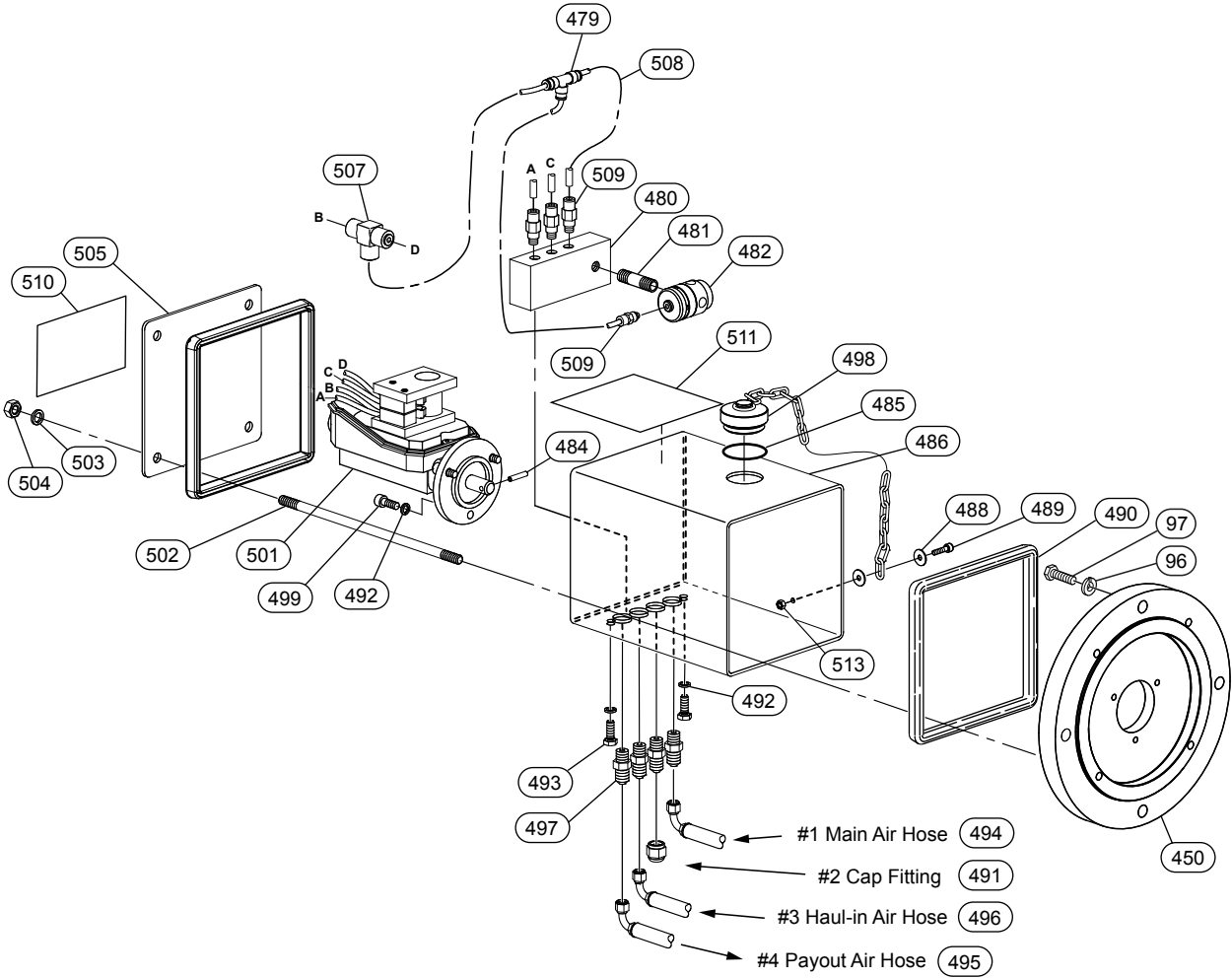
Note 2: Includes items (1) each of 901 and 902, items 924, 925, 935, 937, 938 and 940.

Note 3: Refer to Label Placement Dwg. MHP2718 on page 48.

Emergency Stop and Overload Control Valve Assembly Kit List:

Item No.	Description of Part	Total Qty	Part Number (CCN)
1018	K5C2-E E-Stop Seal Kit (include items: 703, 711)	1	27994 (71373328)

LIMIT SWITCH (OPTIONAL) ASSEMBLY DRAWING



(Dwg. MHP2677)

LIMIT SWITCH (OPTIONAL) ASSEMBLY PARTS LIST

Item No.	Description of Part	Total Qty	Part Number (CCN)	Item No.	Description of Part	Total Qty	Part Number (CCN)
475	Limit Switch Assembly (Note 1)	1	382-32134-5 (43807759)	495	Hose Assembly (42 in. [1067 mm]) standard hose	1	382-31423-10 (71457444)
96	Washer	4	71376370		Hose Assembly (42 in. [1067 mm]) stainless steel hose		382-31426-10 (71457642)
97	Capscrew	4	52160	496	Hose Assembly (42.5 in. [1080 mm]) standard hose	1	382-31423-9 (71457436)
450	Adapter (FA2.5i)	1	382-30831 (71439962)		Hose Assembly (42.5 in. [1080 mm]) stainless steel hose		382-31426-9 (71457634)
	Adapter (FA5i/5Ti)	1	382-30829 (71439947)	497	Fitting, Hose	4	51814 (03980752)
479	Fitting, Hose Tee	1	5825-5860	498	Cap Assembly	1	9615-0662 (38599577)
480	Connection Block	1	382-31427 (71457501)	499	Capscrew	3	71324115
481	Fitting, Pipe	1	54242 (03895778)	501	Spindle Switch Assembly (Note 2)	1	382-32134-5 (43807759)
482	3-way Valve	1	71460760	502	Rod	4	382-31037 (71445639)
484	Pin	1	4650-3420 (38523627)	503	Washer	4	4520-1008 (38543484)
• 485	'O' Ring	1	5823-7529	504	Nut	4	4300-3511 (38633079)
486	Housing	1	382-32124 (71472872)	505	Cover, Housing	1	9615-0566 (38595880)
488	Washer	2	4500-1104 (38560991)	507	Fitting, Hose Tee	1	71457519
489	Capscrew	1	4131-1906 (38631404)	508	Hose	1	6804-5328 (38582326)
• 490	Gasket	2	6976-1541 (38595864)	509	Fitting, Adapter	4	71457485
491	Fitting, Cap	1	71111975	510	Label, Limit Switch Configuration	1	71459929
492	Washer	5	4520-1006 (38540142)	511	Label, Limit Switch Instructions, Underwind Winches Only	1	71462337
493	Capscrew	2	4102-1804		Label, Limit Switch Instructions, Overwind Winches Only	1	71446439
494	Hose Assembly (37 in. [940 mm]) standard hose	1	382-31423-8 (71457428)	*	Chain	As Req'd	6903-3232 (38653663)
	Hose Assembly (37 in. [940 mm]) stainless steel hose		382-31426-8 (71457626)	*	Chain Grip	1	9412-0206 (38711420)

• Recommended spare for one winch, 2 years of operation.

Note 1: Includes items 476-481, 484-486 and 488-509.

Note 2: Item not sold separately. Order Limit Switch Assembly, item 475.

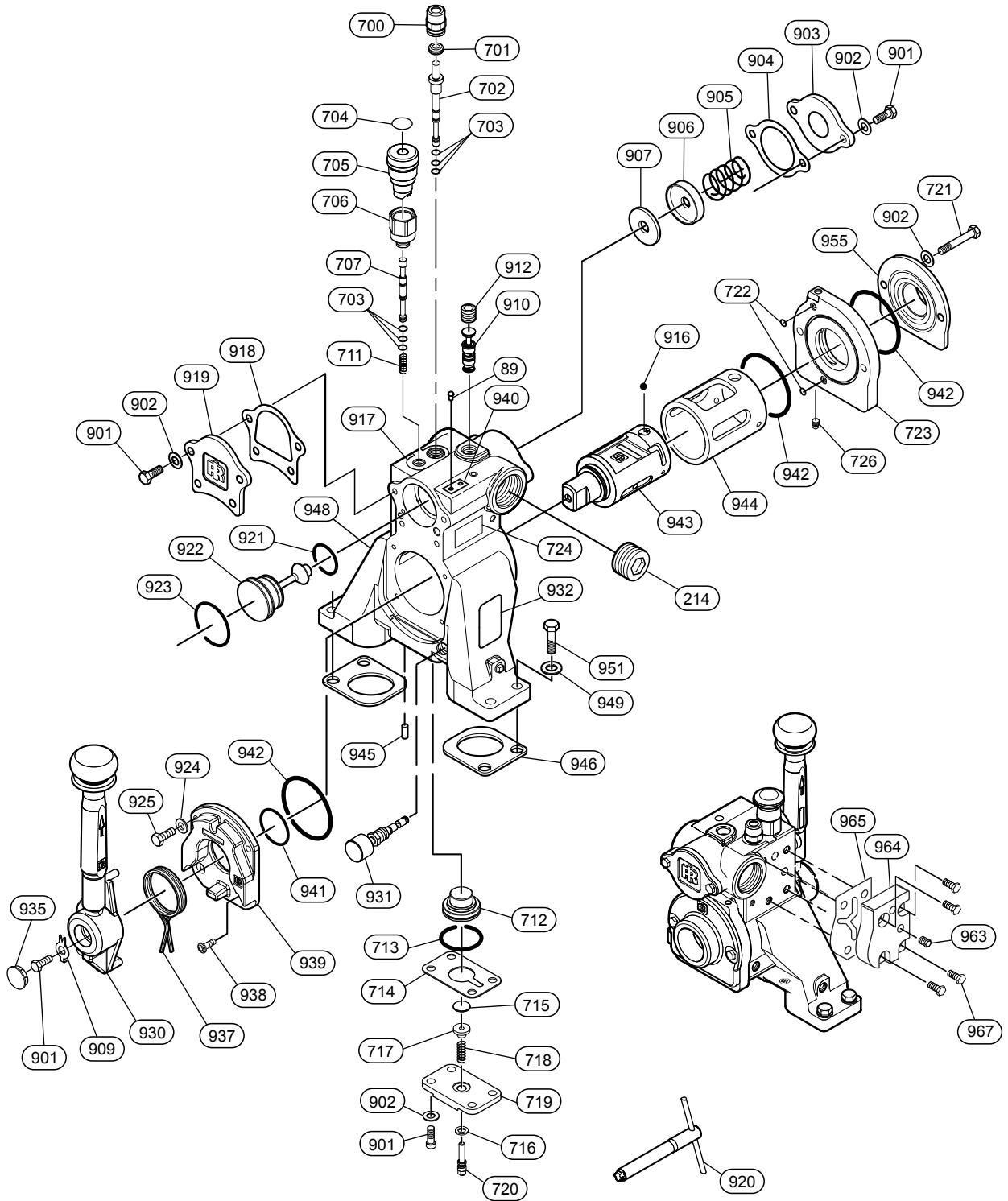
Note 3: If converting a winch to have a Limit Switch Assembly order item 450.

Limit Switch (Optional) Assembly Service and Replacement Kit List:

Item No.	Description of Part	Total Qty	Part Number (CCN)
1019	Service Kit: Limit Switch (include items: 96, 97, 306, 485, 488-493, 499, 502-504, 513 and 582)	1	47534540001
1020	Replacement Kit: Limit Switch Assembly (include items: 510, 511 and *(479-482, 485, 486, 488-493, 497-499, 501-505, 507-509))	1	382-32134-5 (43807759)

* Limit Switch Assembly items not sold separately

CE MAN RIDER CONTROL VALVE ASSEMBLY DRAWING



(Dwg. MHP3069)

CE MAN RIDER CONTROL VALVE ASSEMBLY PARTS LIST

Item No.	Description of Part	Total Qty	Part Number (CCN)	Item No.	Description of Part	Total Qty	Part Number (CCN)
908	Control Valve Assembly	1	K5C2-MRCE (458969170)	919	Piston Cover	1	26998 (71350821)
89	Rivet	2	71028849	920	IR Pilot Valve Tool	1	28690 (71393276)
214	Plug	1	71263297	921	'O' Ring	1	52537 (03968617)
700	Cap	1	27491 (71360721)	922	Piston (Note 1)	1	28735-S (71394936)
701	Grommet	1	71365779	923	'O' Ring	1	71355796
702	Plunger	1	27490 (71360716)	924	Washer	2	71271985
703	'O' Ring	6	71127039	925	Capscrew	2	71348338
704	Label, Stop	1	95790099 (DNM38730107)	930	Handle Assembly	1	27239-1 (71398283)
705	Button, E-Stop	1	71372601	931	Selector Valve Assembly	1	382-34324 (45896875)
706	Adapter	1	27488 (71360697)	932	Label, Mode Selector	1	45899051
707	Plunger	1	27489 (71360705)	935	Plug	1	71348965
711	Spring	1	71365787	937	Spring	1	26966 (71348262)
712	Piston	1	27964 (71372593)	938	Buttonhead Screw	2	71394407
713	'O' Ring	1	51768 (03989514)	939	Seal Bracket (Note 2)	1	28733-S (71394944)
714	Gasket	1	27493 (71360747)	940	Tag, No FA2B	1	71392757
715	Plate	1	27624 (71364376)	941	'O' Ring	1	71357198
716	'O' Ring	1	71365795	942	'O' Ring	3	51651 (71292056)
717	Adjustment Nut	1	24374 (71265995)	943	Reverse Valve Kit (Normal) **	1	27925-XLP (71471585)
718	Spring	1	71053730		Reverse Valve (Reverse Bias) **		**
719	Cover	1	27494 (71360754)		Reverse Valve (Unbiased)		****
720	Screw, Adjusting	1	27571 (71365605)	944	Bushing (Normal) ***	1	382-29739 (71417067)
721	Capscrew	2	71398879		Bushing (Reverse Bias) ***		***
722	'O' Ring	2	71138135		Bushing (Unbiased)		****
723	Exhaust Adapter	1	27540 (71362784)	945	Dowel Pin	1	71146674
724	Label Plate, LP (Note 3)	1	71465959	946	Gasket	Set	27115 (71351936)
726	Plug	1	27945 (71372635)	948	Label, Throttle Direction	1	71352777
901	Capscrew	11	71342034	949	Washer	4	71413355
902	Washer	12	71303408	951	Capscrew	4	71431365
903	Poppet Cover	1	26997 (71350813)	955	Exhaust Flange	1	26691 (71348320)
904	Poppet Gasket	1	27064 (71350862)	956	Fitting, Elbow	1	71367932
905	Poppet Spring	1	71351068	957	Fitting, Elbow (refer to Dwg. MHP2696)	1	54299 (71231195)
906	Poppet Cap	1	28734 (71394381)	958	Fitting, Nipple (refer to Dwg. MHP2696)	1	71311252
907	Poppet Seal	1	26991 (71348908)	959	Muffler (refer to Dwg. MHP2696)	1	52472 (03981040)
909	Washer, Tablock	1	71398051	960	Label, Warning	1	71373229
910	Pilot Valve Assembly	1	28696 (71393508)	963	Plug	3	28628 (71391536)
912	Plug	1	71267561	964	Manifold Block	1	382-31727
916	Ball	1	D10-280 (03176864)	965	Gasket	1	382-31762 (71464176)
917	Valve Housing	1	*	966	Washer	4	71271985
918	Cover Gasket	1	26999 (71349112)	967	Capscrew	4	71348338

- * Item 917 not sold separately, order item 908.
- ** Reverse Valve (Normal) for Standard Overwound operation. Reverse Valve (Reverse Bias) for Optional Underwound operation.
- *** Ensure Bushing matches Reverse Valve (Reverse Valve [Normal] and Bushing [Normal]). Mixing these components can result in erratic winch operation.
- **** Reverse Valve (Unbiased) and Bushing (Unbiased) contact factory for application.

Refer to 'Control Valve Assembly Parts List' on page 17 for Notes 1 and 2 and all other kit part numbers.

Note 1: Includes items (6) each of 901 and 902, items 904-907, 918, 921 and 923.

Note 2: Includes items (1) each of 901 and 902, items 924, 925, 935, 937, 938 and 940.

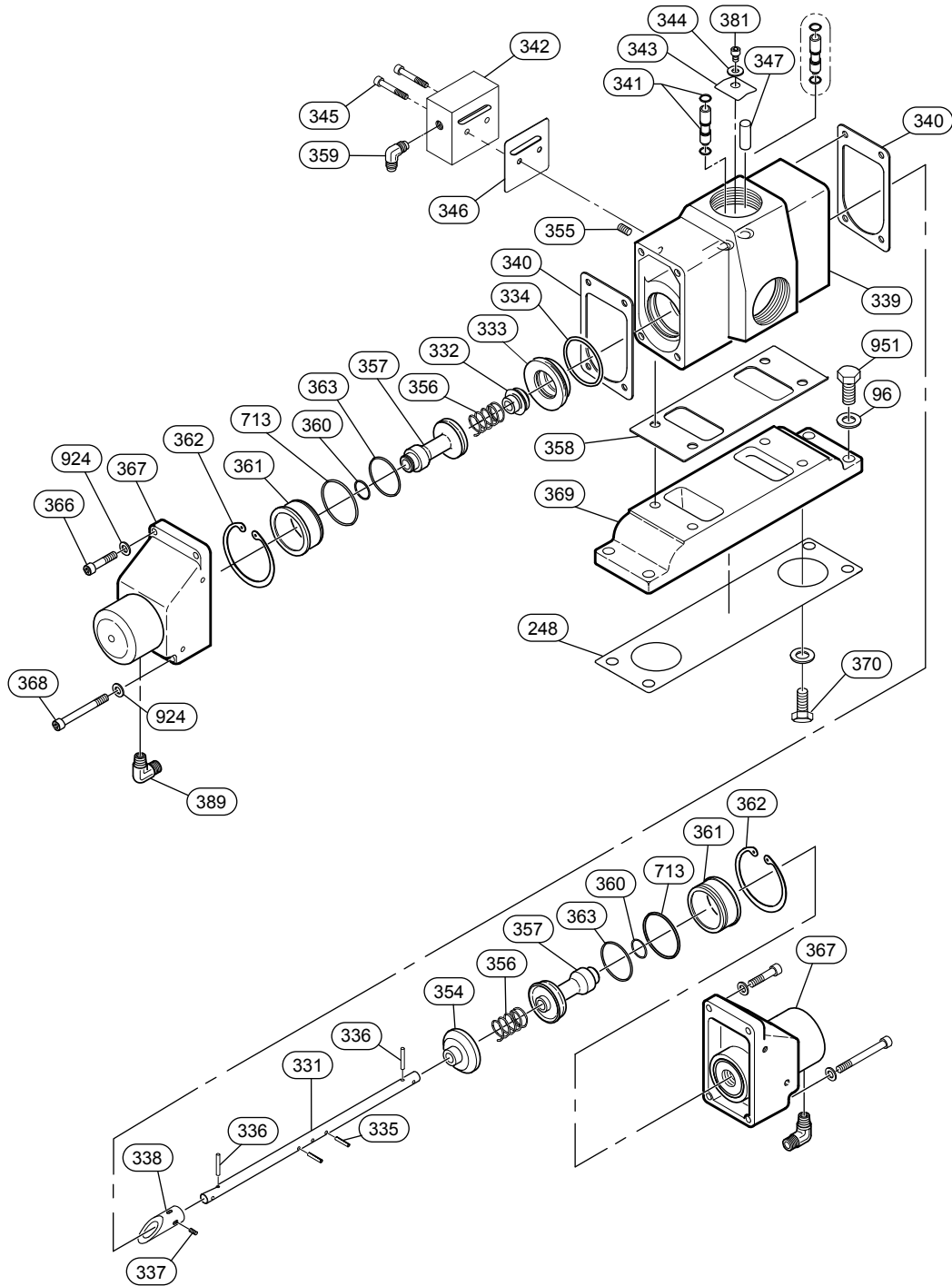
Note 3: Refer to Label Placement Dwg. MHP2718 on page 48.

CE Man Rider Control Valve Assembly Service Kit List:

Item No.	Description of Part	Total Qty	Part Number (CCN)
1021	Service Kit: K5C2 Valve (included in Overhaul Kits) (include items: 701, 703, 711, 713, 714, 716, 721, 722, 901, 902, 904, 905, 907, 909, 916, 918, 921, 923, 924, 925, 935, 937, 938, 941, 942, 946, 949, 951 and 965)	1	27240 (71354401)

PENDANT OPERATED PILOT CONTROL VALVE (OPTIONAL) ASSEMBLY DRAWING

Single Air Brake: Qty. = 1 each of Item 341 and Item 347.
 Dual Air Brake: Qty. = 2 of Item 341, 0 of Item 347.
 No Air Brake: Qty. = 2 of Item 347, 0 of Item 341.



(Dwg. MHP3091)

PENDANT OPERATED PILOT CONTROL VALVE (OPTIONAL) ASSEMBLY PARTS LIST

Item No.	Description of Part	Total Qty	Part Number (CCN)	Item No.	Description of Part	Total Qty	Part Number (CCN)
96	Washer (Note 2)	4	71376370	347	Pin	1(2)	71146195
248	Gasket, Housing	1	K5B-547 (03885258)	354	Exhaust Poppet	1	23516 (71135628)
330	Valve Assembly:	1	PTV1 (71465827)	355	Plug	1	51897 (71112148)
	Standard			356	Spring	2	71138028
	-E Option			357	Inlet Poppet	2	23517 (71135636)
	Reverse Bias			358	Gasket	1	71264725
331	Valve Shaft	1	23522 (71135685)	359	Fitting, Elbow	1	71262299
332	Restrictor, Poppet	1	23523 (71135693)	360	'O' Ring	2	52662 (03930906)
333	Restrictor, Seat	1	23524 (71135701)	361	Poppet Seat	2	23518 (71135644)
334	'O' Ring	1	71137988	362	Retainer Ring	2	53833 (71149132)
335	Pin	2	71293179	363	'O' Ring	2	52573 (71138127)
336	Pin	2	71293161	366	Capscrew	4	71138069
337	Setscrew	1	71138093	367	Valve Cap	2	28433 (71386726)
338	Sleeve	1	23606 (71139398)	368	Capscrew	4	71138077
339	Valve Body	1	*	369	Adapter, Standard	1	23514 (71335602)
340	Gasket	2	23592 (71139257)		Adapter, -E Option		24373 (71265987)
341	Pin (Note 1)	1(2)	23594 (71139273)	370	Capscrew	4	52303 (71078026)
	Valve Assembly (Note 1)	1(2)		380	Washer (not shown)	4	51013 (03898632)
	'O' Ring (Note 1)	2(4)		381	Capscrew	1	53807 (71059570)
342	Manifold	1	382-31755 (71464044)	389	Elbow, Fitting	2	51714
343	Spring Clip	1	24793 (71299531)	713	'O' Ring	2	51768 (03989514)
344	Washer	1	50899 (71224794)	924	Washer	8	71271985
345	Capscrew	2	71261747	951	Capscrew	4	71431365
346	Gasket	1	382-31761 (71464168)				

* Item not sold separately. Order item 330.

Note 1: Refer to the following to determine Pin (347) and Valve Assembly (341) configuration requirements:

Winches without disc or automatic band brake use quantity of 2 Pins (347).

Winches with a single automatic brake (disc or drum band) (Valve Assembly 25439 or 25440) use quantity of 1 Pin (347) and 1 Valve Assembly (341).

Winches with disc and automatic band brakes (Valve Assemblies 25441 or 25468) use quantity of 2 Valve Assemblies (341).

Note 2: Quantity of 4 Washers (96) required to mount Adapter (369).

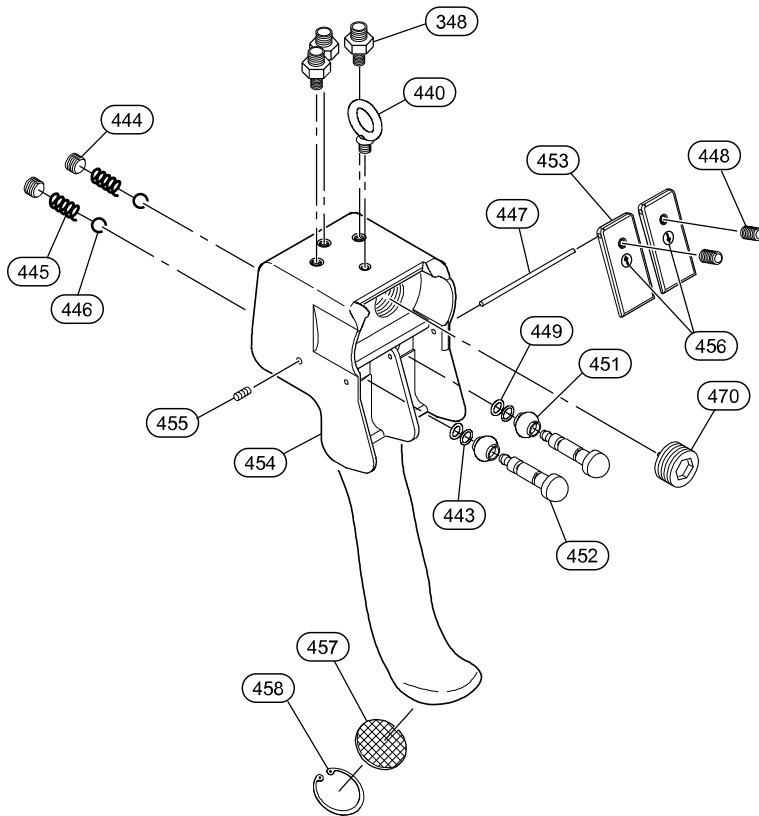
Additional Washer (96) quantities are 'As Required' to establish clearance tolerances described in "MAINTENANCE" section.

Pendant Operated Pilot Control Valve (Optional) Assembly Service Kit List:

Item No.	Description of Part	Total Qty	Part Number (CCN)
1022	Service Kit: PTV1 Control Valve (included in Overhaul Kits) (include items: 96, 248, 334, 336, 337, 340, 345, 346, 356, 358, 360, 363, 366, 368, 370, 381, 713, 924 and 951)	1	47528608001

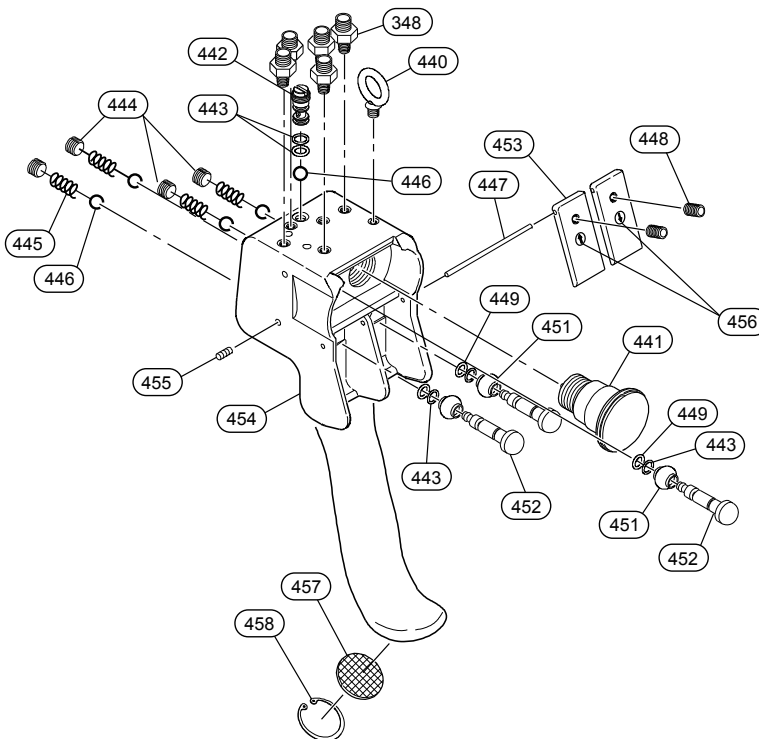
TWO LEVER REMOTE PENDANT (OPTIONAL) ASSEMBLY DRAWINGS

Pendant without Emergency Stop



(Dwg. MHP2346)

Pendant with Emergency Stop



(Dwg. MHP1677)

TWO LEVER REMOTE PENDANT (OPTIONAL) ASSEMBLY PARTS LIST

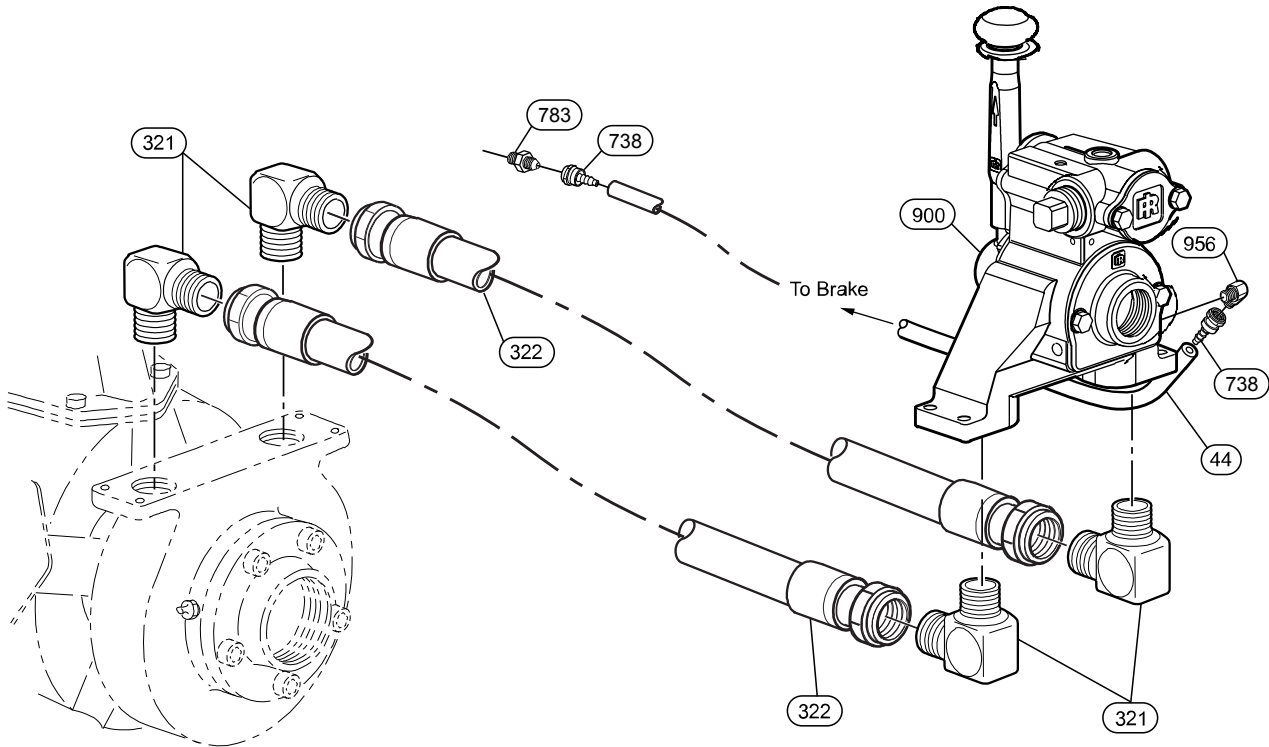
Item No.	Description of Part	Total Qty	Part Number (CCN)	
			Without E-Stop	With E-Stop
353	Pendant Assembly *	1	PHS2E (38559233)	PHS2E-U (38559258)
348	Fitting	3 (5)	71048268	
440	Lifting Eye	1	6422-2332 (38529160)	
441	Emergency Stop Valve	1	---	9579-0108 (38851180)
442	Valve	1		9579-0106 (38551198)
443	'O' Ring	2(5)	5820-9229 (38534517)	
444	Plug	2(4)	6510-7741 (38648143)	
445	Spring	2(4)	6912-8541 (38553889)	
446	Ball	2(5)	6940-1625 (38542924)	
447	Pin	1	9579-0040 (38538237)	
448	Setscrew	2	4200-8607 (38555546)	
449	'O' Ring	2(3)	5823-5329 (38550208)	
451	Protector	2(3)	9579-0107 (38554580)	
452	Valve	2(3)	9579-0104 (38550190)	
453	Lever	2	9579-0122 (38559100)	
454	Pendant Handle	1	order item 353	
455	Setscrew	3(5)	71078158	
456	Label Kit	1	9579-0111 (38554598)	
457	Exhaust Washer	1	6760-0303 (38535621)	
458	Retainer Ring	1	4771-3030 (38559373)	
470	Plug	1	6512-9541 (38559530)	---

* PHS2E includes items 440-449 and 451-458.
PHS2E-U includes items 440, 443-449, 451-458 and 470.

Two Lever Remote Pendant (Optional) Assembly Service Kit List:

Item No.	Description of Part	Total Qty	Part Number (CCN)
1023	Service Kit: PHS2-U Pendant (include items: 442-446, 449, 451 and 456)	1	7650-0142 (38781431)

FULL FLOW REMOTE CONTROL VALVE ASSEMBLY DRAWING AND PARTS LIST



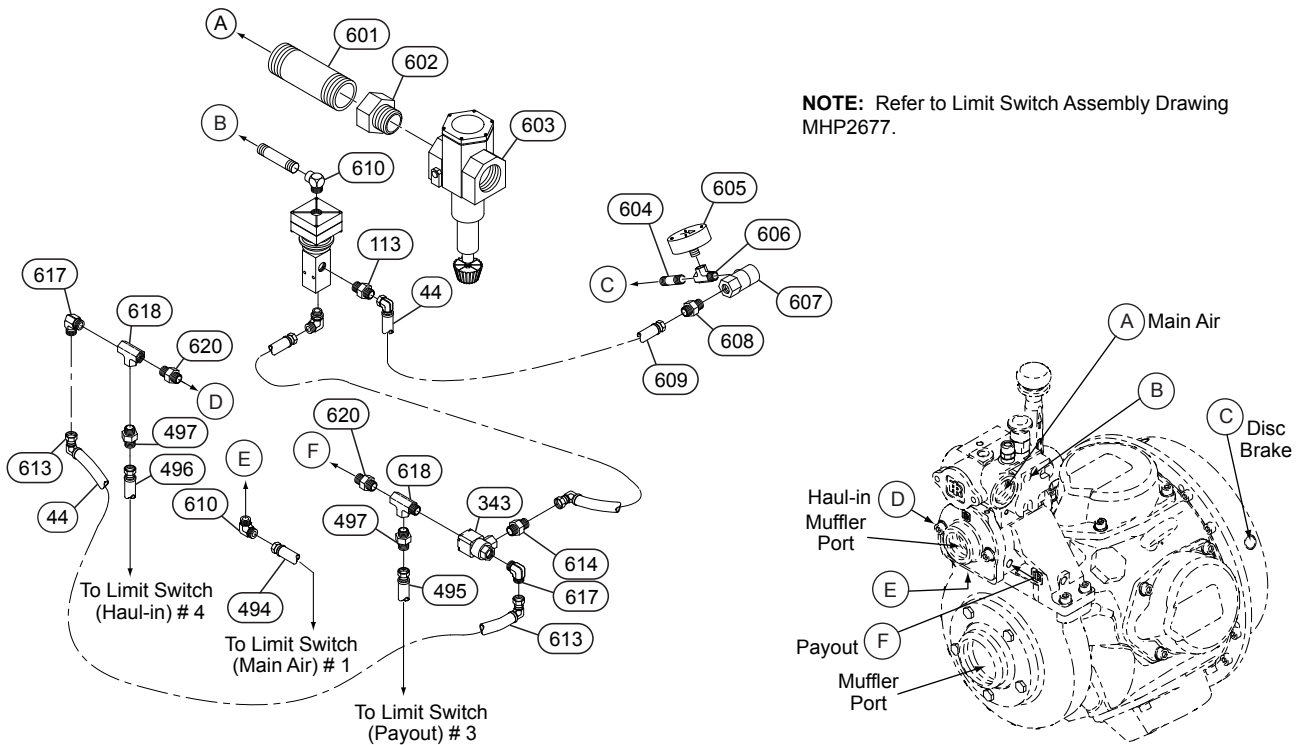
(Dwg. MHP2698)

Item No.	Description of Part	Total Qty	Part Number (CCN)
900	Control Valve Assembly	1	K5C2-X (71382295)
44	Hose (bulk)	As Req'd	50923 (03990215)
321	Fitting, Elbow	4	54270 (71075915)
322	Hose Assembly	2	47533155001
738	Fitting	2	51029 (03990298)
783	Fitting	1	20770 (71121784)
956	Fitting, Elbow	1	71367932

Note 1: Requires special tool to install fittings into hose ends.

Note 2: Maximum hose length of 20 ft.

K5C2-EXLP/MRCE CONNECTION ASSEMBLY DRAWING AND PARTS LIST

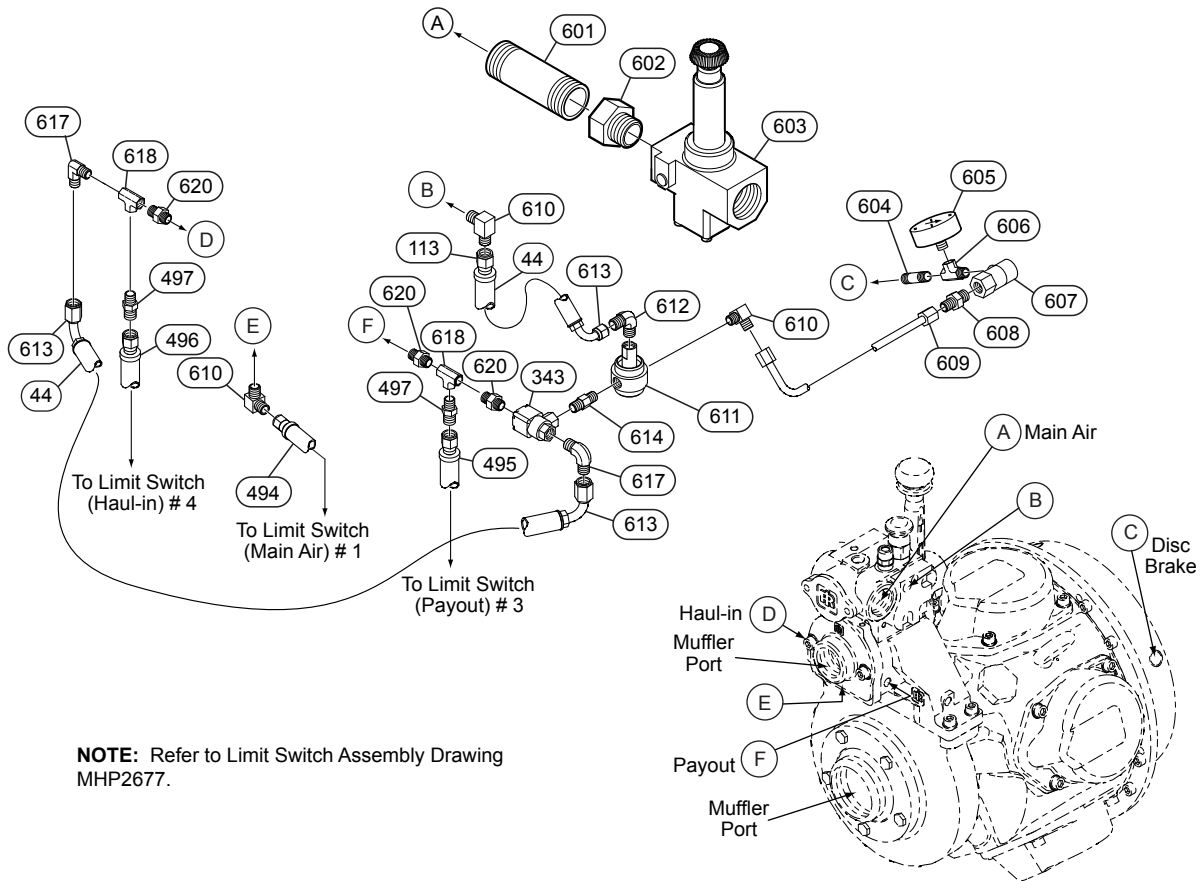


(Dwg. MHP3402)

Item No.	Description of Part	Total Qty	Part Number (CCN)	Item No.	Description of Part	Total Qty	Part Number (CCN)
44	Hose	AR	50923 (03990215)	607	Dump Valve	1	50276 (71025704)
113	Fitting	3	51029 (03990298)	608	Fitting, Vented	1	20770 (71121784)
343	Shuttle Valve	1	50277 (03969466)		Fitting (tee fitting)	1	45937638
494	Hose Assembly	1	382-31423-8 (71457428)	609	Disc Brake Tubing Kit	1	382-31888 (71467369)
495	Hose Assembly	1	382-31423-10 (71457444)	610	Fitting	3	51281 (03895687)
496	Hose Assembly	1	382-31423-9 (71457436)	611	Valve	1	51756 (03895703)
497	Fitting	2	51814 (03980752)	612	Fitting, Vented (angled)	1	382-31767 (71464440)
499	Capscrew *	2	71324115	613	Fitting	6	52179 (03895729)
601	Fitting, Pipe	1	51810 (71226427)	614	Fitting	1	54679 (360)
602	Bushing, Pipe	1	51706 (71086409)	617	Fitting, Hose	2	52182 (03989431)
603	Regulator	1	382-34317 (45896693)	618	Fitting, Tee	2	71367916
604	Fitting, Nipple	1	50859 (71063655)	620	Fitting	3	54274 (71086425)
605	Pressure Gauge	1	43806249	621	PVC Pipe, 1/2 in. *	3	71387054
606	Fitting, Tee	1	71063374	622	Loop Strap *	2	71459069

* Item not illustrated, used for bundling hoses to siderail.

K5C2-MRCE CONNECTION ASSEMBLY DRAWING AND PARTS LIST (OLD STYLE)



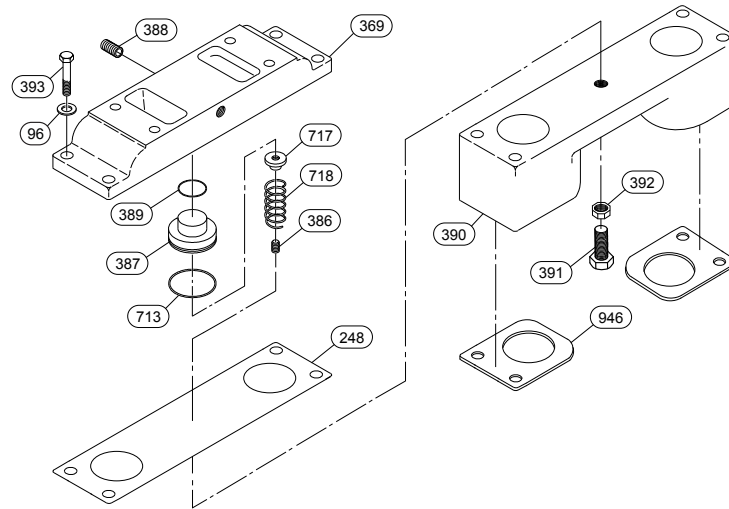
NOTE: Refer to Limit Switch Assembly Drawing MHP2677.

(Dwg. MHP3070)

Item No.	Description of Part	Total Qty	Part Number (CCN)	Item No.	Description of Part	Total Qty	Part Number (CCN)
44	Hose	As Req'd	50923 (03990215)	607	Dump Valve	1	50276 (71025704)
113	Fitting	3	51029 (03990298)	608	Fitting, Vented	1	20770 (71121784)
343	Shuttle Valve	1	50277 (03969466)		Fitting (tee fitting)	1	45937638
494	Hose Assembly	1	382-31423-8 (71457428)	609	Disc Brake Tubing Kit	1	382-31888 (71467369)
495	Hose Assembly	1	382-31423-10 (71457444)	610	Fitting	3	51281 (03895687)
496	Hose Assembly	1	382-31423-9 (71457436)	611	Valve	1	51756 (03895703)
497	Fitting	2	51814 (03980752)	612	Fitting, Vented (angled)	1	382-31767 (71464440)
499	Capscrew *	2	71324115	613	Fitting	6	52179 (03895729)
601	Fitting, Pipe	1	51810 (71226427)	614	Fitting	1	54679
602	Bushing, Pipe	1	51706 (71086409)	617	Fitting, Hose	2	52182 (03989431)
603	Regulator	1	382-34317 (45896693)	618	Fitting, Tee	2	71367916
604	Fitting, Nipple	1	50859 (71063655)	620	Fitting	3	54274 (71086425)
605	Pressure Gauge	1	43806249	621	PVC Pipe, 1/2 in. *	3	71387054
606	Fitting, Tee	1	71063374	622	Loop Strap *	2	71459069

* Item not illustrated, used for bundling hoses to siderail.

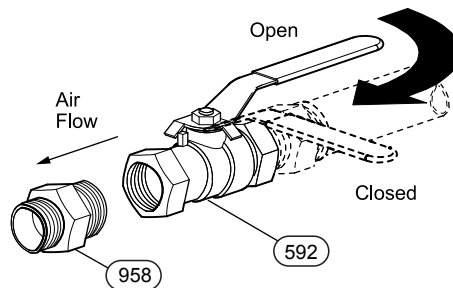
PENDANT OPERATED OVERLOAD (OPTIONAL) ASSEMBLY DRAWING AND PARTS LIST



(Dwg. MHP3640)

Item No.	Description of Part	Total Qty	Part Number (CCN)	Item No.	Description of Part	Total Qty	Part Number (CCN)
96	Washer	4	71376370	391	Adjustment Screw	1	45989571
248	Gasket, Housing	1	K5B-547 (03885258)	392	Nut	1	45989563
369	Adapter	1	24373 (71265987)	393	Capscrew	4	45989803
386	Setscrew	1	71266589	713	'O' Ring	2	51768 (03989514)
387	Piston	1	24372 (71265979)	717	Adjustment Nut	1	28929 (71398861)
388	Plug, Orifice	1	382-31313 (71454359)	718	Spring	1	
389	'O' Ring	1	50557 (03990082)	946	Gasket	2	27115 (71351936)
390	Adjustment Adapter	1	382-37733 (45989555)				

SHUT-OFF VALVE ASSEMBLY DRAWING AND PARTS LIST

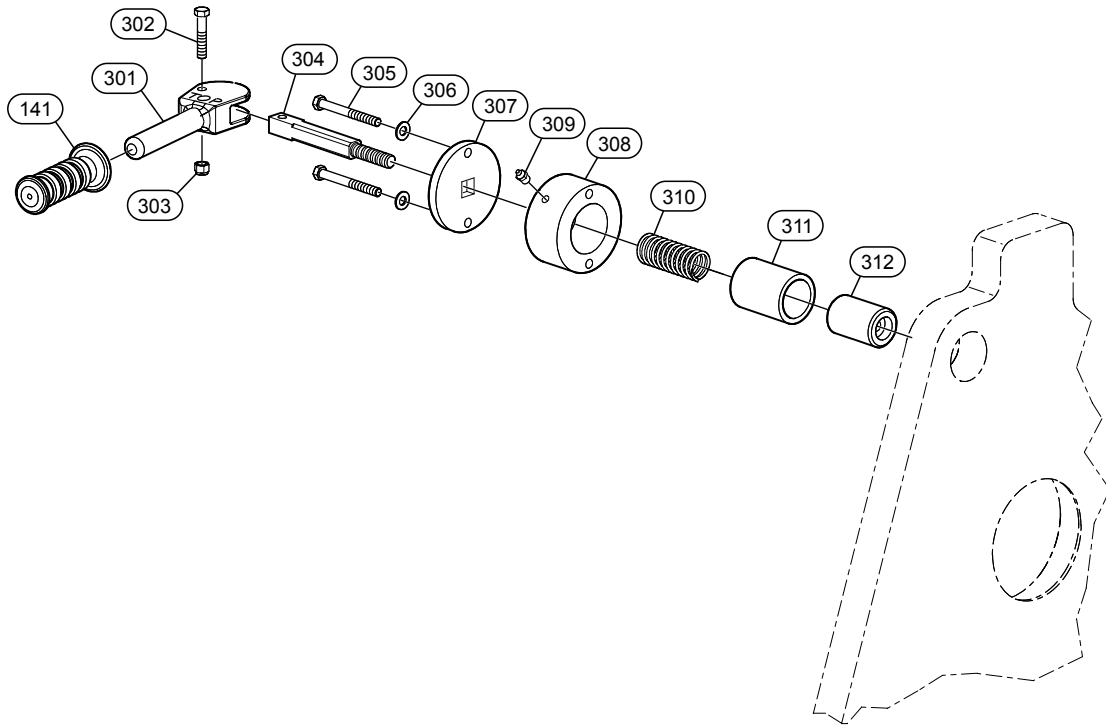


(Dwg. MHP2958)

Item No.	Description of Part	Total Qty	Part Number (CCN)	Item No.	Description of Part	Total Qty	Part Number (CCN)
592	Valve, Shut-off	1	71416911	958	Fitting, Nipple	1	71311252

Note: Shut-off valve assembly is supplied unattached to product. Refer to Product Information Manual for installation.

DRUM LOCKING PIN (OPTIONAL) ASSEMBLY DRAWING AND PARTS LIST



(Dwg. MHP2675)

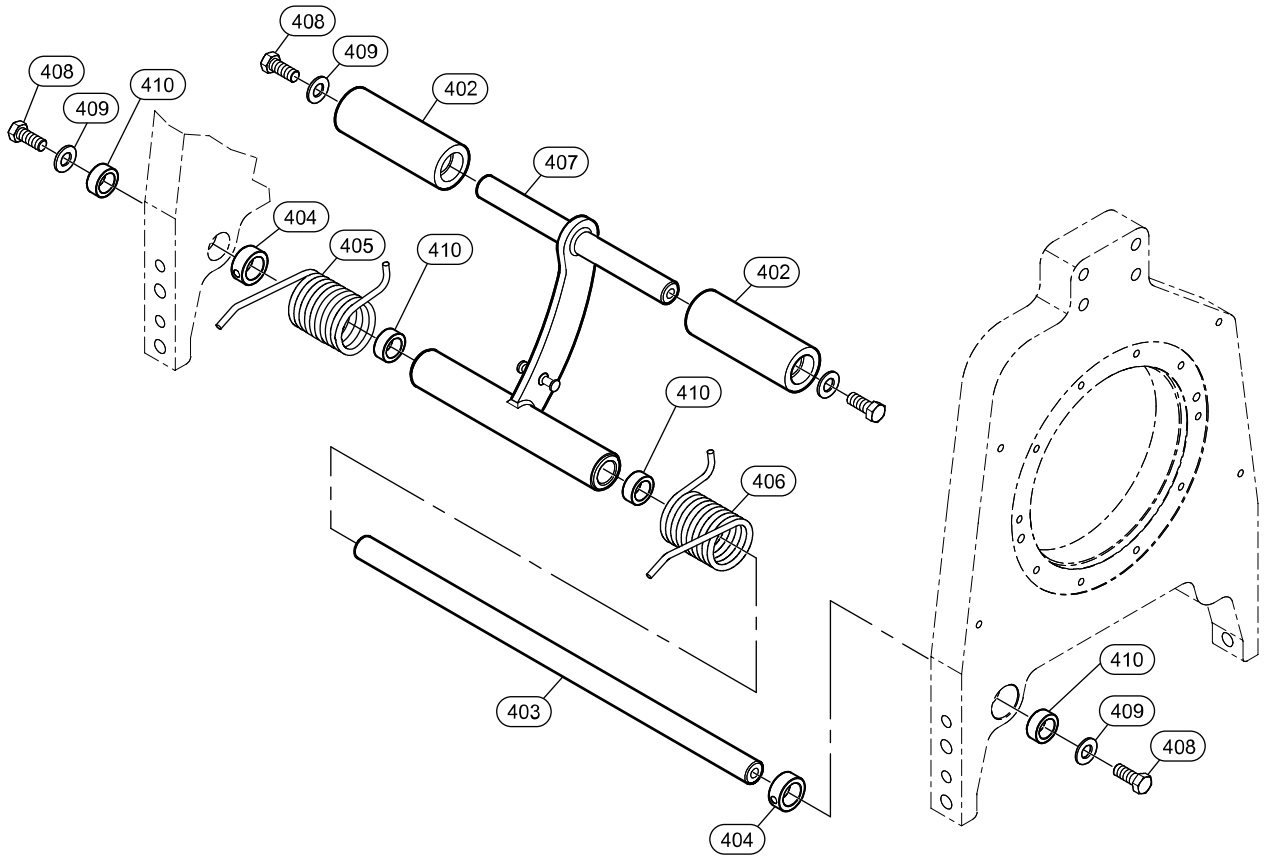
Item No.	Description of Part	Total Qty	Part Number (CCN)	
			FA2.5i	FA5i/FA5Ti
300	Drum Locking Assembly	1	382-30722-S	382-30723-S (45895943)
141	Handle Grip	1	71436851	
301	Handle	1	382-30639 (71435721)	
302	Capscrew	1	71445654	
303	Locknut	1	71069132	
304	Shaft	1	382-30705 (71436521)	
305	Capscrew	2	71328744	
306	Washer	2	51833 (71127492)	
307	Cover	1	382-30704 (71436513)	
308	Housing	1	382-30558 (71434237)	
309	Grease Fitting	1	71111942	
310	Spring	1	71436869	
311	Bushing	1	382-31657 (71462121)	
312	Drum Lock Pin	1	382-30633 (71435663)	382-30706 (71436539)

Note: Not available for Man Rider applications.

Drum Locking Pin (Optional) Assembly Service Kit List:

Item No.	Description of Part	Total Qty	Part Number (CCN)
1024	Conversion Kit: Drum Locking Assembly (include items: 141, 301-312)	1	382-30723-S (45895943)
1025	Service Kit: FA2.5i Drum Locking Assembly (include items: 305, 306 and 311)	1	47539676001

PRESS ROLLER ASSEMBLY (OPTIONAL) DRAWING AND PARTS LIST



(Dwg. MHP2695)

FA2.5i

Item No.	Description of Part	Total Qty	Part Number (CCN)					
			12" w/o Band Brake	12" w/ Band Brake	16" w/o Band Brake	16" w/ Band Brake	20" w/o Band Brake	20" w/ Band Brake
400	Press Roller Assembly	1	382-31043-2-CK	382-31043-2B-CK	Contact Factory			
402	Roller	2	382-30962-2 (71445746)					
403	Roller Shaft	1	382-31044-2 (71445860)					
407	Arm	1	382-30966-2 (71445779)					
Item No.	Description of Part	Total Qty	Part Number (CCN)					
			24" w/o Band Brake	24" w/ Band Brake	30" w/o Band Brake	30" w/ Band Brake	36" w/o Band Brake	36" w/ Band Brake
400	Press Roller Assembly	1	382-31043-5-CK (45917903)	382-31043-5B-CK (45914777)	Contact Factory			
402	Roller	2		382-30962-5 (71443899)				
403	Roller Shaft	1	382-31044-2B (71445878)	382-31044-5B (71445894)				
407	Arm	1		382-30966-5 (71443915)				

PRESS ROLLER ASSEMBLY (OPTIONAL) PARTS LIST (CONTINUED)

FA5i/Ti

Item No.	Description of Part	Total Qty	Part Number (CCN)					
			12" w/o Band Brake	12" w/ Band Brake	16" w/o Band Brake	16" w/ Band Brake	20" w/o Band Brake	20" w/ Band Brake
400	Press Roller Assembly	1	382-30961-2-CK	382-30961-2B-CK	382-30961-3-CK (45924198)	382-30961-3B-CK	382-30961-4-CK	382-30961-4B-CK
402	Roller	2	382-30966-2 (71445779)		382-30966-3 (71443907)		Contact Factory	
403	Roller Shaft	1	382-30970-2 (71445787)	382-30970-2B (71445795)	382-30970-3 (71443931)	382-30970-3B (71443949)		
407	Arm	1	382-31263-2 (71455703)		382-31263-3 (71455711)			
Item No.	Description of Part	Total Qty	Part Number (CCN)					
			24" w/o Band Brake	24" w/ Band Brake	30" w/o Band Brake	30" w/ Band Brake	36" w/o Band Brake	36" w/ Band Brake
400	Press Roller Assembly	1	382-30961-5-CK (45917911)	382-30961-5B-CK	Contact Factory			
402	Roller	2	382-30966-5 (71443915)					
403	Roller Shaft	1	382-30970-5 (71443956)	382-30970-5B (71443964)				
407	Arm	1	382-31263-5 (71450498)					

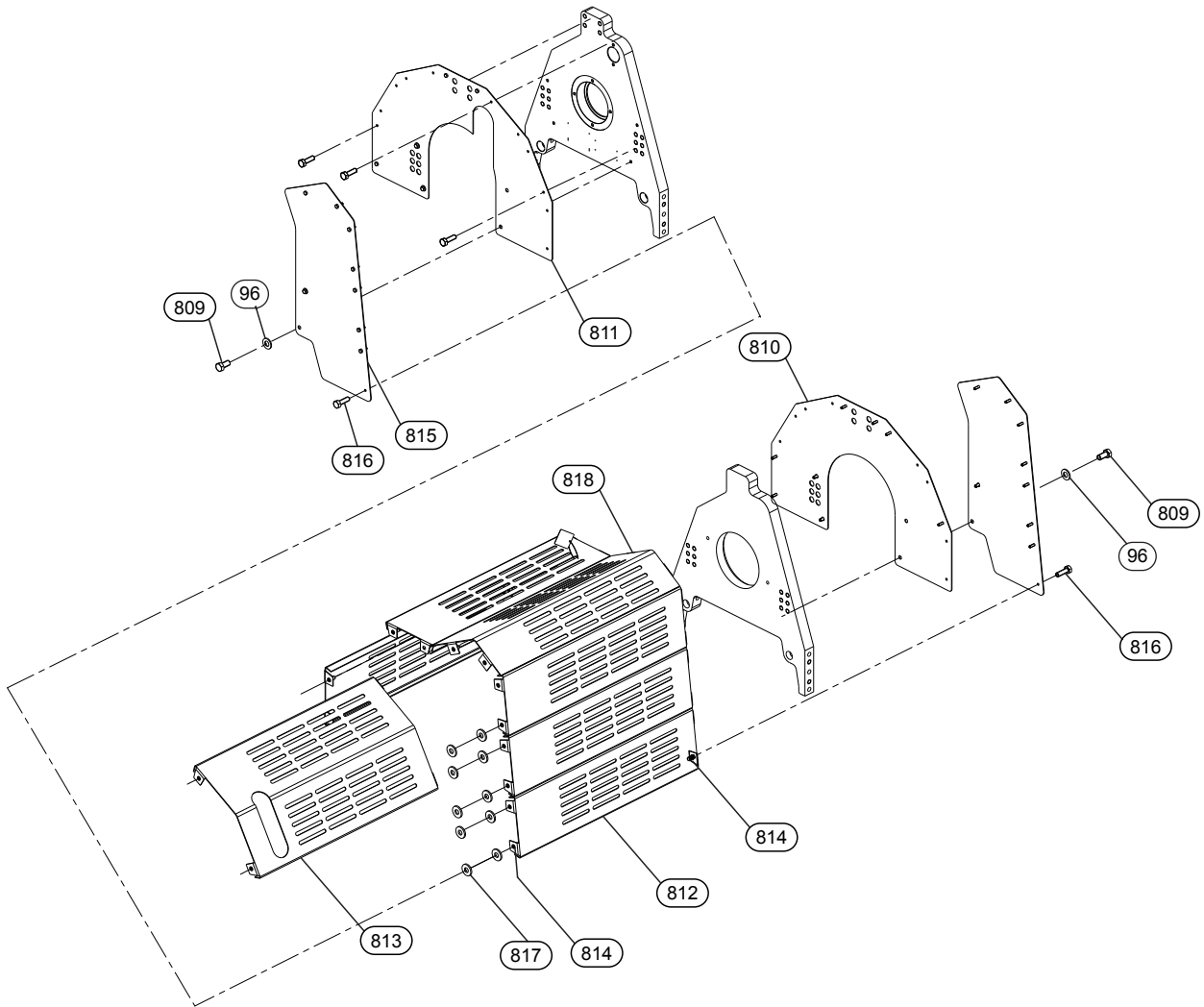
FA2.5i and FA5i/Ti Common Parts

Item No.	Description of Part	Total Qty	Part Number (CCN)
404	Shaft Collar	2	71443980
405	Spring, Left Side	1	382-30968 (71443824)
406	Spring, Right Side	1	382-30969 (71443832)
408	Capscrew	4	71371652
409	Washer	4	51009 (03898624)
410	Bushing	2	71443816

Press Roller Assembly (Optional) Kit List:

Item No.	Description of Part	Total Qty	Part Number (CCN)
1026	Press Roller Conversion Kits: FA5i/5Ti(include items: 408-410)	1	will depend on Press Roller
1027	Service Kit: FA2i/2.5i Press Rollers (include items: 402, 404-406, 408-410 and 412)	1	For 12 inch Drum (47540213001)
1028	Service Kit: FA2i/2.5i Press Rollers (include items: 402, 404-406, 408-410 and 412)	1	For 24 inch Drum (47540201001)
1029	Replacement Kit: FA2i/2.5i Press Rollers (include items: 408-410)	1	For 12 inch Drum with Band Brake - 382-31043-2B-S (71471916)
1030	Replacement Kit: FA2i/2.5i Press Rollers (include items: 408-410)	1	For 12 inch Drum without Band Brake (47540209001)
1031	Replacement Kit: FA2i/2.5i Press Rollers (include items: 408-410)	1	For 24 inch Drum with Band Brake - 382-31043-5B-CK (45914777)
1032	Replacement Kit: FA2i/2.5i Press Rollers (include items: 408-410)	1	For 24 inch Drum without Band Brake - 382-31043-5-CK (45917903)

FA51 DRUM GUARD ASSEMBLY DRAWING



(Dwg. MHP3391)

FA5I DRUM GUARD ASSEMBLY PARTS LIST

Item No.	Description of Part	Total Qty	Part Number (CCN)					
			12 in. Drum	16 in. Drum	20 in. Drum	24 in. Drum	30 in. Drum	36 in. Drum
---	Guard Assembly w/o Band Brake w/o Drum Lock	1	382-37526-2-S (45983277)	382-37526-3-S (45983335)	382-37526-4-S (45983392)	382-37526-5-S (45983459)	382-37526-6-S (45983517)	382-37526-7-S (45983574)
	Guard Assembly w/o Band Brake w/ Drum Lock		382-37526-2L-S (45983301)	382-37526-3L-S (45983368)	382-37526-4L-S (45983426)	382-37526-5L-S (45983483)	382-37526-6L-S (45983541)	382-37526-7L-S (45983608)
	Guard Assembly w/ Manual Band Brake w/o Drum Lock *		382-37526-2B-S (45983285)	382-37526-3B-S (45983343)	382-37526-4B-S (45983400)	382-37526-5B-S (45983467)	382-37526-6B-S (45983525)	382-37526-7B-S (45983582)
	Guard Assembly w/ Manual Band Brake w/ Drum Lock		382-37526-2BL-S (45983293)	382-37526-3BL-S (45983350)	382-37526-4BL-S (45983418)	382-37526-5BL-S (45983475)	382-37526-6BL-S (45983533)	382-37526-7BL-S (45983590)
	Guard Assembly w/Auto Band Brake w/o Drum Lock *		382-37526-2AB-S (45983319)	382-37526-3AB-S (45983376)	382-37526-4AB-S (45983434)	382-37526-5AB-S (45983491)	382-37526-6AB-S (45983558)	382-37526-7AB-S (45983616)
	Guard Assembly w/ Auto Band Brake w/ Drum Lock		382-37526-2ABL-S (45983327)	382-37526-3ABL-S (45983384)	382-37526-4ABL-S (45983442)	382-37526-5ABL-S (45983509)	382-37526-6ABL-S (45983566)	382-37526-7ABL-S (45983624)
810	Frame w/o Band Brake w/o Drum Lock	2	382-37340-2 (45971298)					
810	Frame w/o Band Brake w/ Drum Lock	1	382-37340-2 (45971298)					
811		1	382-37340-1 (45974029)					
810	Frame w/ Auto Band Brake w/o Drum Lock *	2	382-37340-2 (45971298)					
815		2	382-37394 (45973724)					
810	Frame w/ Auto Band Brake w/ Drum lock	1	382-37340-2 (45971298)					
811		1	382-37340-1 (45974029)					
815		2	382-37394 (45973724)					
813	Panel w/ Manual Band Brake	1	382-37384-2-S (45982790)	382-37384-3-S (45982832)	382-37384-4-S (45982881)	382-37384-5-S (45982923)	382-37384-6-S (45983038)	382-37384-7-S (45983079)
814	Panel, Standard (Note 1)	1	382-37376-2-S (45982774)	382-37376-3-S (45982816)	382-37376-4-S (45982865)	382-37376-5-S (45982907)	382-37376-6-S (45983012)	382-37376-7-S (45983053)
818	Panel w/ Auto Band Brake	1	382-37393-2B-S (45982782)	382-37393-3B-S (45982824)	382-37393-4B-S (45982873)	382-37393-5B-S (45982915)	382-37393-6B-S (45983020)	382-37393-7B-S (45983061)
	Panel w/ Auto and Manual Band Brake	1	382-37395-2-S (45982808)	382-37395-3-S (45982840)	382-37395-4-S (45982899)	382-37395-5-S (45982931)	382-37395-6-S (45983046)	382-37395-7-S (45983087)
816	Capscrew	28	45979069					
817	Washer	12	45979812					
809	Capscrew	8	71445407					
96	Washer	8	71376370					

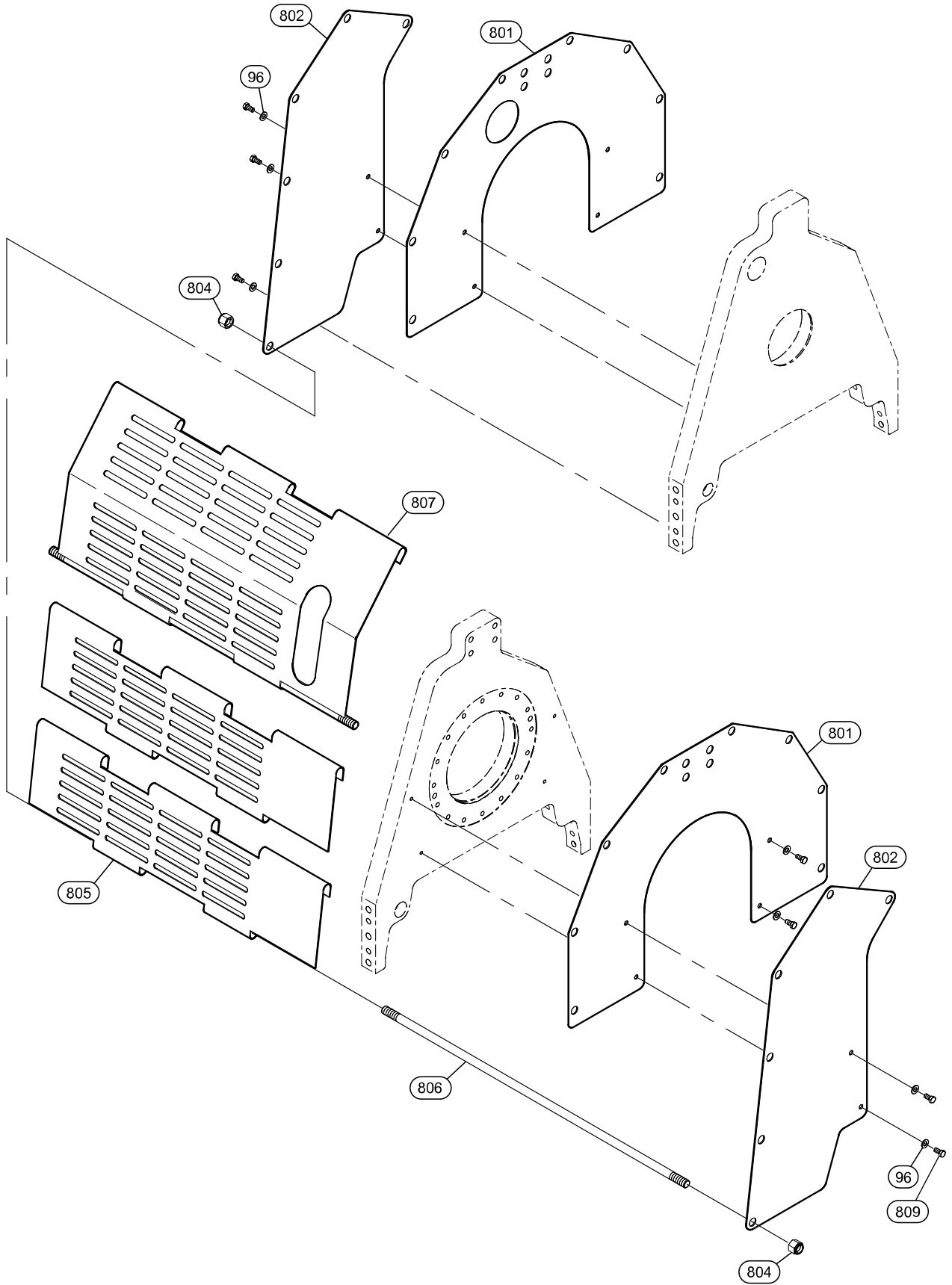
* Man Rider application requires a band brake and no drum lock.

Note 1: Item (5) panel qty does not reflect qty require per unit for standard unit, no manual or auto band brake.

FA5i Drum Guard Assembly Kit List:

Item No.	Description of Part	Total Qty	Part Number (CCN)
1033	Drum Guard Assembly Kits (include items: A, B, 816, 817, 809 and 96)	1	Will depend on guarding size

DRUM GUARD ASSEMBLY DRAWING



(Dwg. MHP2676)

DRUM GUARD ASSEMBLY PARTS LIST

FA 2.5i Drum Guard

Item No.	Description of Part	Total Qty	Part Number (CCN)					
			8 in. drum	12 in. drum	16 in. drum	20 in. drum	24 in. drum	30 in. drum
---	Guard Assembly w/o Band Brake w/o Drum Lock	1	382-31122-1-CK (71452882)	382-31122-2-CK (71447551)	382-31122-3-CK (71447619)	382-31122-4-CK (71452981)	382-31122-5-CK (71447643)	382-31122-6-CK (71453047)
	Guard Assembly w/o Band Brake w/ Drum Lock		382-31122-1L-CK (71452890)	382-31122-2L-CK (71447585)	382-31122-3L-CK (71452957)	382-31122-4L-CK (71452999)	382-31122-5L-CK (71447676)	382-31122-6L-CK (71453054)
	Guard Assembly w/ Manual Band Brake w/o Drum Lock *		382-31122-1B-CK (71452908)	382-31122-2B-CK (71447569)	382-31122-3B-CK (71447627)	382-31122-4B-CK (71453005)	382-31122-5B-CK (71447650)	382-31122-6B-CK (71453062)
	Guard Assembly w/ Manual Band Brake w/ Drum Lock		382-31122-1BL-CK (71452916)	382-31122-2BL-CK (71447593)	382-31122-3BL-CK (71452965)	382-31122-4BL-CK (71453013)	382-31122-5BL-CK (71447684)	382-31122-6BL-CK (71453070)
	Guard Assembly w/Auto Band Brake w/o Drum Lock *		382-31122-1AB-CK (71452924)	382-31122-2AB-CK (71447577)	382-31122-3AB-CK (71447635)	382-31122-4AB-CK (71453021)	382-31122-5AB-CK (71447668)	382-31122-6AB-CK (71453088)
	Guard Assembly w/ Auto Band Brake w/ Drum Lock		382-31122-1ABL-CK (71452932)	382-31122-2ABL-CK (71447601)	382-31122-3ABL-CK (71452973)	382-31122-4ABL-CK (71453039)	382-31122-5ABL-CK (71447692)	382-31122-6ABL-CK (71453096)
801	Frame w/o Band Brake w/o Drum Lock	2	382-31123 (71447700)					
	Frame w/o Band Brake w/ Drum Lock	1	382-31123 (71447700)					
	Frame w/ Manual Band Brake w/o Drum Lock *	1	382-31123-L (71447718)					
	Frame w/ Manual Band Brake w/ Drum Lock	2	328-31123 (71447700)					
		1	382-31123 (71447700)					
	1	382-31123-L (71447718)						
801	Frame w/ Auto Band Brake w/o Drum Lock *	2	382-31123 (71447700)					
802		2	382-31124 (71447726)					
801	Frame w/ Auto Band Brake w/ Drum Lock	1	382-31123 (71447700)					
		1	382-31123-L (71447718)					
802		2	382-31124 (71447726)					
805	Panel w/o Band Brake w/o Drum Lock	5	382-31125-1 (71447742)	382-31125-2 (71447767)	382-31125-3 (71447783)	382-31125-4 (71447809)	382-31125-5 (71447825)	382-31125-6 (71447841)
	Panel w/o Band Brake w/ Drum Lock	4						
805	Panel w/ Manual Band Brake w/o Drum Lock *	2	382-31125-1B (71447759)	382-31125-2B (71447775)	382-31125-3B (71447791)	382-31125-4B (71447817)	382-31125-5B (71447833)	382-31125-6B (71447858)
		1	382-31127-1 (71447940)	382-31127-2 (71447957)	382-31127-3 (71447965)	382-31127-4 (71447973)	382-31127-5 (71447981)	382-31127-6 (71447999)
805	Panel w/ Manual Band Brake w/ Drum Lock	2	382-31125-1B (71447759)	382-31125-2B (71447775)	382-31125-3B (71447791)	382-31125-4B (71447817)	382-31125-5B (71447833)	382-31125-6B (71447858)
		1	382-31127-1 (71447940)	382-31127-2 (71447957)	382-31127-3 (71447965)	382-31127-4 (71447973)	382-31127-5 (71447981)	382-31127-6 (71447999)
805	Panel w/ Auto Band Brake w/o Drum Lock *	5	382-31125-1B (71447759)	382-31125-2B (71447775)	382-31125-3B (71447791)	382-31125-4B (71447817)	382-31125-5B (71447833)	382-31125-6B (71447858)
		5	382-31125-1BL	382-31125-2BL	382-31125-3BL	382-31125-4BL	382-31125-5BL	382-31125-6BL
806	Crossbar w/o Band Brake	6	382-31126-1 (43809599)	382-31126-2 (71447874)	382-31126-3 (71447890)	382-31126-4 (43803329)	382-31126-5 (71447916)	382-31126-6
	Crossbar w/ Manual Band Brake	5	382-31126-1B (45902400)	382-31126-2B (71447882)	382-31126-3B (71447908)	382-31126-4B (43804046)	382-31126-5B (71447924)	382-31126-6B
	Crossbar w/ Auto Band Brake	7						
804	Locknut w/o Band Brake	12	71445415					
	Locknut w/ Manual Band Brake	10						
	Locknut w/ Auto Band Brake	14						
96	Washer	8	71376370					
809	Capscrew	8	71445407					

* Man Rider application requires a band brake and no drum lock.

DRUM GUARD ASSEMBLY PARTS LIST (CONTINUED)

FA5i Old Style Drum Guard

Item No.	Description of Part	Total Qty	Part Number (CCN)					
			12 in. Drum	16 in. Drum	20 in. Drum	24 in. Drum	30 in. Drum	36 in. Drum
---	Guard Assembly w/o Band Brake w/o Drum Lock	1	Refer to new drum guard pages for full kits.					
	Guard Assembly w/o Band Brake w/ Drum Lock							
	Guard Assembly w/ Manual Band Brake w/o Drum Lock *							
	Guard Assembly w/ Manual Band Brake w/ Drum Lock							
	Guard Assembly w/Auto Band Brake w/o Drum Lock *							
	Guard Assembly w/ Auto Band Brake w/ Drum Lock							
801	Frame w/o Band Brake w/o Drum Lock	2	382-30774 (71438923)					
	Frame w/o Band Brake w/ Drum Lock	1	382-30774-1 (71443436)					
		1	382-30774 (71438923)					
	Frame w/ Manual Band Brake w/o Drum Lock *	2	382-30774 (71438923)					
	Frame w/ Manual Band Brake w/ Drum Lock	1	382-30774 (71438923)					
		1	382-30774-1 (71443436)					
801	Frame w/ Auto Band Brake w/o Drum Lock *	2	382-30774 (71438923)					
802		1	382-30953 (71443444)					
801	Frame w/ Auto Band Brake w/ Drum lock	1	382-30774 (71438923)					
		1	382-30774-1 (71443436)					
802		2	382-30953 (71443444)					
805	Panel w/o Band Brake w/o Drum Lock	5	382-31011-2 (71444848)	382-31011-3 (71444863)	382-31011-4 (71444889)	382-31011-5 (71444905)	382-31011-6 (71444921)	382-31011-7 (71444947)
	Panel w/o Band Brake w/ Drum Lock							
805	Panel w/ Manual Band Brake w/o Drum Lock *	3	382-31011-2B (71444855)	382-31011-3B (71444871)	382-31011-4B (71444897)	382-31011-5B (71444913)	382-31011-6B (71444939)	382-31011-7B (71444954)
		807	1	382-31012-2	382-31012-3	382-31012-4	382-31012-5	382-31012-6
805	Panel w/ Manual Band Brake w/ Drum Lock	3	382-31011-2B (71444855)	382-31011-3B (71444871)	382-31011-4B (71444897)	382-31011-5B (71444913)	382-31011-6B (71444939)	382-31011-7B (71444954)
		807	1	382-31012-2	382-31012-3	382-31012-4	382-31012-5	382-31012-6
805	Panel w/ Auto Band Brake w/o Drum Lock *	7	382-31011-2B (71444855)	382-31011-3B (71444871)	382-31011-4B (71444897)	382-31011-5B (71444913)	382-31011-6B (71444939)	382-31011-7B (71444954)
	Panel w/ Auto Band Brake w/ Drum Lock	7	382-31011-2B (71444855)	382-31011-3B (71444871)	382-31011-4B (71444897)	382-31011-5B (71444913)	382-31011-6B (71444939)	382-31011-7B (71444954)
806	Crossbar w/o Band Brake	7	382-30982-2 (71460125)	382-30982-3 (71444335)	382-30982-4 (45879152)	382-30982-5 (71444343)	382-30982-6 (45884467)	382-30982-7 (45900388)
	Crossbar w/ Manual Band Brake	7	382-30982-2B (71471833)	382-30982-3B (71444319)	382-30982-4B (45875739)	382-30982-5B (71444327)	382-30982-6B (43800598)	382-30982-7B (71470785)
	Crossbar w/ Auto Band Brake	9						
804	Locknut w/o Band Brake	14	71445415					
	Locknut w/ Manual Band Brake	14						
	Locknut w/ Auto Band Brake	18						
96	Washer	12	71376370					
809	Capscrew	12	71445407					

* Man Rider application requires a band brake and no drum lock.

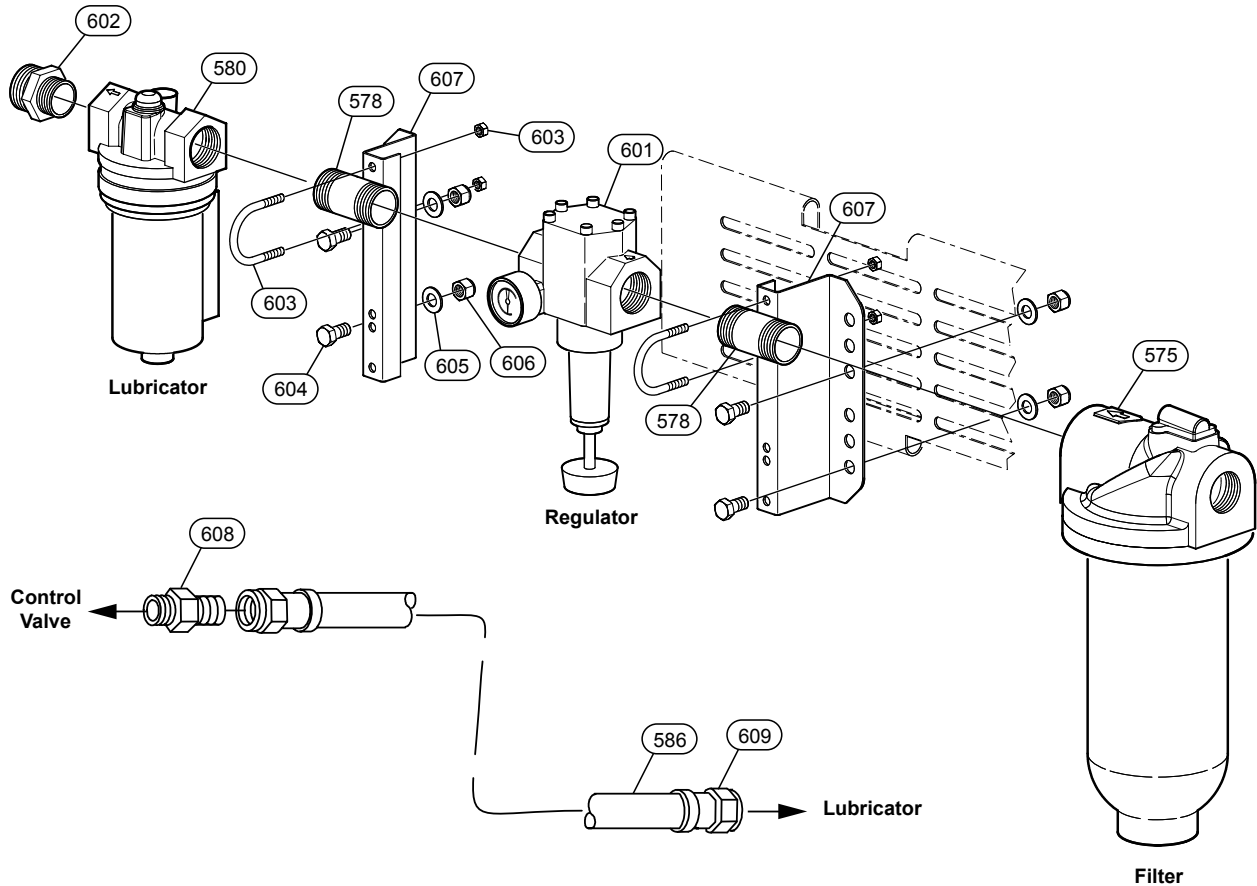
DRUM GUARD ASSEMBLY PARTS LIST (CONTINUED)

FASTi Drum Guard

Item No.	Description of Part	Total Qty	Part Number (CCN)					
			12 in. Drum	16 in. Drum	20 in. Drum	24 in. Drum	30 in. Drum	36 in. Drum
---	Guard Assembly w/o Band Brake w/o Drum Lock	1	382-31209-2-CK (71453492)	382-31209-3-CK (71453617)	382-31209-4-CK (71453732)	382-31209-5-CK (45919792)	382-31209-6-CK (71453971)	382-31209-7-CK (71454094)
	Guard Assembly w/o Band Brake w/ Drum Lock		382-31209-2L-CK (71453500)	382-31209-3L-CK (71453625)	382-31209-4L-CK (71453740)	382-31209-5L-CK (71453864)	382-31209-6L-CK (71453989)	382-31209-7L-CK (71454102)
	Guard Assembly w/ Manual Band Brake w/o Drum Lock *		382-31209-2B-CK (71453534)	382-31209-3B-CK (71453658)	382-31209-4B-CK (71453773)	382-31209-5B-CK (71453898)	382-31209-6B-CK (71454011)	382-31209-7B-CK (71454136)
	Guard Assembly w/ Manual Band Brake w/ Drum Lock		382-31209-2BL-CK (71453542)	382-31209-3BL-CK (71453666)	382-31209-4BL-CK (71453781)	382-31209-5BL-CK (71449623)	382-31209-6BL-CK (71454029)	382-31209-7BL-CK (71454144)
	Guard Assembly w/Auto Band Brake w/o Drum Lock *		382-31209-2AB-CK (71453575)	382-31209-3AB-CK (71453690)	382-31209-4AB-CK (71453815)	382-31209-5AB-CK (71453930)	382-31209-6AB-CK (71454052)	382-31209-7AB-CK (71454177)
	Guard Assembly w/ Auto Band Brake w/ Drum Lock		382-31209-2ABL-CK (71453583)	382-31209-3ABL-CK (71453708)	382-31209-4ABL-CK (71453823)	382-31209-5ABL-CK (71453948)	382-31209-6ABL-CK (71454060)	382-31209-7ABL-CK (71454185)
801	Frame w/o Band Brake w/o Drum Lock	2	382-31208 (71449607)					
	Frame w/o Band Brake w/ Drum Lock	1	382-31208 (71449607)					
		1	382-31208-1 (71457295)					
	Frame w/ Manual Band Brake w/o Drum Lock *	2	382-31208 (71449607)					
	Frame w/ Manual Band Brake w/ Drum Lock	1	382-31208 (71449607)					
1		382-31208-1 (71457295)						
801	Frame w/ Auto Band Brake w/o Drum Lock *	---	---					
802								
801	Frame w/ Auto Band Brake w/ Drum Lock	---	---					
805	Panel w/o Band Brake w/o Drum Lock	6	382-31011-2 (71444848)	382-31011-3 (71444863)	382-31011-4 (71444889)	382-31011-5 (71444905)	382-31011-6 (71444921)	382-31011-7 (71444947)
	Panel w/o Band Brake w/ Drum Lock							
805	Panel w/ Manual Band Brake w/o Drum Lock *	4	382-31011-2B (71444855)	382-31011-3B (71444871)	382-31011-4B (71444897)	382-31011-5B (71444913)	382-31011-6B (71444939)	382-31011-7B (71444954)
807		1	382-31421-2 (45897618)	382-31421-3 (43804053)	382-31421-4 (45890761)	382-31421-5 (71457311)	382-31421-6 (71457303)	382-31421-7 (45876778)
805	Panel w/ Manual Band Brake w/ Drum Lock	4	382-31011-2B (71444855)	382-31011-3B (71444871)	382-31011-4B (71444897)	382-31011-5B (71444913)	382-31011-6B (71444939)	382-31011-7B (71444954)
807		1	382-31421-2B	382-31421-3B	382-31421-4B	382-31421-5B	382-31421-6B	382-31421-7B
805	Panel w/ Auto Band Brake w/o Drum Lock *	---	---					
	Panel w/ Auto Band Brake w/ Drum Lock							
806	Crossbar w/o Band Brake	6	382-30982-2 (71460125)	382-30982-3 (71444335)	382-30982-4 (45879152)	382-30982-5 (71444343)	382-30982-6 (45884467)	382-30982-7 (45900388)
	Crossbar w/ Manual Band Brake	5	382-30982-2B (71471833)	382-30982-3B (71444319)	382-30982-4B (45875739)	382-30982-5B (71444327)	382-30982-6B (43800598)	382-30982-7B (71470785)
	Crossbar w/ Auto Band Brake	---	---					
804	Locknut w/o Band Brake	16	71445415					
	Locknut w/ Manual Band Brake	14	71445415					
	Locknut w/ Auto Band Brake	---	---					
96	Washer	8	71376370					
809	Capscrew	8	71445407					

* Man Rider application requires a band brake and no drum lock.

AIR PREPARATION ASSEMBLY DRAWING AND PARTS LIST



(Dwg. MHP2679)

Item No.	Description of Part	Total Qty	Part Number (CCN)
---	Air Preparation Assembly	1	382-31020-S (43803451)
575	Filter 1-1/2 NPT	1	F35581-410 (15327844)
578	Pipe Nipple	2	71311260
580	Lubricator 1-1/2 NPT	1	L36581-110 (15328107)
586	Hose, bulk (4 ft [1.22 mm]) *	1	47519434009
601	Regulator	1	382-35598 (45921814)
602	Pipe Nipple	1	71391064
603	U-Bolt	2	71445308
604	Capscrew	4	71391080
605	Washer	4	71445324
606	Nut	4	71445316
607	Bracket	2	382-31021 (71445225)
608	Hose Fitting	2	54738 (71075899)
609	Fitting, Connector (Note)	1	71106520
**	Fitting	1	54270 (71075915)
**	Ball Valve	1	71416911

Air preparation components for 1-1/2 inch FNPT system.

* Length as required for installation.

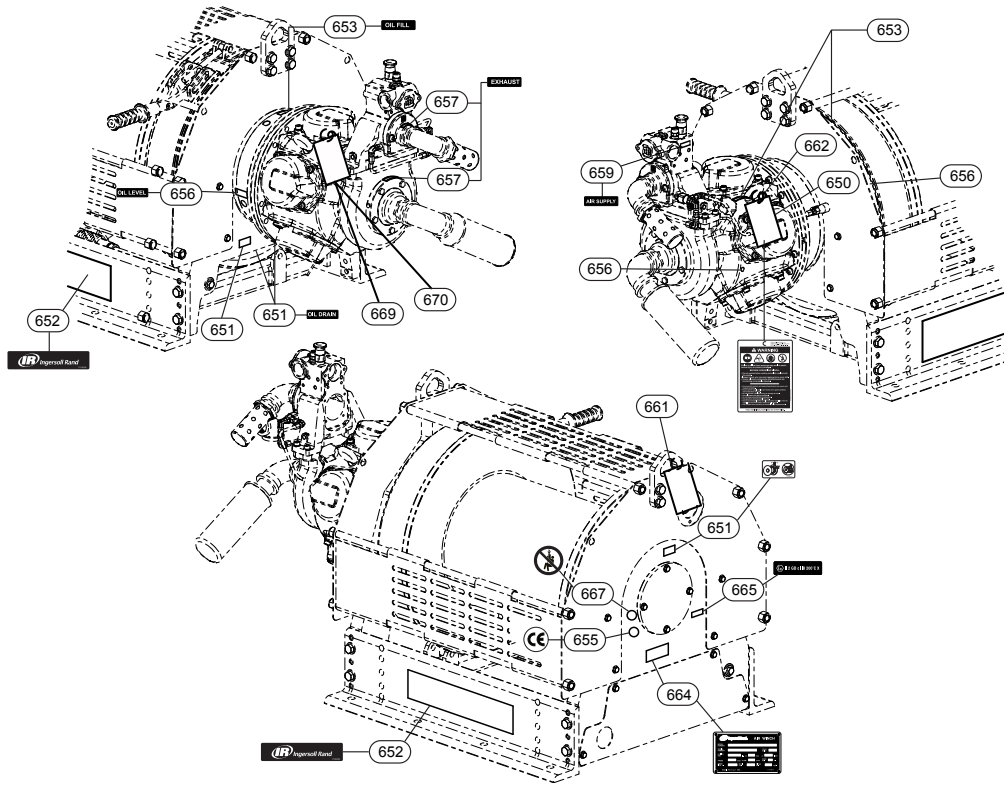
** Item not illustrated. Refer to Product Safety Information Manual.

Note: Requires special tool to install fitting into hose ends.

Air Preparation Assembly Replacement Kit List:

Item No.	Description of Part	Total Qty	Part Number (CCN)
1034	Replacement Kit: Air Preparation Assembly (include items: 582-584 and 587)	1	382-31020-S (43803451)
1035	Replacement Kit: Filter (include items: 575 and 578)	1	47533243001
1036	Replacement Kit: Regulator (include items: 577 and 578)	1	47533246001
1037	Replacement Kit: Lubricator (include items: 578 and 580)	1	47533239001

LABELS AND TAGS ASSEMBLY DRAWING AND PARTS LIST



(Dwg. MHP2718)

Item No.	Description of Part	Total Qty	Part Number (CCN)	Item No.	Description of Part	Total Qty	Part Number (CCN)
89	Rivet	4	71028849	659	Label, Air Supply	1	71046395
650	Tag Kit, Warning – Utility	1	29452 (71410567)	661	Tag Kit, Drum Guard	1	382-31662-5 (45925633)
	Tag Kit, Warning – Man Rider		29478 (71411607)	662	Tag, Check Oil Level	1	71107148
651	Label, Overwind	2	71462725	663	Label, Notice - Pressure Gauge	1	45925260
	Label, Underwind		71462733	664	Data (Name) Plate - Utility CE & -E	1	71373815-RS (45896982)
652	Label, IR Logo 8 - 12 in. drum	1	71106256		Data (Name) Plate - Utility		71070643-RS (71442040)
	Label, IR Logo 16 - 20 in. drum		71106256		Data (Name) Plate - MR & MRCE	71373831-RS (43806504)	
	Label, IR Logo 24 + in. drum		71109102	665	Label, ATEX (CE, MRCE & -E)	1	71427413
653	Label, Oil Fill	3	71042204	667	Label, Do Not Lift People - Utility	1	96180100 (DNM38543872)
655	Label, CE and MRCE	1	96180096 (DNM38543831)	668	Label, Oil Drain	3	71042188
656	Label, Oil Level	1	71043616	669	Tag Kit, Aftermarket	1	382-31663
657	Label, Exhaust	1	71042196	670	Tag, Encompass Inspected	1	71462709

Note 1: Not all labels are illustrated. Some labels are on component assembly drawings.

Note 2: Some labels may not be applicable to your product, refer to products date (name) plate and the Information Manual for specific model.

Note 3: For a replacement data (name) plate (664) a model and serial number are be required.

KITS

Description of Kit	Part Number (CCN)
FA2.5i – Automatic Brake Kit (converts manual band brake to automatic band brake). Refer to Dwg. MHP2694; includes items 102, 105 through 115, 117 through 120, 129 and 134.	382-32549 (43802099)
FA5i / FA5Ti – Automatic Brake Kit (converts manual band brake to automatic band brake). Refer to Dwg. MHP2694; includes items 102, 105 through 115, 117 through 120, 129 and 134.	382-32550 (43802107)
Disc Brake Kit (adds disc brake to winch). Refer to Dwgs. MHP2674; includes items 1, 7-12, 16-32, 34-38)	382-32548 (43801984)
Full Flow Remote Control Kit (converts winch live air control valve to remote control) Refer to Dwgs. MHP2698; includes items 113, 115, 253, 318, and 321-324.	
with 10 feet (3.05 metres) hose	19999-1S
with 20 feet (6.1 metres) hose	19999-2S (45885274)
Pendant Control Kit (converts winch live air control to pendant control). Refer to Dwg. MHP2720 and MHP2699; includes all items, except 348, 357 and 358.	
with 10 feet (3.05 metres) pendant hose	Contact Factory
with 20 feet (6.1 metres) pendant hose	
with 30 feet (9.15 metres) pendant hose	
with 40 feet (12.1 metres) pendant hose	
Limit Switch Kit (adds limit and controls to winch)	
Muffler Kit	24375 (71266019)

SERVICE NOTES

SERVICE NOTES
