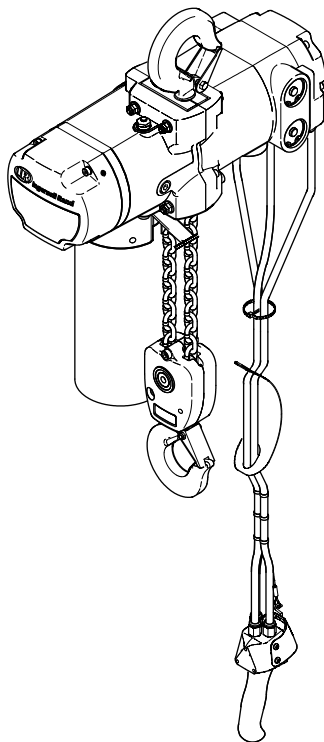


# Compact Lift Air Chain Hoist

Models CL125K, CL250K and CL500K



(Dwg. MHP2967)

---

## Product Parts Information



**Save These Instructions**



---

Form MHD56407  
Edition 5  
September 2020  
CCN 45550191

Only allow **Ingersoll Rand** trained technicians to perform maintenance on this product. For additional information contact **Ingersoll Rand** factory or nearest distributor.

**For additional supporting documentation refer to Table 1, p. 2.**

**Manuals can be downloaded from [ingersollrand.com](http://ingersollrand.com)**

The use of other than genuine Ingersoll Rand replacement parts may result in safety hazards, decreased performance and increased maintenance and will invalidate all warranties.

Original instructions are in English. Other languages are a translation of the original instructions.

Refer all communications to the nearest **Ingersoll Rand** office or distributor.

**Table 1. Product Information Manuals**

| <b>Publication</b>   | <b>Part/Document Number (CCN)</b> |
|--|-----------------------------------|
| Product Safety Information Manual                                      | MHD56295 (71441281)               |
| Product Safety Information Manual (ATEX),<br>Declaration of Conformity | 47682009001                       |
| Product Information Manual   | MHD56406 (45550183)               |
| Product Maintenance Information Manual                                 | MHD56408 (45550209)               |
| Product Installation and Operation Information Manual (English)        | 47699816001                       |

# Table of Contents

|   |    |
|---|----|
| Parts Ordering Information .....        | 4  |
| Return Goods Policy .....               | 4  |
| Disposal .....                          | 4  |
| Hoist Body and Top Hook Assembly.....   | 5  |
| Reduction Gear and Brake Assembly ..... | 7  |
| Valve and Motor Assembly.....           | 9  |
| Pendant Assembly .....                  | 11 |
| Pendant Hose Connection Assembly .....  | 13 |
| Bottom Hook Assembly .....              | 14 |
| Chain Container Assembly .....          | 15 |

# Parts Ordering Information

These products are designed and constructed to provide long, trouble-free service. In time it may be necessary to order and install new parts to replace those that have been subjected to wear.

For your convenience and future reference, it is recommended that the following information be recorded.

**Model Number** \_\_\_\_\_

**Serial Number** \_\_\_\_\_

**Date Purchase** \_\_\_\_\_

When ordering replacement parts, please specify the following:

1. Complete model number and serial number as it appears on the data (name) plate.
2. Part number(s) and part description as shown in this manual.
3. Quantity required.

The data (name) plate is located on the product.

## NOTICE

- **Continuing improvement and advancement of design may cause changes to this equipment which are not included in this manual. Manuals are periodically revised to incorporate changes. Always check the manual edition number on the front cover for the latest issue.**
- **Sections of this manual may not apply to your product.**
- **The use of other than genuine Ingersoll Rand replacement parts may result in safety hazards, decreased performance and increased maintenance, and will invalidate all warranties.**

## Return Goods Policy

**Ingersoll Rand** will not accept any returned goods for warranty or service unless prior arrangements have been made and written authorization has been provided from the location the goods were purchased.

Products that have been modified without Ingersoll Rand approval, mishandled or overloaded will not be repaired or replaced under warranty. A printed copy of the warranty that applies to this product is provided inside the back cover of the product information manual or in some cases the parts manual.

## Disposal



When the life of the product has expired, it is recommended that it be disassembled, degreased and parts separated as to materials so that they may be recycled.

For additional information contact:

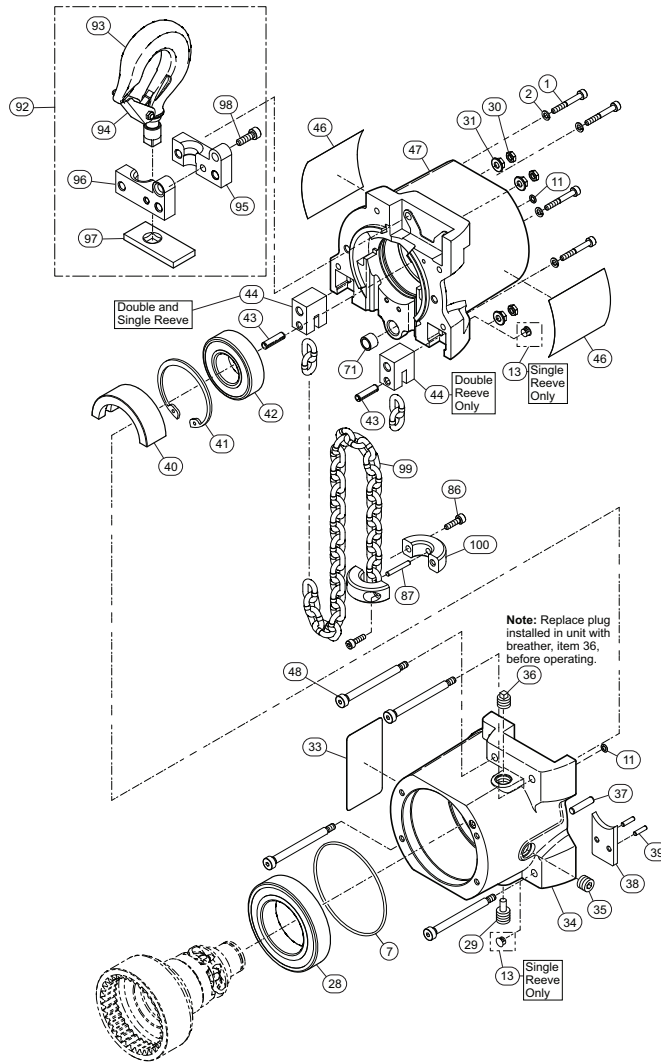
**Ingersoll Rand**  
20017 72nd Avenue South  
Kent, WA 98032 USA  
Phone: (877) 584-0370  
Fax: (253) 398-3473

or

**Ingersoll Rand**  
**Douai Operations**  
529, Avenue Roger Salengro  
59450 Sin Le Noble, France  
Phone: (33) 03-27-93-08-08  
Fax: (33) 03-27-93-08-00

# Hoist Body and Top Hook Assembly

Figure 1. Hoist Body and Top Hook Assembly - Exploded View



(Dwg. MHP2951)

Table 2. Hoist Body and Top Hook Assembly - Parts List

| Item No. | Part Description          | Total Qty | Part Number (CCN) |
|----------|---------------------------|-----------|-------------------|
| 1        | Screw, Cap                | 4         | 119M2A132B        |
| 2        | Lockwasher                | 4         | 500M5EG7B         |
| 7 (a)    | O-Ring                    | 1         | 309M11BN2X75      |
| 11 (a)   | O-Ring                    | 2         | 309M11BN15X3      |
| 13       | Plug (125/250 kg)         | 2         | 301A11PS27        |
| 28       | Bearing                   | 1         | CL250K-988        |
| 29       | Drain Plug                | 1         | 150T-29           |
| 30       | Jam Nut (125/250 kg)      | 3         | 19M4JS7M3         |
|          | Jam Nut (500 kg)          | 4         |                   |
| 31       | Nut, Flanged (125/250 kg) | 3         | 502M4AB01M3       |
|          | Nut, Flanged (500 kg)     | 4         |                   |
| 33       | Label, Warning            | 1         | MTK-147           |
| 34       | Gear Housing              | 1         | CL250K-140        |

## Hoist Body and Top Hook Assembly

**Table 2. Hoist Body and Top Hook Assembly - Parts List (continued)**

| Item No. | Part Description  | Total Qty      | Part Number (CCN)   |
|----------|---|----------------|---------------------|
| 35       | Pipe Plug   | 1              | R2-227              |
| 36       | Breather <sup>(b)</sup>   | 1              | CL250K-188          |
| 37       | Dowel Pin   | 2              | 17M13B239           |
| 38       | Splitter  | 1              | CL250K-485          |
| 39       | Dowel Pin   | 2              | 17M13B158           |
| 40       | Chain Guide   | 1              | CL250K-6            |
| 41       | Retainer Ring   | 1              | 161M13N52P1         |
| 42       | Bearing   | 1              | 26A19X2052RS HABEC1 |
| 43       | Spring Pin (125 / 250 kg)   | 1              | 200M13S133PL        |
|          | Spring Pin (500 kg)   | 2              |                     |
| 44       | Attachement Link (125 / 250 kg)   | 1              | CL250K-224          |
|          | Attachement Link (500 kg)   | 2              |                     |
| 46       | Capacity Label for CL125K   | 2              | CL125K-99           |
|          | Capacity Label for CL250K   |                | CL250K-99           |
|          | Capacity Label for CL500K   |                | CL500K-99           |
| 47       | Motor Housing   | 1              | CL250K-40           |
| 48       | Screw, Shoulder (125 / 250 kg)  | 3              | 121M2A418BK         |
|          | Screw, Shoulder (500 kg)  | 4              |                     |
| 71       | Bushing   | 1              | 212M19SB08X1 1X08   |
| 86       | Screw, Cap  | 2              | 119M2A701B          |
| 87       | Dowel Pin   | 1              | 17M13B195           |
| 92       | Replacement Kit, CLK Top Block Standard Hook (includes 93,94,95,96,97 and 98) | 1              | 47600019001         |
|          | Replacement Kit, CLK Top Block Bullard Hook (includes 93,94,95,96,97 and 98)  |                | 47600019002         |
| 93       | Upper Hook  | 1              | ---                 |
| 94       | Hook Latch Assembly   | 1              | CL250K-2DS0D1       |
| 95       | Upper Hook Block A  | 1              | ---                 |
| 96       | Upper Hook Block B  | 1              |                     |
| 97       | Alignment Plate   | 1              |                     |
| 98       | Screw, Cap  | 1              |                     |
| 99       | Chain   | <sup>(c)</sup> | CL250K-745          |
| 100      | Chain Stop Kit (includes 86 & 87)   | 1              | CL250K-K80          |

<sup>(a)</sup> Recommended spares

<sup>(b)</sup> Replace plug (Y17-10-C) shipped with product, with Breather item (36).

<sup>(c)</sup> Specify length as required, order in ft, specify single or double reeve.

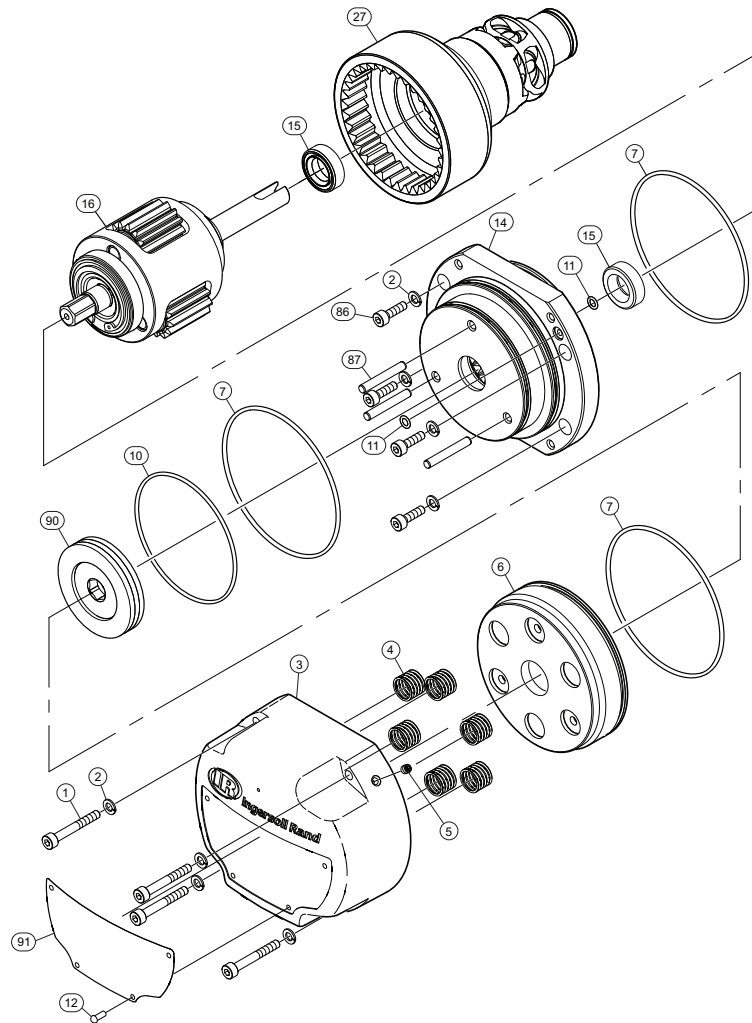
**Note:** Item Hook Latch Assembly is used on both top and bottom hooks.

**Table 3. Kit:**

| Item No. | Part Description           | Total Qty | Part Number |
|----------|----------------------------|-----------|-------------|
| ---      | Restraining Cable Kit, CLK | 1         | 47604156001 |

# Reduction Gear and Brake Assembly

Figure 2. Reduction Gear and Brake Assembly - Exploded View



(Dwg. MHP2953)

Table 4. Reduction Gear and Brake Assembly - Parts List

| Item No. | Part Description    | Total Qty | Part Number (CCN) |
|----------|---------------------|-----------|-------------------|
| 1        | Screw, Cap          | 4         | 119M2A132B        |
| 2        | Lockwasher          | 8         | 500M5EG7B         |
| 3        | Piston Housing      | 1         | CL250K-395        |
| 4        | Spring              | 6         | CL250K-832        |
| 5        | Screw, Set          | 1         | 107M2K104         |
| 6        | Piston              | 1         | CL250K-809        |
| 7        | O-Ring              | 3         | 309M11BN2X75      |
| 10       | O-Ring              | 1         | 309M11BN2X65      |
| 11       | O-Ring              | 2         | 309M11BN15X3      |
| 12       | Rivet               | 4         | Y60-44            |
| 14       | Gear Case           | 1         | CL250K-37         |
| 15       | Seal                | 2         | 308M11N01         |
| 16       | Gear Frame Assembly | 1         | CL250K-A8         |
| 27       | Pocket Wheel        | 1         | CL250K-740        |

## Reduction Gear and Brake Assembly

---

**Table 4. Reduction Gear and Brake Assembly - Parts List (continued)**

| Item No. | Part Description    | Total Qty | Part Number (CCN) |
|----------|---------------------|-----------|-------------------|
| 86       | Screw, Cap          | 4         | 119M2A701B        |
| 87       | Dowel Pin           | 3         | 17M13B195         |
| 90       | Brake Disc Assembly | 1         | CL250K-A834       |
| 91       | Data (name) Plate   | 1         | (a)               |

(a) Serial and model number is required for replacement orders of Data (Name) Plate, item (91).

**Table 5. Kit:**

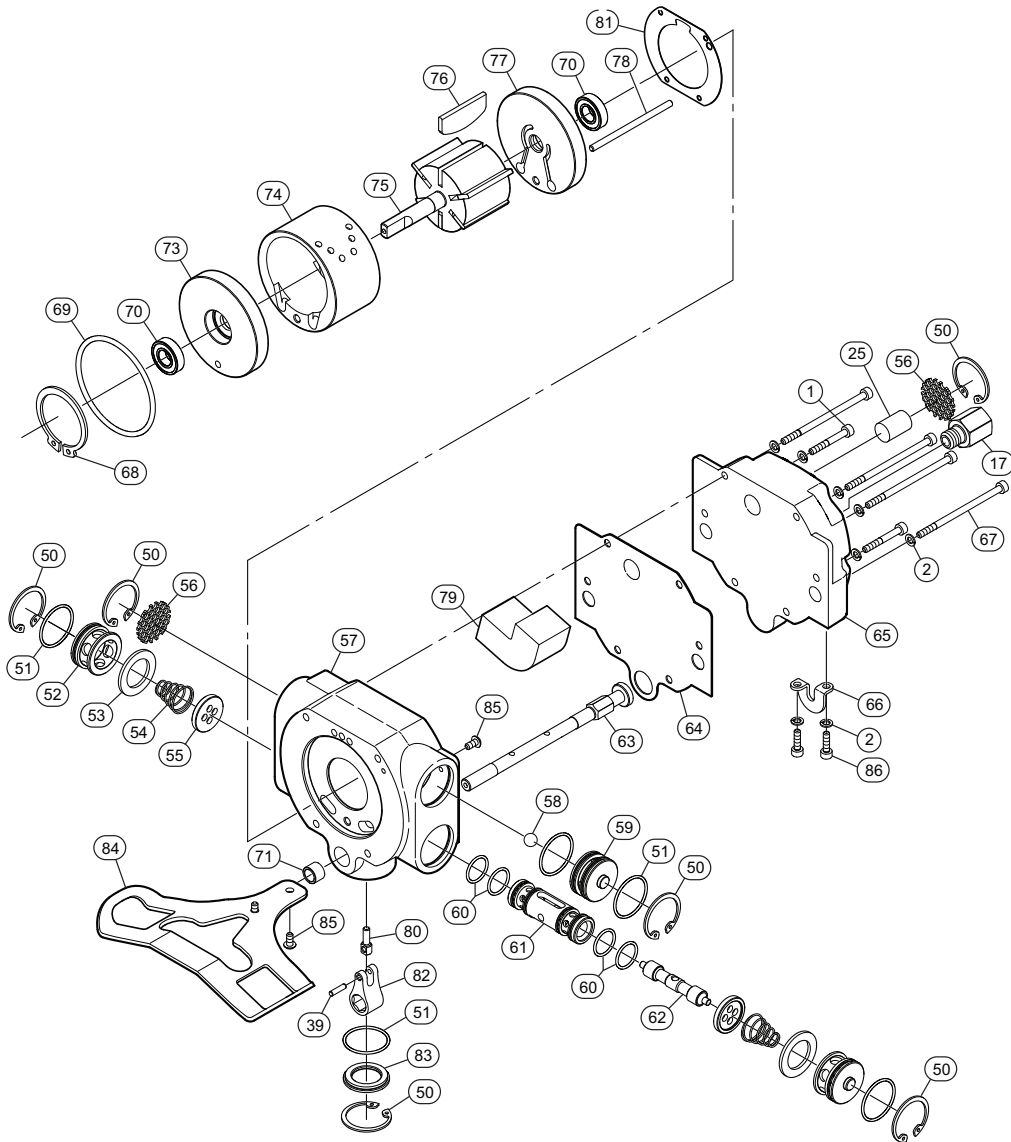
| Item No. | Part Description                                 | Total Qty | Part Number  |
|----------|--|-----------|--------------|
| (a)      | Brake Tune-up Kit (includes 4, 7, 10, 11 and 90) | 1         | CL250K-TK834 |

(a) Recommended spares



# Valve and Motor Assembly

Figure 3. Valve and Motor Assembly - Exploded View



(Dwg. MHP4234)

Table 6. Valve and Motor Assembly - Parts List

| Item No. | Part Description | Total Qty | Part Number    |
|----------|------------------|-----------|----------------|
| 1        | Screw, Cap       | 4         | 119M2A132B     |
| 2        | Lockwasher       | 8         | 500M5EG7B      |
| 17       | Inlet Strainer   | 1         | CL250K-A465    |
| 25       | Muffer           | 1         | CL250K-311B    |
| 39       | Dowel Pin        | 1         | 17M13B158      |
| 50       | Retainer Ring    | 6         | 161M13N28P1    |
| 51       | O-Ring           | 5         | 309M11BN15X 25 |
| 52       | Inlet Cap        | 2         | CL250K-238     |
| 53       | Buffer           | 2         | CL250K-50      |
| 55       | Spring           | 2         | CL250K-250     |
| 55       | Washer           | 2         | CL250K-248     |
| 56       | Muffer Screen    | 2         | CL250K-310     |

## Valve and Motor Assembly

**Table 6. Valve and Motor Assembly - Parts List (continued)**

| Item No. | Part Description        | Total Qty | Part Number       |
|----------|-------------------------|-----------|-------------------|
| 57       | Valve Chest             | 1         | CL250K-A241       |
| 58       | Ball                    | 1         | 309A11N08         |
| 59       | Shuttle Valve Cartridge | 1         | CL250K-302        |
| 60       | O-Ring                  | 4         | 309M11BN15X 135   |
| 61       | Valve Cartridge         | 1         | CL250K-347        |
| 62       | Valve                   | 1         | CL250K-346        |
| 63       | Shaft, Limit Switch     | 1         | CL250K-255        |
| 64       | Gasket                  | 1         | CL250K-283        |
| 65       | Valve Cover             | 1         | CL250K-102        |
| 66       | Support                 | 1         | MLK-450           |
| 67       | Screw, Cap              | 4         | 119M2A140B        |
| 68       | Retainer Ring           | 1         | 162M13N25P1       |
| 69       | O-Ring                  | 1         | 309M11BN3X60      |
| 70       | Bearing                 | 2         | CL250K-24         |
| 71       | Bearing                 | 1         | 212M19SB08X1 1X08 |
| 73       | Endplate, Front         | 1         | CL250K-11         |
| 74       | Cylinder                | 1         | CL250K-3          |
| 75       | Rotor                   | 1         | CL250K-53         |
| 76       | Blade                   | 6         | CL250K-42         |
| 77       | Endplate, Rear          | 1         | CL250K-12         |
| 78       | Dowel Pin               | 1         | CL250K-98         |
| 79       | Muffler                 | 1         | CL250K-311A       |
| 80       | Pivot Arm, Upper        | 1         | CL250K-251        |
| 81       | Gasket                  | 1         | CL250K-292        |
| 82       | Pivot Arm, Lower        | 1         | CL250K-254        |
| 83       | Valve Cap               | 1         | CL250K-943        |
| 84       | Lever, Limit Switch     | 1         | CL250K-222        |
| 85       | Screw, Cap              | 3         | 134M2AA61B        |
| 86       | Screw, Cap              | 2         | 119M2A701B        |

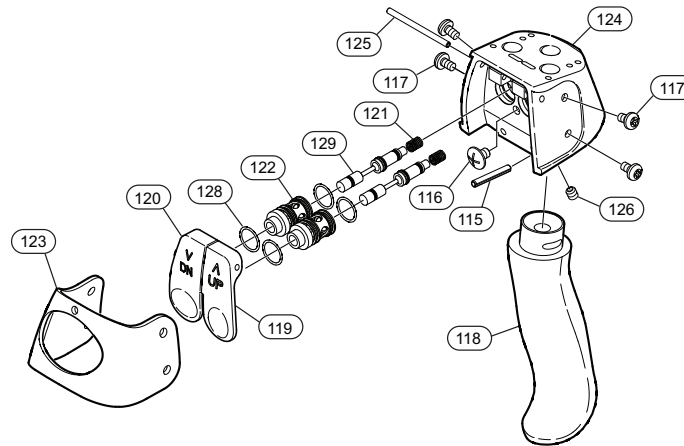
**Table 7. Kit:**

| Item No. | Part Description   | Total Qty | Part Number |
|----------|--|-----------|-------------|
| (a)      | Motor Tune-up Kit (includes 25, 54, 64, 69, 70, 76, 79 and 81) | 1         | CL250K-TK53 |

(a) Recommended spares

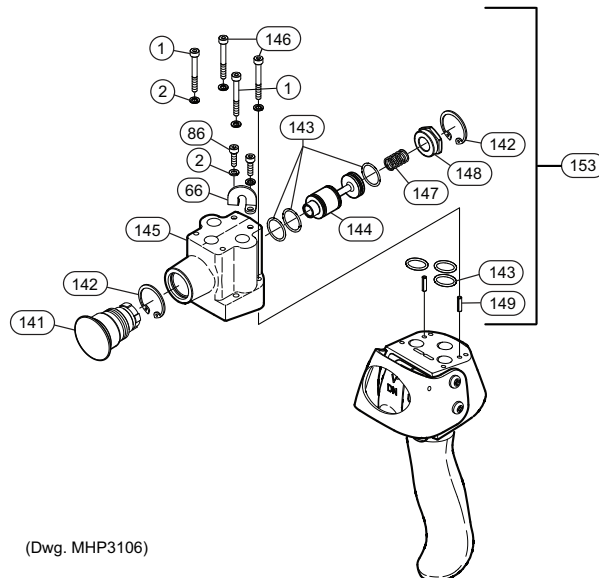
# Pendant Assembly

Figure 4. Standard Pendant - Exploded View



(Dwg. MHP2916)

Figure 5. Pendant with Emergency Stop - Exploded View



(Dwg. MHP3106)

Table 8. Pendant Assembly - Parts List

| Item No. | Part Description      | Total Qty | Part Number      |                             |
|----------|-----------------------|-----------|------------------|-----------------------------|
|          |                       |           | Standard Pendant | Pendant with Emergency Stop |
| 114      | Pendant Assembly      | 1         | 45648177         | 45660073                    |
| 1        | Screw, Cap            | 2         | ---              | Order Item 153              |
| 2        | Lockwasher            | 6         |                  | 500M5EG7B                   |
| 66       | Strain Relief Support | 1         |                  | MLK-450                     |
| 86       | Screw                 | 2         |                  | 119M2A701B                  |

## Pendant Assembly

**Table 8. Pendant Assembly - Parts List (continued)**

| Item No. | Part Description      | Total Qty | Part Number                          |                             |
|----------|-----------------------|-----------|--------------------------------------|-----------------------------|
|          |                       |           | Standard Pendant                     | Pendant with Emergency Stop |
| 115      | Roll Pin              | 1         | Order Item 114 (Not Sold Separately) |                             |
| 116      | Screw                 | 1         |                                      |                             |
| 117      | Screw, Set            | 4         |                                      |                             |
| 118      | Handle                | 1         |                                      |                             |
| 119      | Lever, Up             | 1         |                                      |                             |
| 120      | Lever, Down           | 1         |                                      |                             |
| 121      | Spring                | 2         |                                      |                             |
| 122      | Valve Bushing         | 2         |                                      |                             |
| 123      | Guard                 | 1         |                                      |                             |
| 124      | Housing               | 1         |                                      |                             |
| 125      | Spring Pin            | 1         |                                      |                             |
| 126      | Screw, Set            | 1         |                                      |                             |
| 127      | O-Ring                | 3         |                                      |                             |
| 128      | O-Ring                | 4         |                                      |                             |
| 129      | Valve                 | 2         | ---                                  | 45940327                    |
| 141      | Emergency Stop Button | 1         |                                      | Order Item 153              |
| 142      | Retainer Ring         | 2         |                                      |                             |
| 143      | O-Ring                | 3         |                                      |                             |
| 144      | Valve                 | 1         |                                      |                             |
| 145      | Valve Block           | 1         |                                      |                             |
| 146      | Screw, Cap            | 2         |                                      |                             |
| 147      | Spring                | 1         |                                      |                             |
| 148      | Valve Cap             | 1         |                                      |                             |
| 149      | Pin                   | 2         |                                      |                             |
| 150      | O-Ring                | 3         |                                      |                             |

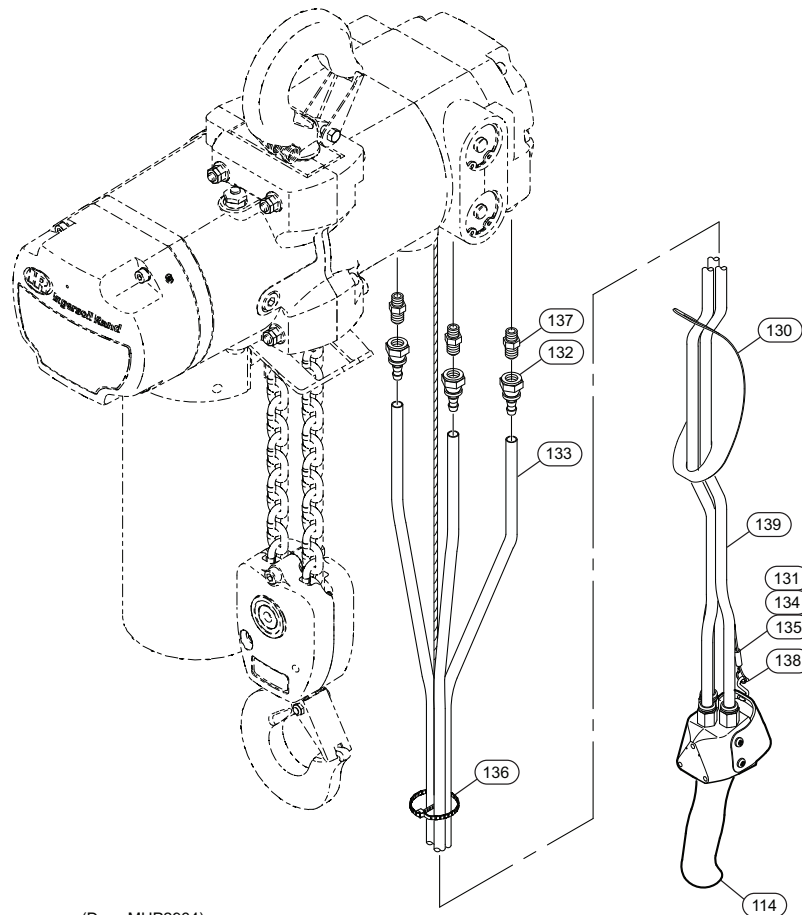
**Table 9. Kits:**

| Item No. | Part Description   | Total Qty | Part Number |
|----------|--|-----------|-------------|
| (a)      | Pendant Tune-up Kit without Emergency Stop (includes 121, 122, 125, 128 and 129) | 1         | 45665585    |
| (a)      | Emergency Stop Tune-up Kit (includes 143, 144, 147 and 150)                      | 1         | 47083548    |
| 153      | Emergency Stop Retro-fit Kit (includes 1, 2, 66, 86, 141 through 150)            | 1         | 45667391    |

(a) Recommended spares

# Pendant Hose Connection Assembly

Figure 6. Pendant Hose Connection Assembly - Exploded View



(Dwg. MHP2964)

Table 10. Pendant Hose Connection Assembly - Parts List

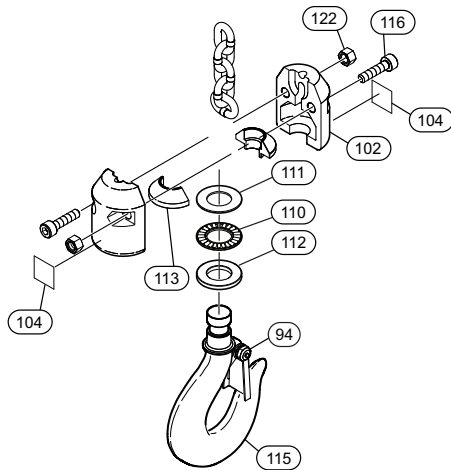
| Item No. | Part Description          | Total Qty | Part Number (CCN) |
|----------|---------------------------|-----------|-------------------|
| 114      | Pendant                   | 1         | 45648177          |
| 130      | Warning Tag               | 1         | 04612776          |
| 131      | Strain Relief Cable       | (a)       | 33323-XXX-X       |
| 132      | Fitting, Swivel           | 6         | 53954             |
| 133      | Hose                      | (a)       | BH6C              |
| 134      | Strain Relief Clamp       | 2         | 32356             |
| 135      | Strain Relief Eye         | 2         | 31477             |
| 136      | Cable Tie                 | (b)       | 44560             |
| 137      | Adapter                   | 6         | 10565             |
| 138      | 'S' Hook                  | 1         | D02-421           |
| 139      | Pendant Hose Assembly (c) | (a)       | CL250K-A130-X     |
| 140      | Exhaust Valve Kit         | (a)       | MR-939-6          |

(a) As required. Order item 139 in ft (m), maximum length 40 feet. Item 140 not shown, qty of 2 required after 15 and 30 ft, qty of 4 required for 40 ft, to be installed equally spaced within the hose length.

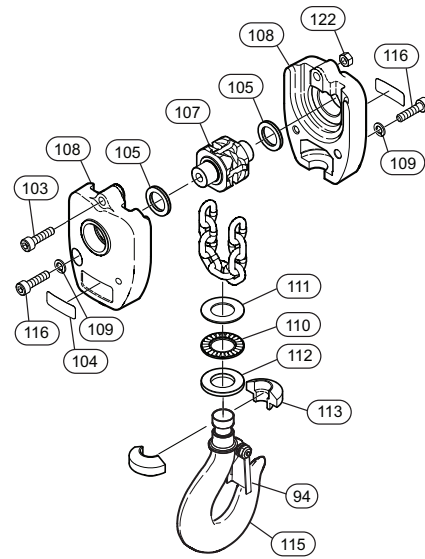
(b) Order as required; Number of cable ties is one per foot minus 1 foot with each cable drop length, example: 6 ft drop requires 5 cable ties.

(c) Includes items 130 - 136 and 138.

# Bottom Hook Assembly



(Dwg. MHP2961)



(Dwg. MHP2968)

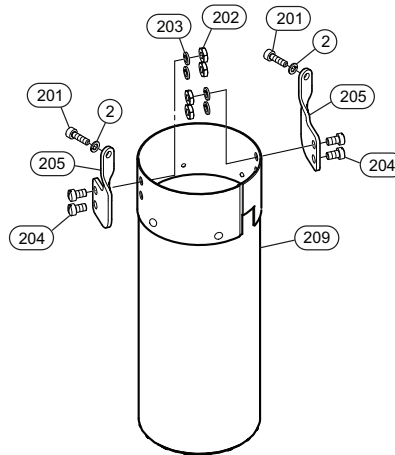
**Table 11. Bottom Hook Assembly - Parts List**

| Item No. | Part Description                        | Total Qty        | Part Number   |            |                 |
|----------|---|------------------|---------------|------------|-----------------|
|          |   |                  | CL125K        | CL250K     | CL500K          |
| 94       | Hook Safety Latch (bottom)              | 1 <sup>(a)</sup> | CL250K-2DS0D1 |            |                 |
| 102      | Bottom Block (single reeve)             | 2                | CL250K-463    |            | CL500K-A463     |
| 103      | Screw, Cap                              | 1                | —             |            |                 |
| 104      | Capacity Tag                            | 2                | CL125K-598    | CL250K-598 | CL500K-598      |
| 105      | Thrust Washer                           | 2                | —             |            | 204A19BSXTRA916 |
| 107      | Pocket Wheel                            | 1                | —             |            | CL500K-740      |
| 108      | Bottom Block (double reeve)             | 2                | —             |            | CL500K-A463     |
| 109      | Lockwasher                              | 2                | —             |            | 500M5C11        |
| 110      | Needle Bearing                          | 1                | 209M19X01     |            |                 |
| 111      | Thrust Washer - Thin                    | 1                | 211M19S11     |            |                 |
| 112      | Thrust Washer - Thick                   | 1                | 211M19CCS01   |            |                 |
| 113      | Collar                                  | 2                | CL250K-373    |            |                 |
| 115      | Bottom Hook Assembly (includes item 94) | 1                | CL250K-590    |            |                 |
|          | Bottom Hook Assembly (bullard)          |                  | CLK250K-376   |            |                 |
| 116      | Screw, Cap                              | 2                | 119M2A160B    |            | 119M2A160B      |
| 122      | Nut                                     | ( )              | 16M4JB6B (2)  |            | 16M4JB6B (1)    |

<sup>(a)</sup> Hook Latch Assembly is used on both top and bottom hooks.

# Chain Container Assembly

Figure 7. Chain Container Assembly - Exploded View



(Dwg. MHP2788)

Table 12. Chain Container Assembly - Parts List

| Item No. | Part Description   | Total Qty | Part Number    |        |        |
|----------|--|-----------|----------------|--------|--------|
|          |  |           | CL125K         | CL250K | CL500K |
| ---      | Chain Container Assembly (includes 2, 201 - 205 and 209) | 1         | CL250K-K749-20 |        |        |
|          |  | 1         | CL250K-K749-40 |        |        |
| 2        | Lockwasher   | 2         | 500M5EG7B      |        |        |
| 201      | Screw, Cap   | 2         | 119M2A701B     |        |        |
| 202      | Nut  | 4         | Y22-10-C       |        |        |
| 203      | Washer   | 4         | Y14-10-C       |        |        |
| 204      | Screw, Cap   | 4         | Y19-104-C      |        |        |
| 205      | Bracket  | 2         | CL250K-600     |        |        |
| 209      | Chain Container <sup>(a)</sup>                           | 1         | CL250K-K749-20 |        |        |
|          | Chain Container <sup>(b)</sup>                           | 1         | CL250K-K749-40 |        |        |

- <sup>(a)</sup> Single Reeve - Up to 20 ft of chain (lift), 125 and 250 kg  
 Double Reeve - Up to 10 ft of chain (lift), 500 kg  
<sup>(b)</sup> Single Reeve - Up to 40 ft of chain (lift), 125 and 250 kg  
 Double Reeve - Up to 20 ft of chain (lift), 500 kg

