

Liftchain® Series Air Chain Hoists

1.5 - 100 t Load Capacity

“Miner” Series

The Mining models are designed for the heavy duty conditions found in the underground mining and tunneling industries.

Their construction is based on the standard LC2A models.

Main differences compared to the standard LC2A models:

- Suitable to operate at 4 bar.
- Top hook mounted on chain links for increased flexibility. 1 extra bottom hook (optional) for alternate pulling operation.
- Top and bottom limit switches through resistant buffer stops which comes against the hoist central part.
- Cast iron pendant control.

LC2A080DSMP2C



Specifications at 4 and 6.3 bar dynamic pressure (when hoist is running) — Working pressure 4 to 7 bar.

As per European standard EN range 14492-2 – Group of mechanism as per FEM 1Bm / ISO M3.

Model number	Number of load hooks	Rated capacity on each hook (t)	Min. headroom (mm)	PERFORMANCES AT 4 BAR (58 PSI)			PERFORMANCES AT 6.3 bar (90 PSI)		
				Pulling speed at rated load (m/min)	Speed no load (m/min)	Air cons. at rated load (m ³ /min)	Pulling speed at rated load (m/min)	Speed no load (m/min)	Air cons. at rated load (m ³ /min)
LC2A Mining Series									
LC2A015SM	1	1.5 (simple hook)	608	3.2	9	2.2	6.2	11	4.0
LC2A015SSM	2	1.5 (simple hook) 1.5 (simple hook)	608 608	3.2 3.2	9 9	2.2	6.2 6.2	11 11	4.0
LC2A030DM	1	3 (double hook)	675	1.5	4.5	2.2	3	5.5	4.0
LC2A030DSM	2	1.5 (simple hook) 3 (double hook)	608 675	3.2 1.5	9 4.5	2.2	6.2 3	11 5.5	4.0
LC2A040SM	1	4 (simple hook)	757	1.7	4	3.0	3.9	7	4.5
LC2A040SSM	2	4 (simple hook) 4 (simple hook)	757 757	1.7 1.7	4 4	3.0	3.9 3.9	7 7	4.5
LC2A060SM	1	6 (simple hook)	952	1.4	2	2.5	2.2	3.6	5.2
LC2A060SSM	2	6 (simple hook) 6 (simple hook)	952 952	1.4 1.4	2 2	2.5	2.2 2.2	3.6 3.6	5.2
LC2A080DM	1	8 (double hook)	940	0.9	2	3.0	1.8	3.5	4.5
LC2A080DSM	2	4 (simple hook) 8 (double hook)	757 940	1.7 0.9	4 2	3.0	3.9 1.8	7 3.5	4.5
LC2A120DM	1	12 (double hook)	1148	0.7	1	2.5	1.1	1.8	5.2
LC2A120DSM	2	6 (simple hook) 12 (double hook)	952 1148	1.4 0.7	2 1	2.5	2.2 1.1	3.6 1.8	5.2

Model number	Sound level (1) (dbA)	Hoist weight (2) (kg)	Chain size (mm)	Chain weight/ 1m extra lift (kg)
LC2A015SM	79	41	8 x 24	1.4
LC2A015SSM	79	42	8 x 24	1.4
LC2A030DM	79	48	8 x 24	2.8
LC2A030DSM	79	50	8 x 24	2.8
LC2A040SM	76	90	13 x 36	3.8
LC2A040SSM	76	92	13 x 36	3.8
LC2A060SM	79	125	16 x 45	5.7
LC2A060SSM	79	127	16 x 45	5.7
LC2A080DM	76	118	13 x 36	7.6
LC2A080DSM	76	120	13 x 36	7.6
LC2A120DM	79	171	16 x 45	11.4
LC2A120DSM	79	179	16 x 45	11.4

(1) Sound pressure levels are measured per European standard EN 14492-2

(2) Weight measured with standard height of lift (3 m) and standard length of control (2 m).

Note: It is strongly recommended to use a lubricating and a filtration system on the compressed airline. The compressed air temperature must not exceed 65°C at the motor air inlet. For higher temperature, please consult us.

See dimensions on page 46.

Liftchain® Series Air Chain Hoists

1.5 - 100 t Load Capacity

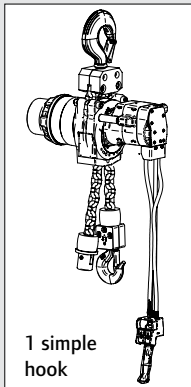


LC2A080DSMP2C

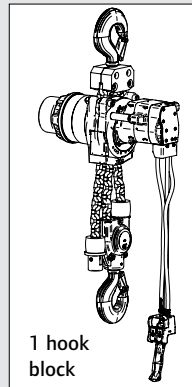
Dimensions are subject to change without notice. Please contact Client Services for certified prints.

"Miner" Series – 1.5 to 12 t capacity

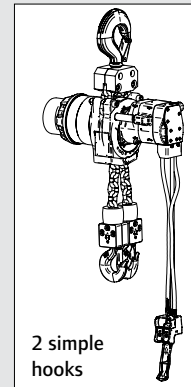
LC2A015SM
LC2A040SM
LC2A060SM



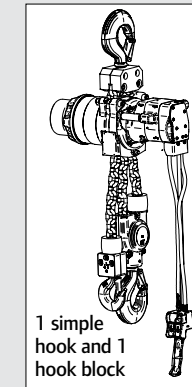
LC2A030DM
LC2A080DM
LC2A120DM



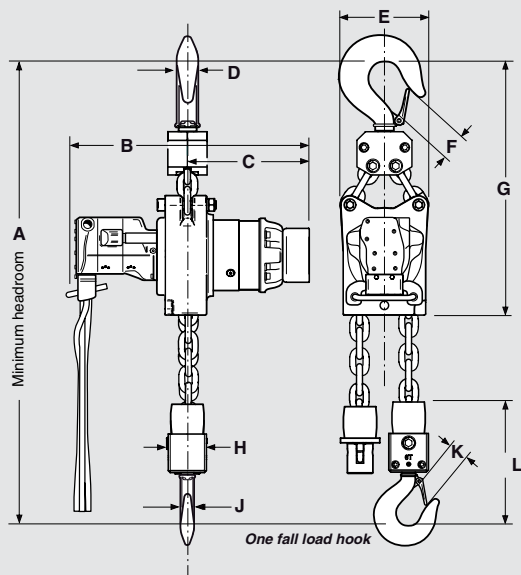
LC2A015SSM
LC2A040SSM
LC2A060SSM



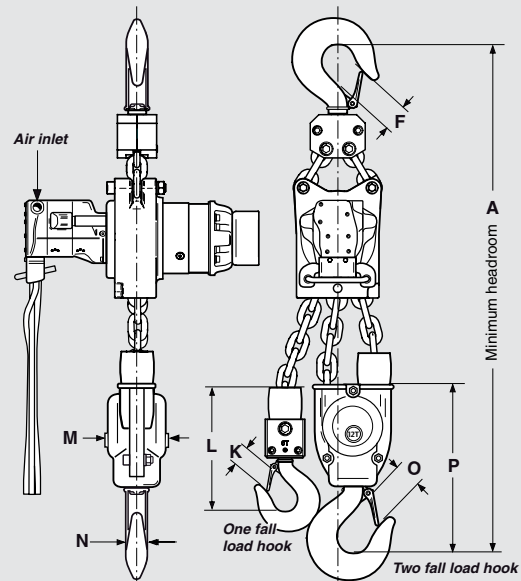
LC2A030DSM
LC2A080DSM
LC2A120DSM



Dimensions with simple fall load hook



Dimensions with simple and double fall load hooks



Hoist dimensions in mm (CE models)

Model number	A	B	C	D	E	F	G	H	J	K	L	M	N	O	P	Air Inlet Ø
LC2A015SM	610	418	210	29	154	35	377	62	29	35	233	—	—	—	—	3/4" BSP
LC2A015SSM	610/610	418	210	29	154	35	377	62	29	35	233	—	—	—	—	3/4" BSP
LC2A030DM	685	418	210	29	154	35	377	—	—	—	—	94	29	35	307	3/4" BSP
LC2A030DSM	610/685	418	210	29	154	35	375	62	29	35	233	94	29	35	307	3/4" BSP
LC2A040SM	793	620	306	43	210	53	533	77	29	35	260	—	—	—	—	1" BSP
LC2A040SSM	793/793	620	306	43	210	53	533	77	29	35	260	—	—	—	—	1" BSP
LC2A060SM	964	642	317	52	227	58	644	97	37	43	320	—	—	—	—	1" BSP
LC2A060SSM	964/964	642	317	52	227	58	644	97	37	43	320	—	—	—	—	1" BSP
LC2A080DM	976	620	306	43	210	53	533	—	—	—	—	113	43	53	443	1" BSP
LC2A080DSM	793/976	520	306	43	210	53	533	77	29	35	260	113	43	53	443	1" BSP
LC2A120DM	1160	642	317	52	227	58	644	—	—	—	—	156	52	58	516	1" BSP
LC2A120DSM	952/1160	642	317	52	227	58	644	97	37	43	320	156	52	58	516	1" BSP