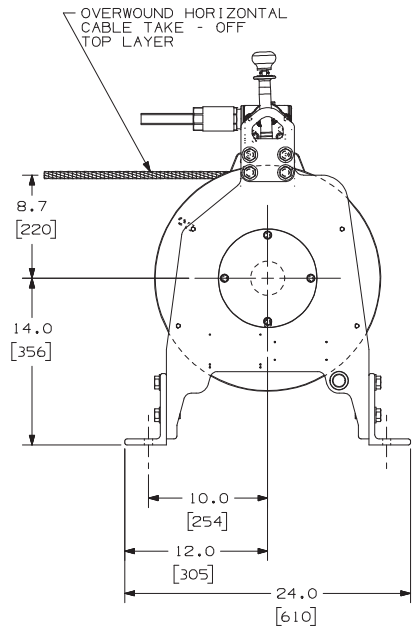
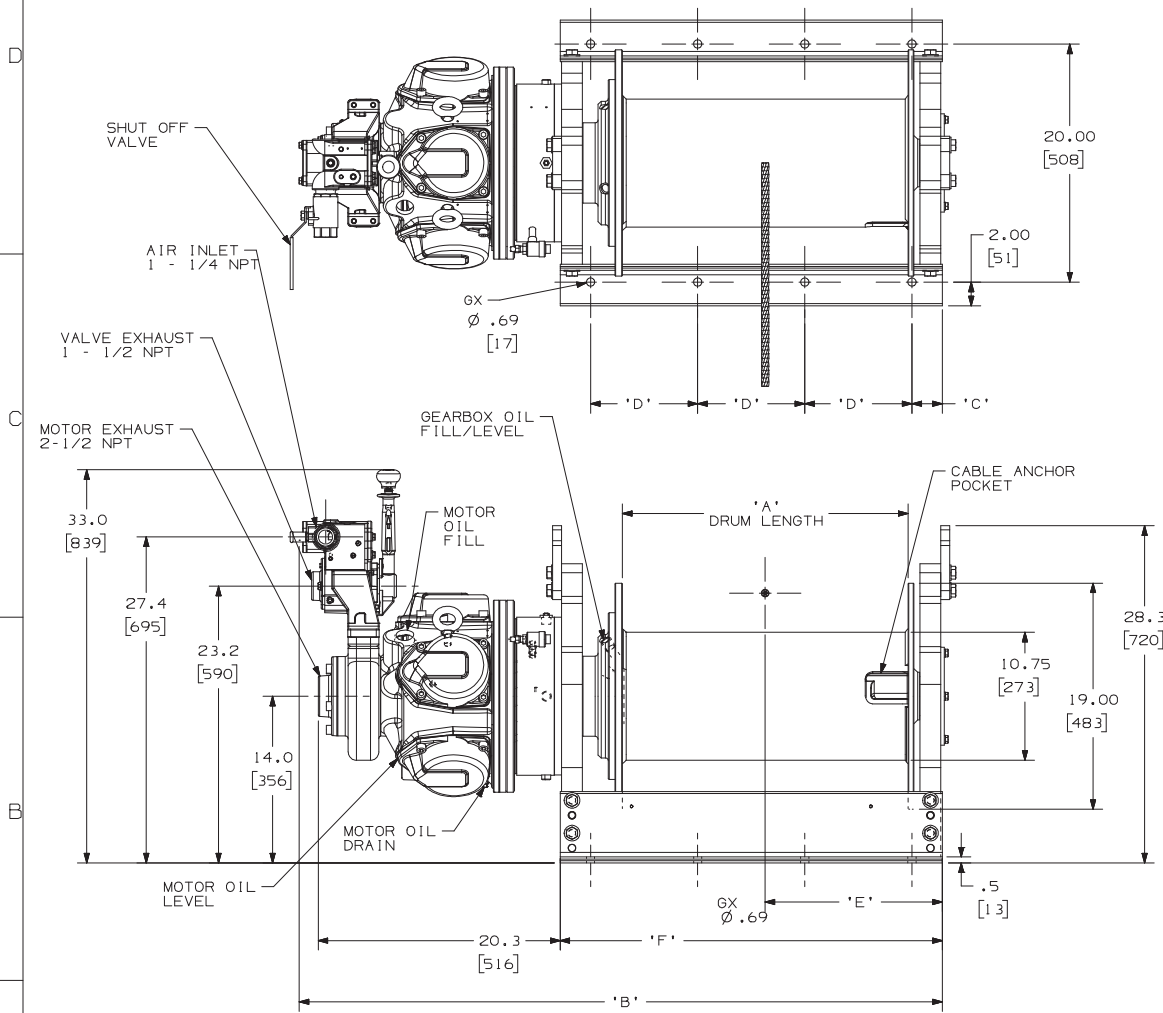


REVISIONS				
ZONE	LTR	DESCRIPTION	DATE	APPROVED
-	-	INITIAL RELEASE PER SE006214	-	



MODEL	DIM 'A'	DIM 'B'	DIM 'C'	DIM 'D'	DIM 'E'	DIM 'F'	QTY 'G'
FA2.5i - 12XK1	12.00 [305]	42.0 [1066]	2.05 [52]	8.00 [203]	2.9 [74]	20.11 [511]	3
FA2.5i - 16XK1	16.00 [406]	46.0 [1168]	1.55 [39]	7.00 [178]	6.9 [175]	24.11 [612]	4
FA2.5i - 20XK1	20.00 [508]	50.0 [1270]	2.05 [52]	8.00 [203]	10.9 [277]	28.11 [714]	4
FA2.5i - 24XK1	24.00 [610]	54.0 [1372]	2.55 [65]	9.00 [229]	14.9 [378]	32.1 [816]	4
FA2.5i - 30XK1	30.00 [762]	60.0 [1524]	2.55 [65]	11.00 [279]	20.9 [531]	38.11 [968]	4

DIMENSIONS SHOWN ARE IN INCHES
DIMENSIONS IN BRACKETS ()
ARE IN MM.

ITEM	QTY	SIZE	PART NO	DESCRIPTION
<p>THIS DOCUMENT CONTAINS CONFIDENTIAL AND TRADE SECRET INFORMATION, IS THE PROPERTY OF INGERSOLL-RAND COMPANY, AND IS LOANED TO THE RECIPIENT IN CONFIDENCE. THE RECIPIENT BY RECEIPT AND RETURN OF THE DOCUMENT ACCEPTS THE SECURITY AND CONFIDENTIALITY AND TRADE SECRET INFORMATION THEREIN AND AGREES TO MAINTAIN THE CONFIDENTIALITY AND TRADE SECRET INFORMATION THEREIN AND TO RETURN THE DOCUMENT TO THE COMPANY UPON COMPLETION OF THE NEED TO RETURN THE DOCUMENT. IF YOU HAVE RETURNED THE DOCUMENT, ALL COPIES THEREOF, AND ALL MATERIAL DERIVED THEREFROM, ARE HEREBY REVOKED.</p> <p>WARNING! The export or re-export of this drawing or a product produced by this drawing is subject to U. S. Export Administration Regulations and other applicable government restrictions or regulations.</p> <p>Copyright © 2005 Ingersoll-Rand Company All Rights Reserved</p> <p>IR Ingersoll-Rand. Ingersoll-Rand Company Tool & Hoist Division Seattle, WA, U.S.A.</p>				
UNLESS OTHERWISE SPECIFIED TOLERANCES ON DIMENSIONS ARE:		THIRD ANGLE PROJECTION		
FRACTIONS: 1/16, 1/8, 1/4, 3/8, 1/2, 5/8, 3/4, 7/8, 1.000		DATE: 04/19/2006		
DECIMALS: 0.0005, 0.001, 0.002, 0.005, 0.010, 0.015, 0.030, 0.050, 0.100, 0.150, 0.300, 0.500, 1.000		DRAWN: NMA		
ANGLES: ±0.5°		CHECKED: .		
BREAK EDGES: .010		APPROVED: .		
SURF: 125		ENG APPVAL: W.D. 04/20/2006		
		SIZE: C	PART NO: 382-32435	DWG NO: 71479380
		SCALE: N/A		REV: 00
		SHEET: 1		OF: 1

DWG NO. 71479380 SHEET 1