

REVISIONS				
ZONE	LTR	DESCRIPTION	DATE	APPROVED
	A	ADD 3-WAY VALVE. SE011424	01/17/14	WEO <i>WD</i>

**NOTE:**

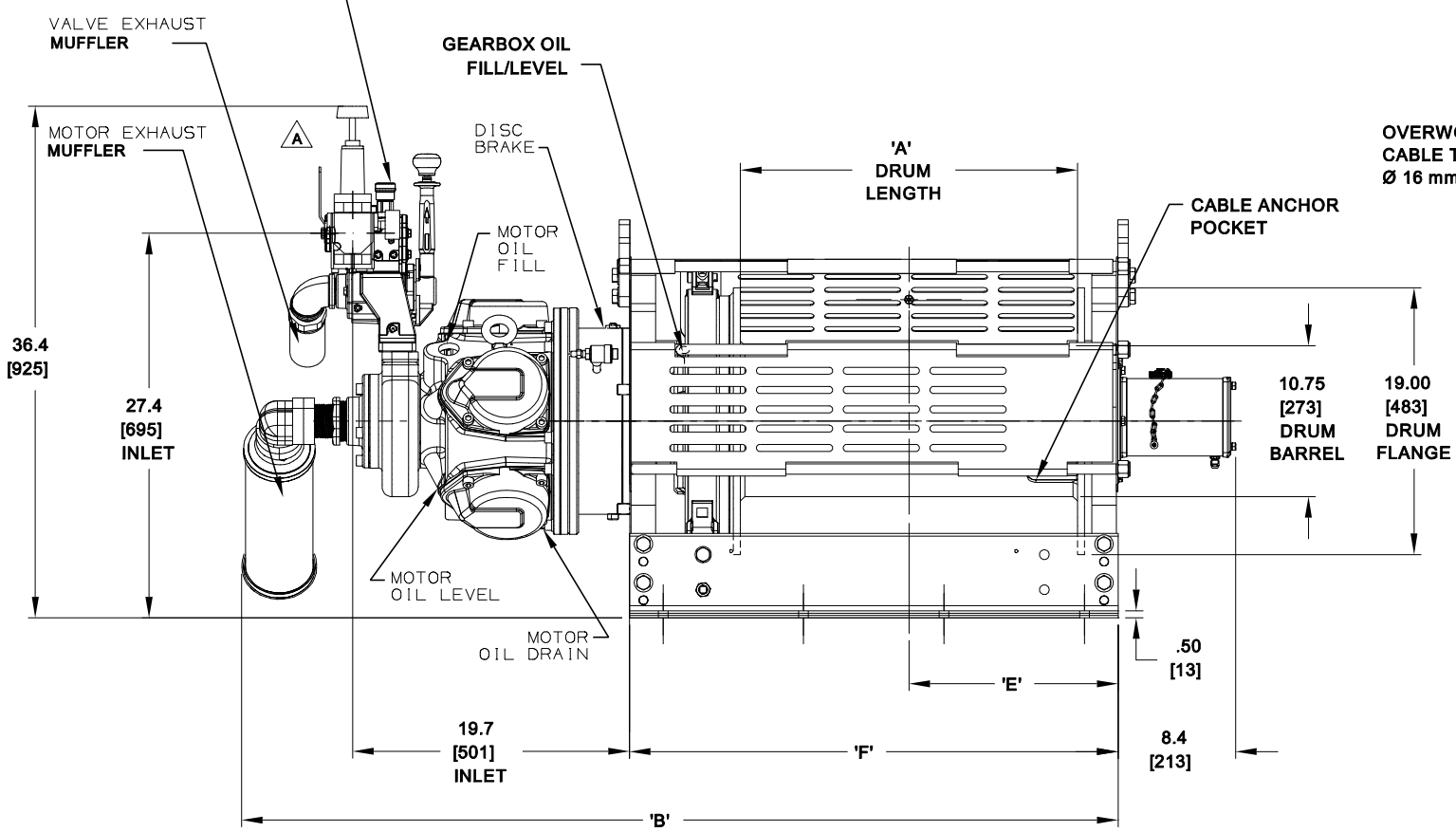
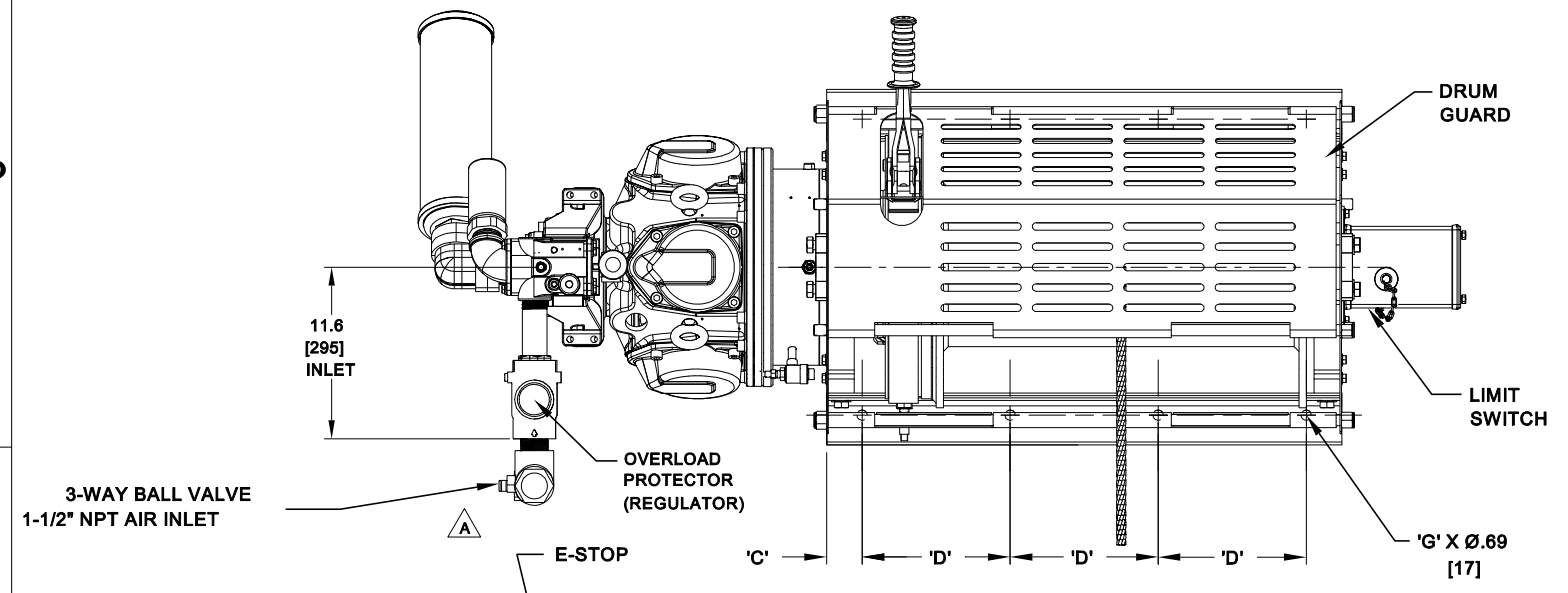
1. DIMENSIONS SHOWN ARE IN INCHES  
DIMENSIONS IN BRACKETS [ ] ARE mm.

**PERFORMANCE SPECIFICATIONS:**

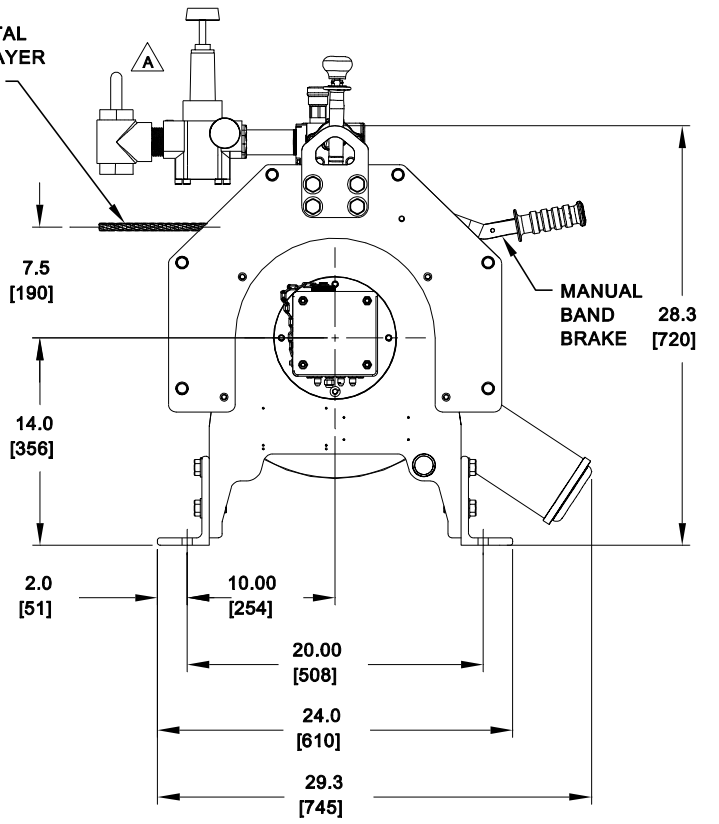
RATED LINE PULL MAN-RIDER - 3186 lbs [1445 kg] ± TOP LAYER  
 RATED LINE SPEED MAN-RIDER - 135 fpm [41 m/min] ± TOP LAYER  
 RATED LINE PULL UTILITY - 5000 lbs [2273 kg] ± TOP LAYER  
 RATED LINE SPEED UTILITY - 98 fpm [30 m/min] ± TOP LAYER  
 INLET PRESSURE - 70 psi [4.8 bar] RUNNING  
 AVG AIR CONSUMPTION - 700 scfm [19.9 m3/min]

D  
C  
B  
A

D  
C  
A



OVERWOUND HORIZONTAL  
CABLE TAKE-OFF TOP LAYER  
Ø 16 mm WIRE ROPE



MODEL	DIM 'A'	DIM 'B'	DIM 'C'	DIM 'D'	DIM 'E'	DIM 'F'	QTY 'G'
FA2.5I-12MRMK1-CE	12.00 [305]	50.4 [1280]	2.40 [61]	9.00 [229]	8.9 [226]	22.80 [579]	6
FA2.5I-16MRMK1-CE	16.00 [406]	54.4 [1382]	2.15 [55]	7.50 [191]	10.9 [277]	26.80 [681]	8
FA2.5I-20MRMK1-CE	20.00 [508]	58.4 [1483]	1.90 [48]	9.00 [229]	12.9 [327]	30.80 [782]	8
FA2.5I-24MRMK1-CE	24.00 [610]	62.4 [1585]	2.40 [61]	10.00 [254]	14.9 [378]	34.80 [884]	8
FA2.5I-30MRMK1-CE	30.00 [762]	68.4 [1737]	2.40 [61]	12.00 [305]	17.9 [455]	40.80 [1036]	8
FA2.5I-36MRMK1-CE	36.00 [914]	74.4 [1890]	1.40 [36]	14.00 [356]	20.9 [531]	46.80 [1189]	8

ITEM	QTY	SIZE	PART NO	DESCRIPTION
<p>THIS DOCUMENT CONTAINS CONFIDENTIAL AND TRADE SECRET INFORMATION IN THE PROPERTY OF INGERSOLL-RAND COMPANY, AND IS LOANED TO THE RECEIVER IN CONFIDENCE. THE RECEIVER BY ACCEPTANCE AND RETENTION OF THIS DOCUMENT ACCEPTS THE DOCUMENT IN CONFIDENCE AND AGREES THAT, EXCEPT AS AUTHORIZED BY WRITING BY INGERSOLL-RAND COMPANY, IT WILL NOT USE THE DOCUMENT OR ANY COPY THEREOF OR THE CONFIDENTIAL OR TRADE SECRET INFORMATION THEREIN (NOT COPY THE DOCUMENT, NOT DISCLOSE TO OTHERS WITHIN THE COMPANY OR THE CONFIDENTIAL OR TRADE SECRET INFORMATION THEREIN, AND IS UPON COMPLETION OF THE NEED TO RETURN THE DOCUMENT, OR UPON DEMAND, RETURN THE DOCUMENT, ALL COPIES THEREOF, AND ALL MATERIAL COPIED THEREFROM.</p>				
<p>WARNING: The export or reexport of this drawing or a product produced by this drawing is subject to U. S. Export Administration Regulations and other applicable governmental restrictions or regulations.</p>				
<p>Copyright © 2014 Ingersoll-Rand Company All Rights Reserved</p>				
<p><b>IR Ingersoll-Rand.</b></p>				<p>Ingersoll-Rand Company Tool &amp; Hoist Division Seattle, WA, U.S.A.</p>
<p>TITLE: <b>WINCH, AIR OUTLINE/DIMENSIONAL FA2.5I-MRMK1-CE</b></p>				
<p>UNLESS OTHERWISE SPECIFIED TOLERANCES ON DIMENSIONS ARE DECIMALS: 2 PLACES: .001 ± .02 3 PLACES: .000 ± .005 ANGLES: ± 0.5°</p>		<p>THIRD ANGLE PROJECTION DRAWN: <i>CN</i> DATE: 04/28/08 CHECKED: APPROVED: ENG APPV: <i>WD</i> 07/28/2008</p>		
<p>BREAK EDGES .010 SURF 128 ✓</p>		<p>SIZE: <b>C</b></p>	<p>PART NO. <b>382-35181</b></p>	<p>REV <b>A</b></p>
<p>SCALE: 1:8</p>		<p>DWG NO. <b>382-35181</b> SHEET 1 OF 1</p>		

DWG NO. 382-35181 SH. 1

4 3 2 1