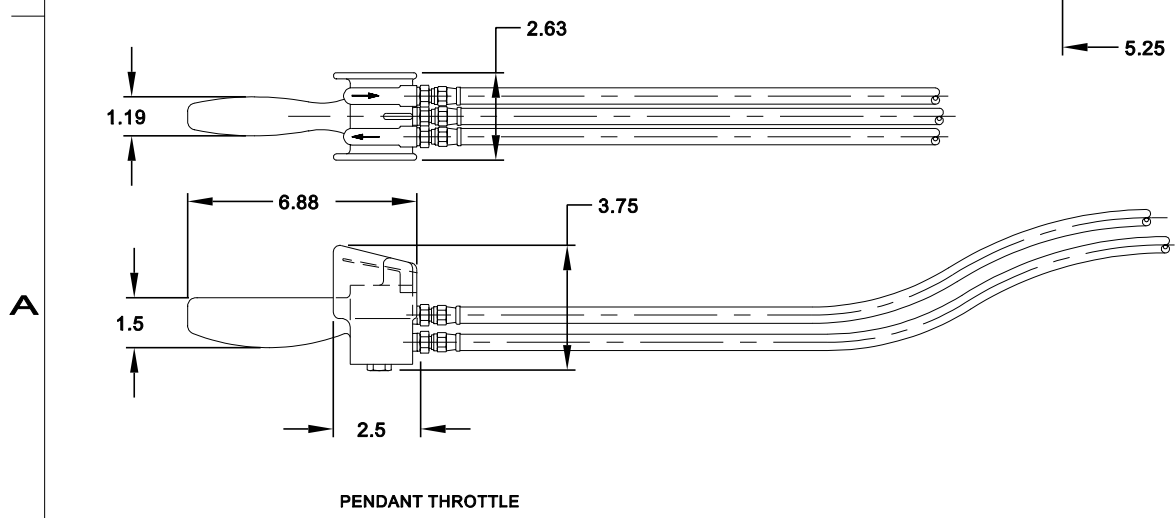
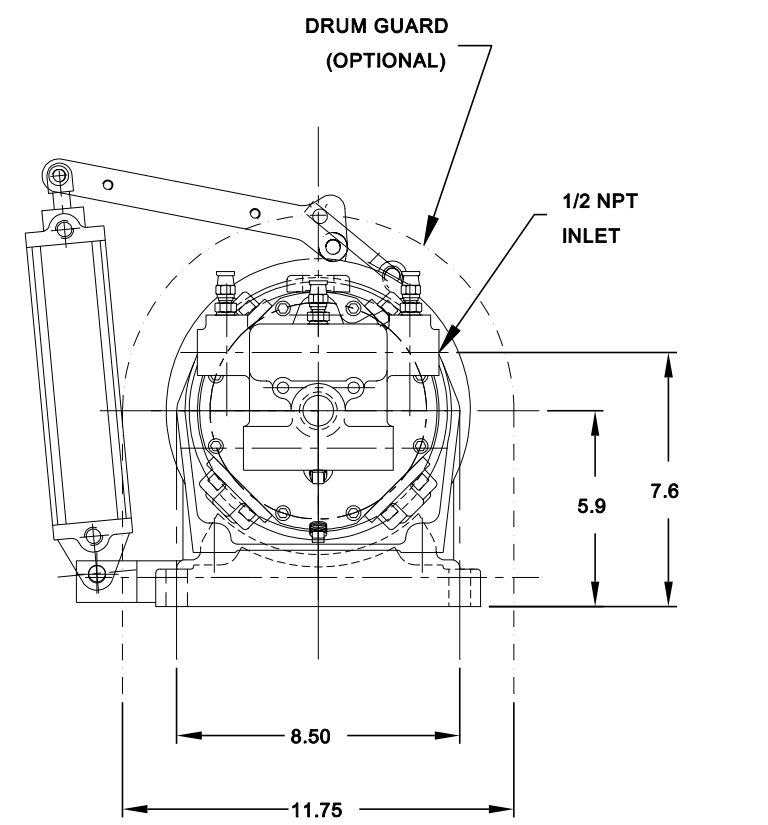
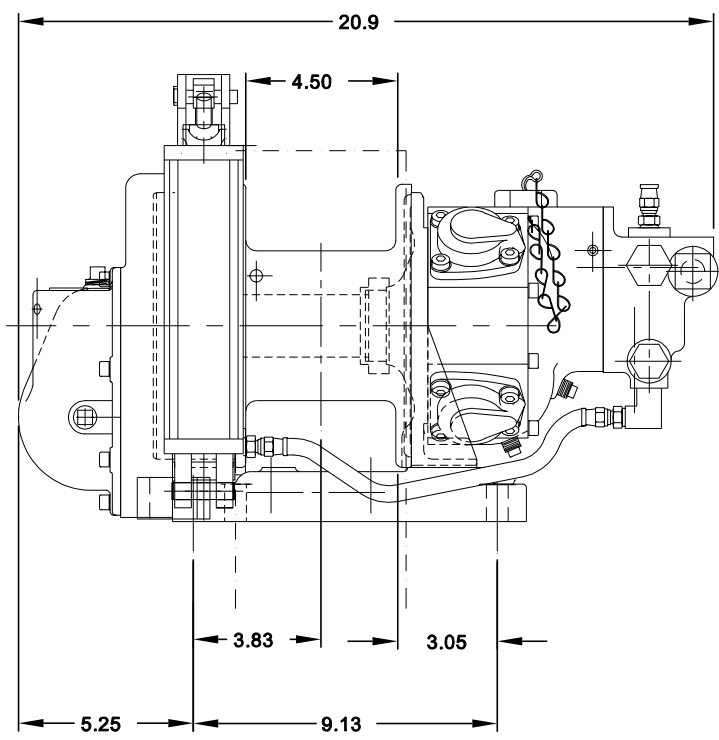
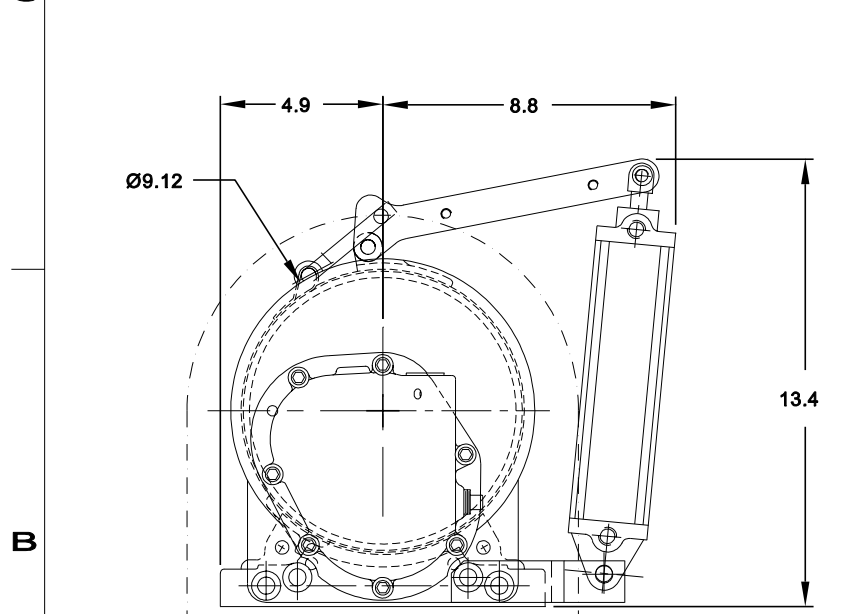
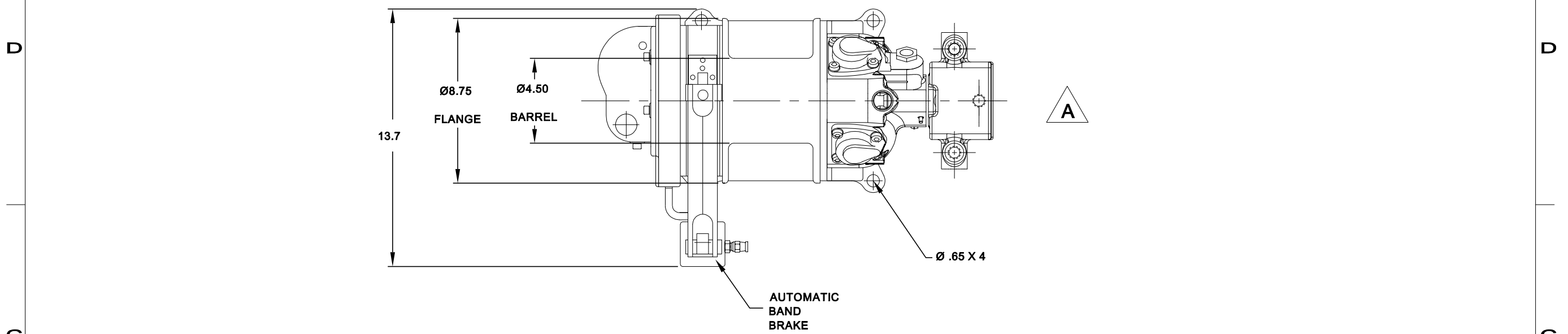


| REVISIONS | | | | |
|-----------|-----|---|----------|----------|
| ZONE | LTR | DESCRIPTION | DATE | APPROVED |
| | A | ADDED TOP VIEW, CHANGE TO C SIZE PER SE010945 | 06/01/13 | CN SRB |



DWG NO. 26328 SH. 1

| ITEM | QTY | SIZE | PART NO | DESCRIPTION |
|--|-----|--|---------|--|
| <small>THE DOCUMENT CONTAINS CONFIDENTIAL AND TRADE SECRET INFORMATION IN THE PROPERTY OF INGERSOLL-RAND COMPANY, AND IS LOANED TO THE RECEIVER IN CONFIDENCE. THE RECEIVER BY ACCEPTANCE AND RETENTION OF THE DOCUMENT ACCEPTS THE DOCUMENT IN CONFIDENCE AND AGREES THAT, EXCEPT AS AUTHORIZED BY WRITING BY INGERSOLL-RAND COMPANY, IT WILL NOT USE THE DOCUMENT OR ANY COPY THEREOF OR THE CONFIDENTIAL OR TRADE SECRET INFORMATION THEREIN (S) NOT COPY THE DOCUMENT, (S) NOT DISCLOSE TO OTHERS EITHER THE DOCUMENT OR THE CONFIDENTIAL OR TRADE SECRET INFORMATION THEREIN, AND (S) UPON COMPLETION OF THE NEED TO RETURN THE DOCUMENT, OR UPON DEMAND, RETURN THE DOCUMENT, ALL COPIES THEREOF, AND ALL MATERIAL COPIED THEREFROM.</small> | | | | |
| <small>UNLESS OTHERWISE SPECIFIED TOLERANCES ON DIMENSIONS ARE DECIMALS: 2 PLACES: (.XX) ± .02 3 PLACES: (.XXX) ± .005 ANGLES: ± 0.5°</small> | | | | |
| <small>THIRD ANGLE PROJECTION</small> | | | | |
| <small>BREAK EDGES: 010 SURF: 128 ✓</small> | | | | |
| <small>WARNING: The export or reexport of this drawing or a product produced by this drawing is subject to U. S. Export Administration Regulations and other applicable governmental restrictions or regulations.</small> | | | | |
| Copyright © 2013 Ingersoll-Rand Company All Rights Reserved | | | | |
| | | | | Ingersoll-Rand Company Tool & Hoist Division Seattle, WA, U.S.A. |
| TITLE OUTLINE/DIMENSIONAL AIR WINCH BU7APTAB | | | | |
| DRAWN: DCW DATE: 09/04/07 | | SIZE: C PART NO.: 26328 DWG NO.: 26328 REV: A | | |
| CHECKED: | | SCALE: 1:5 SHEET 1 OF 1 | | |
| APPROVED: | | ENG APPV: WO DATE: 09/10/07 | | |