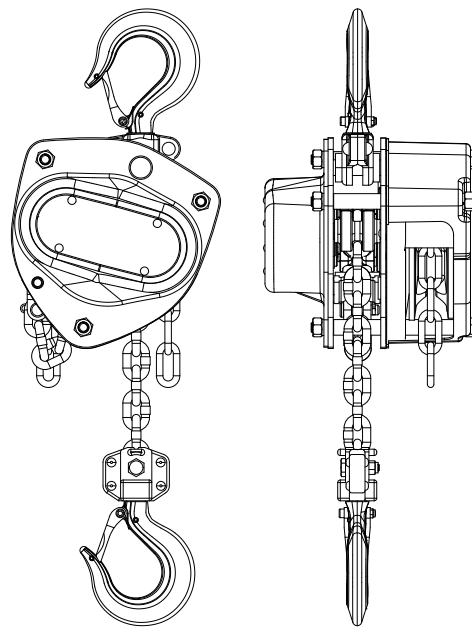


# Product Parts Information



---

## Manual Chain Hoist KM Series



(Dwg. MHP3261)



**Save These Instructions**

Only allow **Ingersoll Rand** trained technicians to perform maintenance on this product. For additional information contact **Ingersoll Rand** factory or nearest Distributor.

**For additional supporting documentation refer to Table 1 'Product Information Manuals' on page 2.**

**Manuals can be downloaded from <http://www.ingersollrandproducts.com>.**

The use of other than genuine **Ingersoll Rand** replacement parts may result in safety hazards, decreased performance and increased maintenance and will invalidate all warranties.

Original instructions are in English. Other languages are a translation of the original instructions.

Refer all communications to the nearest **Ingersoll Rand** Office or Distributor.

**Table 1: Product Information Manuals**

Publication	Part/Document Number	Publication	Part/Document Number
Product Safety Information Manual	48489231	Product Maintenance Information Manual	48496350
Product Information Manual	48489223		

## TABLE OF CONTENTS

Description	Page No.	Dwg. Name	Page No.
Parts Ordering Information .....	3		
Hoist Assembly Parts Drawing .....	4	(Dwg. MHP3260) .....	4
Hoist Assembly Parts List (0.25 TON to 2 TON) .....	5		
Hoist Assembly Parts List (3 TON to 20 TON) .....	6		
Top and Bottom Hook Assembly Drawings (5 and 7.5 Ton) .....	7	(Dwgs. MHP3264 and MHP3263) .....	7
Top and Bottom Hook Assembly Drawings (10 and 20 Ton) .....	8	(Dwgs. MHP3265 and MHP3262) .....	8
Top and Bottom Hook Parts List .....	9		

---

## PARTS ORDERING INFORMATION

---

These products are designed and constructed to provide long, trouble-free service. In time it may be necessary to order and install new parts to replace those that have been subjected to wear.

For your convenience and future reference, it is recommended that the following information be recorded.

**Model Number** \_\_\_\_\_

**Serial Number** \_\_\_\_\_

**Date Purchase** \_\_\_\_\_

When ordering replacement parts, please specify the following:

1. Complete model number and serial number as it appears on the data (name) plate.
2. Part number(s) and part description as shown in this manual.
3. Quantity required.

The data (name) plate is located on the product.

### NOTICE

- **Continuing improvement and advancement of design may cause changes to this equipment which are not included in this manual. Manuals are periodically revised to incorporate changes. Always check the manual edition number on the front cover for the latest issue.**
- **Sections of this manual may not apply to your product.**
- **The use of other than genuine Ingersoll Rand replacement parts may result in safety hazards, decreased performance and increased maintenance, and will invalidate all warranties.**

---

### ■ Return Goods Policy

**Ingersoll Rand** will not accept any returned goods for warranty or service unless prior arrangements have been made and written authorization has been provided from the location the goods were purchased.

Products that have been modified without **Ingersoll Rand** approval, mishandled or overloaded will not be repaired or replaced under warranty. A printed copy of the warranty that applies to this product is provided inside the back cover of the product information manual or in some cases the parts manual.

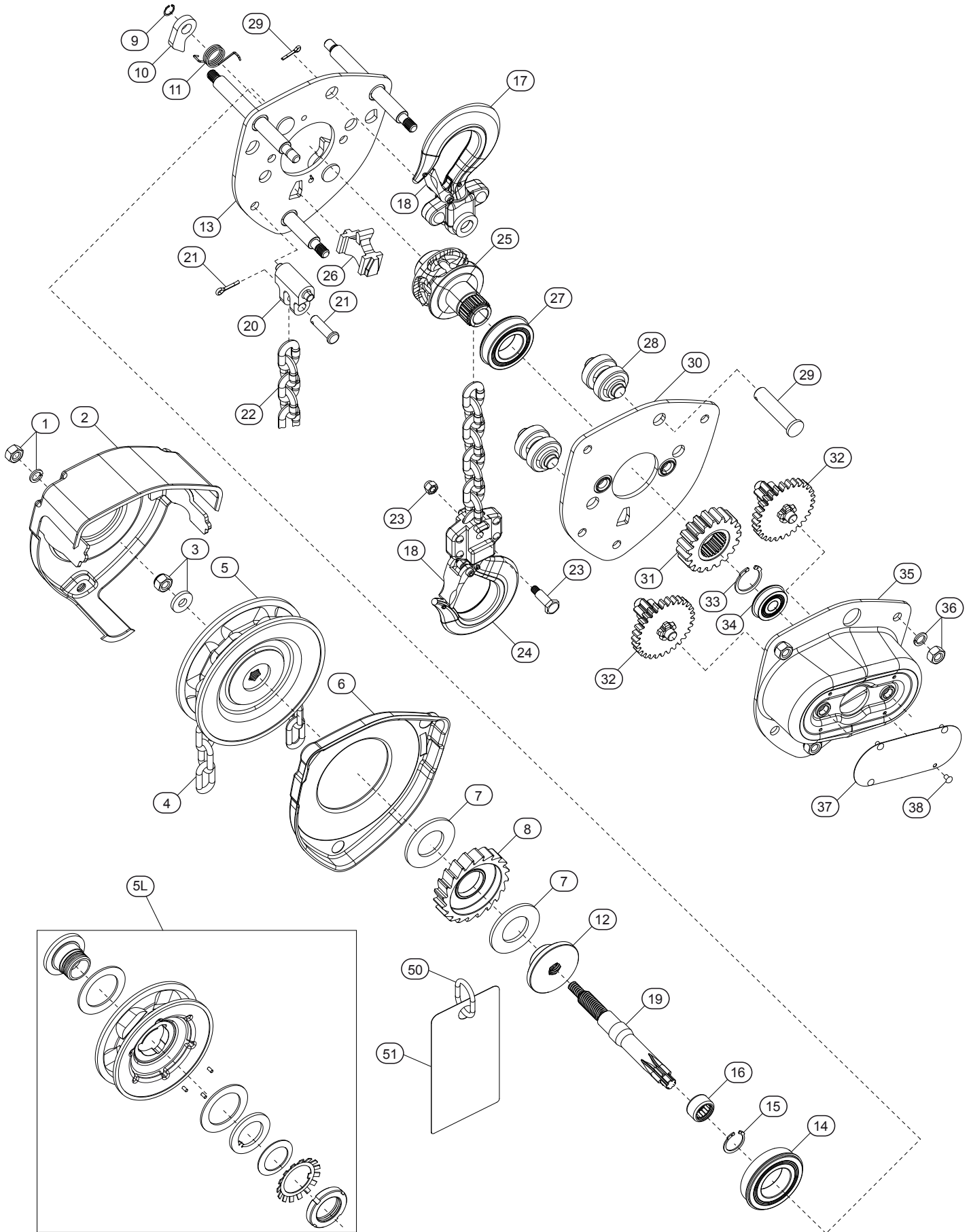
### ■ Disposal



When the life of the product has expired, it is recommended that it be disassembled, degreased and parts separated as to materials so that they may be recycled.

Refer all communications to the nearest **Ingersoll Rand** Office or Distributor.

# HOIST ASSEMBLY PARTS DRAWING



(Dwg. MHP3260)

## HOIST ASSEMBLY PARTS LIST (0.25 TON TO 2 TON)

Item No.	Description of Part	Total Qty.	Part Number				
			0.25 ton	0.5 ton	1 ton	1.5 ton	2 ton
1	Spring Washer & Locknut	3	48493621		48493639		48493647
2	Hand Wheel Cover	1	48493670	48493688	48493696	48493704	48493712
3	Wheel Stopper & Washer	1	48493738	48493746			
4	Hand Chain	AR	48487482†	48487490†	48487508†		
			48499578††	48499586††	48499594††		
5	Hand Wheel	1	48493753	48493761	48493779	48493787	48493795
5L	Hand Wheel with Overload Limiter Assembly	1	48493811	48493829	48493837	48493845	48493852
6	Support Plate	1	48493910	48493928	48493936	48493944	48493951
7	Brake Disc	1 set	48493977	48493985			48493993
8	Ratchet Disc	1	48494033	48494041	48494058		48494066
9	Retainer Ring I	2	48494082	48494090	48494108		
10	Pawl	2	48494116	48494124	48494132		
11	Pawl Spring	2	48494140	48494157	48494165		
12	Brake Hub	1	48494173	48494181	48494199		48494207
13	Side Plate A Assembly (includes item 14)	1	48494215	48494223	48494231	48494249	48494256
14	Caged Bearing	1	---				
15	Retainer Ring II	1	48494322	48494330			48494348
16	Caged Needle Bearings	1	48494355	48494363			48494371
17	Top Hook Assembly (Note 1)	1	48494389#	48494397#	48494405#	48494413#	48494421#
			48499693##	48499719##	48499735##	48499750##	48499776##
18	Latch Kit	1	48494488	48494496	48494504	48494512	48494520
19	Pinion Shaft	1	48494587	48494595	48494603	48494611	48494629
20	Anchor Hanger	1	48494645	48494652	48494660	48494678	48494686
21	Anchor Pin & Cotter Pin	1	48494702	48494710	48494728	48494736	48494744
22	Load Chain	AR	48487391	48487409	48487425	48487441	48487458
23	Load Pin & Nut	1	48494769	48494777	48494785	48494793	48494801
24	Bottom Hook Assembly (Note 2)	1	48494827#	48494835#	48494843#	48494850#	48494868#
			48499701##	48499727##	48499743##	48499768##	48499784##
25	Load Sheave	1	48494926	48494934	48494942	48494959	48494967
26	Chain Stopper	1	48494991	48495006	48495014	48495022	48495030
27	Caged Bearing	1	---				
28	Guide Roller	2	48495105	48495113	48495121	48495139	48495147
29	Hook Pin & Split Pin	1	48495162	48495170	48495188	48495196	48495204
30	Side Plate B Assembly (Includes item 27)	1	48495220	48495238	48495246	48495253	48495261
31	Load Gear	1	48495295	48495311	48495329	48495337	48495345
32	Disc Gear	2	48495378	48495386	48495394	48495402	48495410
33	Retainer Ring III	1	48495444	48495451		48495469	
34	Caged Bearing	1	---				
35	Gear Cover Assembly (Includes item 34)	1	48495535	48495543	48495550	48495568	48495576
36	Locknut & Washer	1	48495592	48495600			48495618
37	Nameplate	1	46817771 *	46817789 *	46817797 *	46817805 *	46817813 *
			48484687 **	48485114 **	48485122 **	48485130 **	48485148 **
38	Rivet	4	48495634	48495642	48495659		
39	Capscrew	1 set	---				
40	Locknut	1 set					
41	Top Hook Pin & Nut	1					
42	Bottom Idle Shaft	1					
43	Idle Sheave	1					
44	Spring Pin	2					
45	Top Idle Shaft	1					
46	Top Hook Shaft	1					
47	Bottom Hook Shaft	1					
48	Snap Ring I	1					
49	Snap Ring II	1					
50	Connecting Link	1	48496210				
51	Warning Tag	1	48488886				
52	Master Link (Note 3)	1	47512080001	47512081001	47512082001		

\* without overload clutch  
 \*\* with overload clutch  
 † standard hand chain

†† spark resistant hand chain  
 # with standard hook  
 ## with spark resistant standard hook

**Note 1:** Includes items 18, 29, 39, 40, 41, 42, 43, 44, 45, 46, 48 & 49. **Note 2:** includes items 18, 23, 39, 40, 42, 43 & 47. **Note 3:** Not illustrated **AR:** As Required

## HOIST ASSEMBLY PARTS LIST (3 TON TO 20 TON)

Item No.	Description of Part	Total Qty.	Part Number						
			3 ton	5 ton	7.5 ton	10 ton	20 ton		
1	Spring Washer & Locknut	3	48493662						
2	Hand Wheel Cover	1	48493720						
3	Wheel Stopper & Washer	1	48493746						
4	Hand Chain	AR	48487508†						
			48499594††						
5	Hand Wheel	1	48493803						
5L	Hand Wheel with Overload Limiter Assembly	1	48493860	48493878	48493886	48493894	48493902		
6	Support Plate	1	48493969						
7	Brake Disc	1 set	48493993						
8	Ratchet Disc	1	48494066						
9	Retainer Ring I	2	48494108						
10	Pawl	2	48494132						
11	Pawl Spring	2	48494165						
12	Brake Hub	1	48494207						
13	Side Plate A Assembly (includes item 14)	1	48494264	48494272					
14	Caged Bearing	1	---						
15	Retainer Ring II	1	48494348						
16	Caged Needle Bearings	1	48494371						
17	Top Hook Assembly (Note 1)	1	48494439#	48494447#	48494454#	48494462#	48494470#		
			48499792##	48499818##	---	48499834##	---		
18	Latch Kit	1	48494538	48494546	48494553	48494561	48494579		
19	Pinion Shaft	1	48494637						
20	Anchor Hanger	1	48494694						
21	Anchor Pin & Cotter Pin	1	48494751						
22	Load Chain	AR	48487474	48487466					
23	Load Pin & Nut	1	48494819	---					
24	Bottom Hook Assembly (Note 2)	1	48494876#	48494884#	48494892#	48494900#	48494918#		
			48499800##	48499826##	---	48499842##	---		
25	Load Sheave	1	48494975	48494983					
26	Chain Stopper	1	48495048	48495055					
27	Caged Bearing	1	---						
28	Guide Roller	2	48495154						
29	Hook Pin & Split Pin	1	48495212						
30	Side Plate B Assembly (Includes item 27)	1	48495279	48495287					
31	Load Gear	1	48495352	48495360					
32	Disc Gear	2	48495428	48495436					
33	Retainer Ring III	1	48495477						
34	Caged Bearing	1	---						
35	Gear Cover Assembly (Includes item 34)	1	48495584						
36	Locknut & Washer	1	48495626						
37	Nameplate	1	46817839 *	46817821 *	48485197 *	48485205 *	48485221 *		
			48485262 **	48485155 **	48485270 **	48485288 **	48485304 **		
38	Rivet	4	48495659						
39	Capscrew	1 set	---	---	---	---	---		
40	Locknut	1 set							
41	Top Hook Pin & Nut	1						48495782	48495857
42	Bottom Idle Shaft	1							
43	Idle Sheave	1							
44	Spring Pin	2							
45	Top Idle Shaft	1							
46	Top Hook Shaft	1							
47	Bottom Hook Shaft	1							
48	Snap Ring I	1							
49	Snap Ring II	1							
50	Connecting Link	1	48496210						
51	Warning Tag	1	48488886						
52	Master Link (Note 3)	1	47512082001						

\* without overload clutch

\*\* with overload clutch

† standard hand chain

†† spark resistant hand chain

# with standard hook

## with spark resistant standard hook

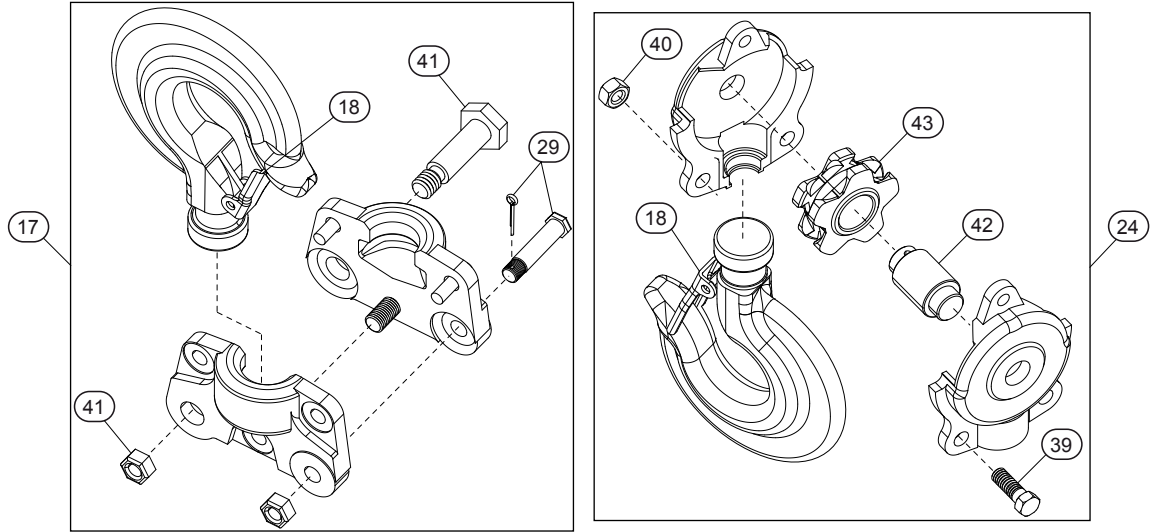
**Note 1:** Includes items 18, 29, 39, 40, 41, 42, 43, 44, 45, 46, 48 & 49.

**Note 2:** includes items 18, 23, 39, 40, 42, 43 & 47. **Note 3:** Not illustrated.

**AR:** As Required

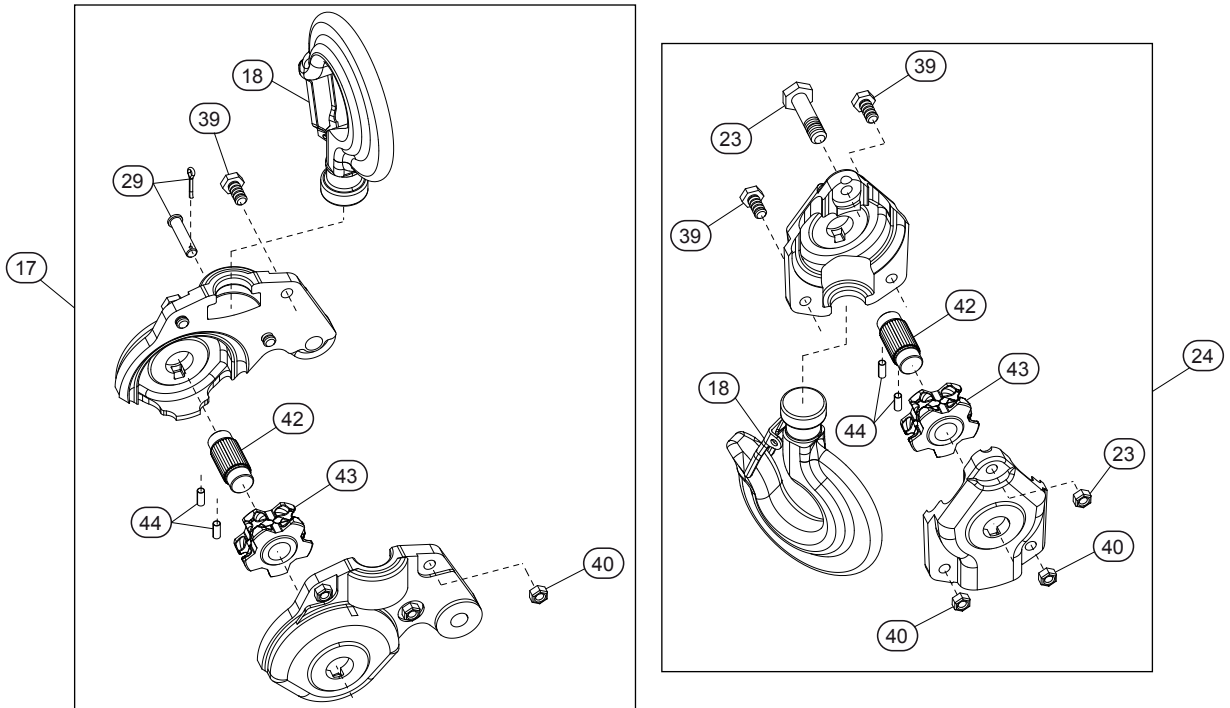
# TOP AND BOTTOM HOOK ASSEMBLY DRAWINGS (5 AND 7.5 TON)

## 5 Ton Top and Bottom Hook



(Dwg. MHP3264)

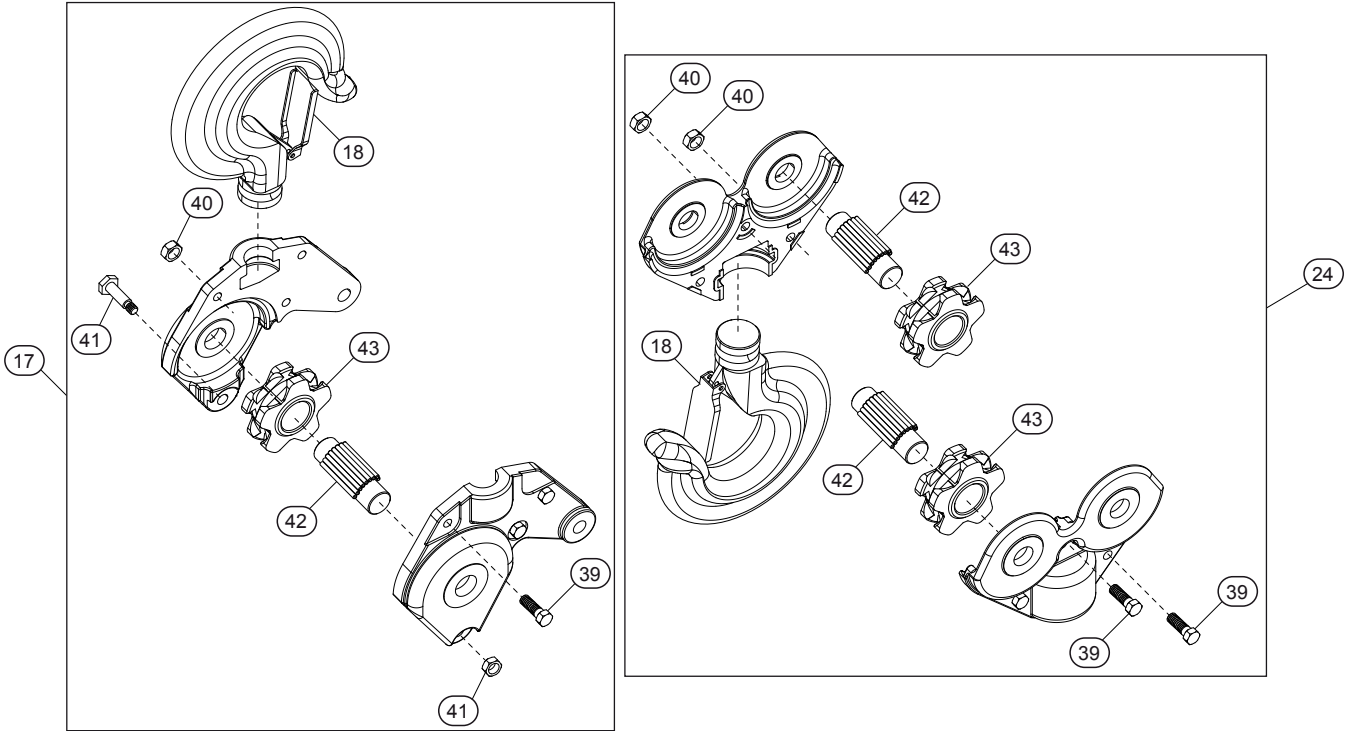
## 7.5 Ton Top and Bottom Hook



(Dwg. MHP3263)

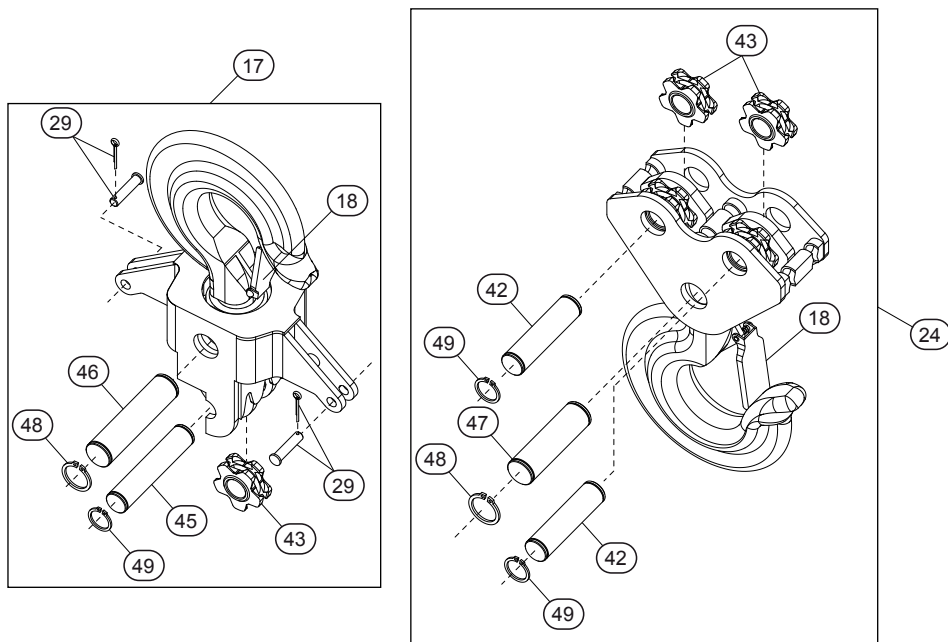
# TOP AND BOTTOM HOOK ASSEMBLY DRAWINGS (10 AND 20 TON)

## 10 Ton Top and Bottom Hook



(Dwg. MHP3265)

## 20 Ton Top and Bottom Hook



(Dwg. MHP3262)



## TOP AND BOTTOM HOOK PARTS LIST

Item No.	Description of Part	Total Qty.	Part Number				
			3 ton	5 ton	7.5 ton	10 ton	20 ton
17	Top Hook Assembly ( <b>Note 1</b> )	1	48494439	48494447	48494454	48494462	48494470
18	Latch Kit	1	48494538	48494546	48494553	48494561	48494579
23	Load Pin & Nut	1	48494819	---			
24	Bottom Hook Assembly ( <b>Note 2</b> )	1	48494876	48494884	48494892	48494900	48494918
29	Hook Pin & Split Pin	1	48495212				
39	Capscrew	1 set	---	---	---	---	---
40	Locknut	1 set		---			
41	Top Hook Pin & Nut	1		48495782		48495857	
42	Bottom Idle Shaft	1		---			
43	Idle Sheave	1		---			
44	Spring Pin	2		---			
47	Bottom Hook Shaft	1		---			
48	Snap Ring I	1		---			
49	Snap Ring II	1		---			

**Note 1:** Includes items 18, 29, 39, 40, 41, 42, 43, 44, 45, 46, 48 & 49.

**Note 2:** includes items 18, 23, 39, 40, 42, 43 & 47.

**Note 3:** Not illustrated.

**AR:** As Required

---

---

**SERVICE NOTES**

---

---

---

**SERVICE NOTES**

---

