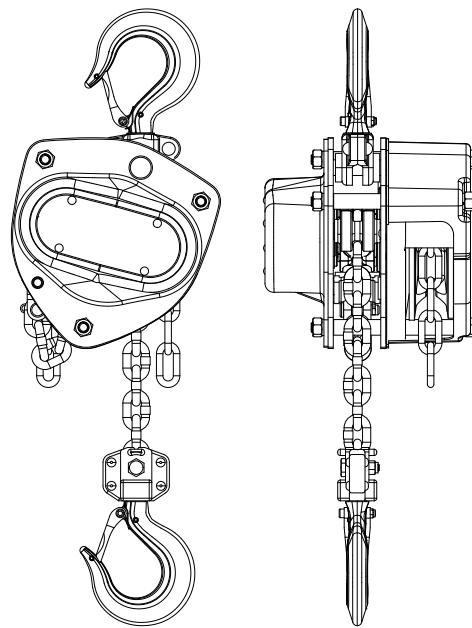


Product Parts Information



Manual Chain Hoist KMX Series



(Dwg. MHP3261)



Save These Instructions



Form 47589065001
Edition 1
November 2016
© 2016 Ingersoll Rand

Only allow **Ingersoll Rand** trained technicians to perform maintenance on this product. For additional information contact **Ingersoll Rand** factory or nearest Distributor.

For additional supporting documentation refer to Table 1 'Product Information Manuals' on page 2.

Manuals can be downloaded from ingersollrandproducts.com

The use of other than genuine **Ingersoll Rand** replacement parts may result in safety hazards, decreased performance and increased maintenance and will invalidate all warranties.

Original instructions are in English. Other languages are a translation of the original instructions.

Refer all communications to the nearest **Ingersoll Rand** Office or Distributor.

Table 1: Product Information Manuals

Publication	Part/Doc Number	Publication	Part/Doc Number
Product Safety Information Manual	48489231	Product Maintenance Manual	48496350
	47589199001	Product Information Manual	48489223

TABLE OF CONTENTS

Description	Page No.	Dwg. Name	Page No.
Parts Ordering Information	3		
Hoist Assembly Parts Drawing	4	(Dwg. MHP3260)	4
Hoist Assembly Parts List (0.5 TON to 2 TON)	5		
Hoist Assembly Parts List (3 TON to 20 TON)	6		
Top and Bottom Hook Assembly Drawings (5 and 7.5 Ton)	7	(Dwgs. MHP3264 and MHP3263)	7
Top and Bottom Hook Assembly Drawings (10 and 20 Ton)	8	(Dwgs. MHP3265 and MHP3262)	8
Top and Bottom Hook Parts List	9		

PARTS ORDERING INFORMATION

These products are designed and constructed to provide long, trouble-free service. In time it may be necessary to order and install new parts to replace those that have been subjected to wear.

For your convenience and future reference, it is recommended that the following information be recorded.

Model Number _____

Serial Number _____

Date Purchase _____

When ordering replacement parts, please specify the following:

1. Complete model number and serial number as it appears on the data (name) plate.
2. Part number(s) and part description as shown in this manual.
3. Quantity required.

The data (name) plate is located on the product.

NOTICE

- **Continuing improvement and advancement of design may cause changes to this equipment which are not included in this manual. Manuals are periodically revised to incorporate changes. Always check the manual edition number on the front cover for the latest issue.**
- **Sections of this manual may not apply to your product.**
- **The use of other than genuine Ingersoll Rand replacement parts may result in safety hazards, decreased performance and increased maintenance, and will invalidate all warranties.**

■ Return Goods Policy

Ingersoll Rand will not accept any returned goods for warranty or service unless prior arrangements have been made and written authorization has been provided from the location the goods were purchased.

Products that have been modified without **Ingersoll Rand** approval, mishandled or overloaded will not be repaired or replaced under warranty. A printed copy of the warranty that applies to this product is provided inside the back cover of the product information manual or in some cases the parts manual.

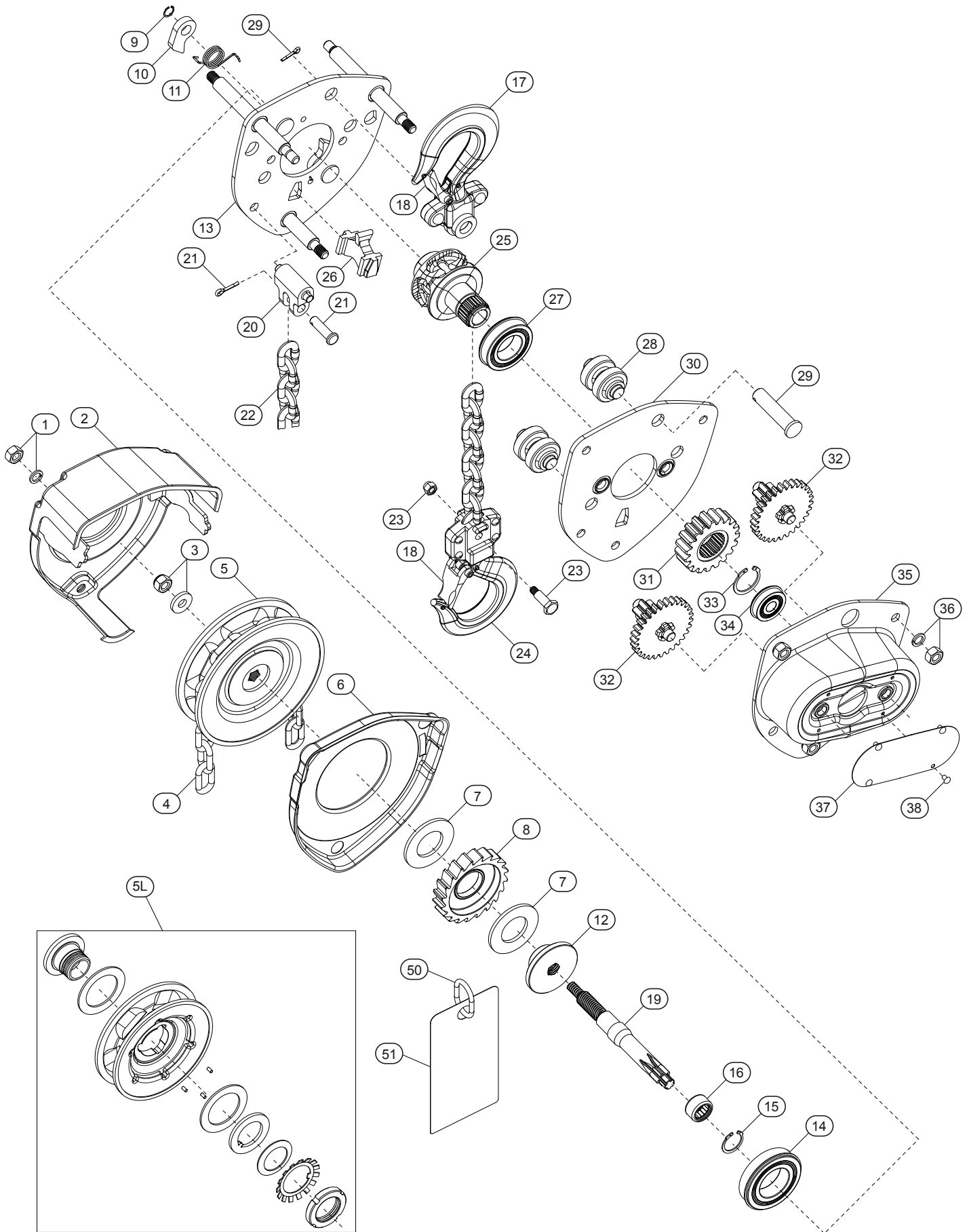
■ Disposal



When the life of the product has expired, it is recommended that it be disassembled, degreased and parts separated as to materials so that they may be recycled.

Refer all communications to the nearest **Ingersoll Rand** Office or Distributor.

HOIST ASSEMBLY PARTS DRAWING



(Dwg. MHP3260)

HOIST ASSEMBLY PARTS LIST (0.5 TON TO 2 TON)

Item No.	Description of Part	Total Qty.	Part Number			
			0.5 ton	1 ton	1.5 ton	2 ton
1	Spring Washer & Locknut	3	---	---	---	---
2	Hand Wheel Cover	1	---	---	---	---
3	Wheel Stopper & Washer	1	---			
4	Hand Chain	AR	47580976001			
5	Hand Wheel	1	---	---	---	---
5L	Hand Wheel with Overload Limiter Assembly	1	---	---	---	---
6	Support Plate	1	---	---	---	---
7	Brake Disc	1 set	---			
8	Ratchet Disc	1	---	---	---	---
9	Retainer Ring I	2	---	---		
10	Pawl	2	---	---		
11	Pawl Spring	2	---	---		
12	Brake Hub	1	---	---	---	---
13	Side Plate A Assembly (includes item 14)	1	---	---	---	---
14	Caged Bearing	1	---			
15	Retainer Ring II	1	---			---
16	Caged Needle Bearings	1	---			
17	Top Hook Assembly (Note 1)	1	47580906001	47581329001	47581366001	47581788001
18	Latch Kit	1	47580910001	47581333001	47581371001	47581793001
19	Pinion Shaft	1	---	---	---	---
20	Anchor Hanger	1	---	---	---	---
21	Anchor Pin & Cotter Pin	1	---	---	---	---
22	Load Chain	AR	---	---	---	---
23	Load Pin & Nut	1	---	---	---	---
24	Bottom Hook Assembly (Note 2)	1	47580915001	47581339001	47581376001	47581795001
25	Load Sheave	1	---	---	---	---
26	Chain Stopper	1	---	---	---	---
27	Caged Bearing	1	---			
28	Guide Roller	2	---	---	---	---
29	Hook Pin & Split Pin	1	---	---	---	---
30	Side Plate B Assembly (Includes item 27)	1	---	---	---	---
31	Load Gear	1	---	---	---	---
32	Disc Gear	2	---	---	---	---
33	Retainer Ring III	1	---		---	
34	Caged Bearing	1	---			
35	Gear Cover Assembly (Includes item 34)	1	---	---	---	---
36	Locknut & Washer	3	---			
37	Nameplate	1	47591309001*	47591314001*	47591315001*	47591316001*
			47591322001**	47591323001**	47591324001**	47591325001**
38	Rivet	4	---	---		
39	Capscrew	1 set				
40	Locknut	1 set				
41	Top Hook Pin & Nut	1				
42	Bottom Idle Shaft	1				
43	Idle Sheave	1				
44	Spring Pin	2				
45	Top Idle Shaft	1				
46	Top Hook Shaft	1				
47	Bottom Hook Shaft	1				
48	Snap Ring I	1				
49	Snap Ring II	1				
50	Connecting Link	1				
51	Warning Tag	1				
52	Master Link (Note 3)	1	---	---		

* without overload clutch

** with overload clutch

Note 1: Includes items 18, 29, 39, 40, 41, 42, 43, 44, 45, 46, 48 & 49.

Note 2: includes items 18, 23, 39, 40, 42, 43 & 47.

Note 3: Not illustrated.

AR: As Required

HOIST ASSEMBLY PARTS LIST (3 TON TO 20 TON)

Item No.	Description of Part	Total Qty.	Part Number				
			3 ton	5 ton	7.5 ton	10 ton	20 ton
1	Spring Washer & Locknut	3	---				
2	Hand Wheel Cover	1	---				
3	Wheel Stopper & Washer	1	---				
4	Hand Chain	AR	47580976001				
5	Hand Wheel	1	---				
5L	Hand Wheel with Overload Limiter Assembly	1	---	---	---	---	---
6	Support Plate	1	---				
7	Brake Disc	1 set	---				
8	Ratchet Disc	1	---				
9	Retainer Ring I	2	---				
10	Pawl	2	---				
11	Pawl Spring	2	---				
12	Brake Hub	1	---				
13	Side Plate A Assembly (includes item 14)	1	---	---			
14	Caged Bearing	1	---				
15	Retainer Ring II	1	---				
16	Caged Needle Bearings	1	---				
17	Top Hook Assembly (Note 1)	1	47581894001	47582024001	47582554001	47582582001	47582692001
18	Latch Kit	1	47581892001	47582015001	47582548001	47582584001	47582690001
19	Pinion Shaft	1	---				
20	Anchor Hanger	1	---				
21	Anchor Pin & Cotter Pin	1	---				
22	Load Chain	AR	---	---			
23	Load Pin & Nut	1	---	---			
24	Bottom Hook Assembly (Note 2)	1	47581888001	47581907001	47582543001	47582592001	47582683001
25	Load Sheave	1	---	---			
26	Chain Stopper	1	---	---			
27	Caged Bearing	1	---				
28	Guide Roller	2	---				
29	Hook Pin & Split Pin	1	---				
30	Side Plate B Assembly (Includes item 27)	1	---	---			
31	Load Gear	1	---	---			
32	Disc Gear	2	---	---			
33	Retainer Ring III	1	---				
34	Caged Bearing	1	---				
35	Gear Cover Assembly (Includes item 34)	1	---	---			
36	Locknut & Washer	3	---				
37	Nameplate	1	47591317001*	47591318001*	47591319001*	47591320001*	47591321001*
			47591326001**	47591327001**	47591328001**	47591329001**	47591330001**
38	Rivet	4	---				
39	Capscrew	1 set	---	---	---	---	---
40	Locknut	1 set		---	---	---	---
41	Top Hook Pin & Nut	1		---	---	---	---
42	Bottom Idle Shaft	1		---	---	---	---
43	Idle Sheave	1		---	---	---	---
44	Spring Pin	2		---	---	---	---
45	Top Idle Shaft	1		---	---	---	---
46	Top Hook Shaft	1		---	---	---	---
47	Bottom Hook Shaft	1		---	---	---	---
48	Snap Ring I	1		---	---	---	---
49	Snap Ring II	1		---	---	---	---
50	Connecting Link	1		---			
51	Warning Tag	1	---				
52	Master Link (Note 3)	1	---				

* without overload clutch

** with overload clutch

Note 1: Includes items 18, 29, 39, 40, 41, 42, 43, 44, 45, 46, 48 & 49.

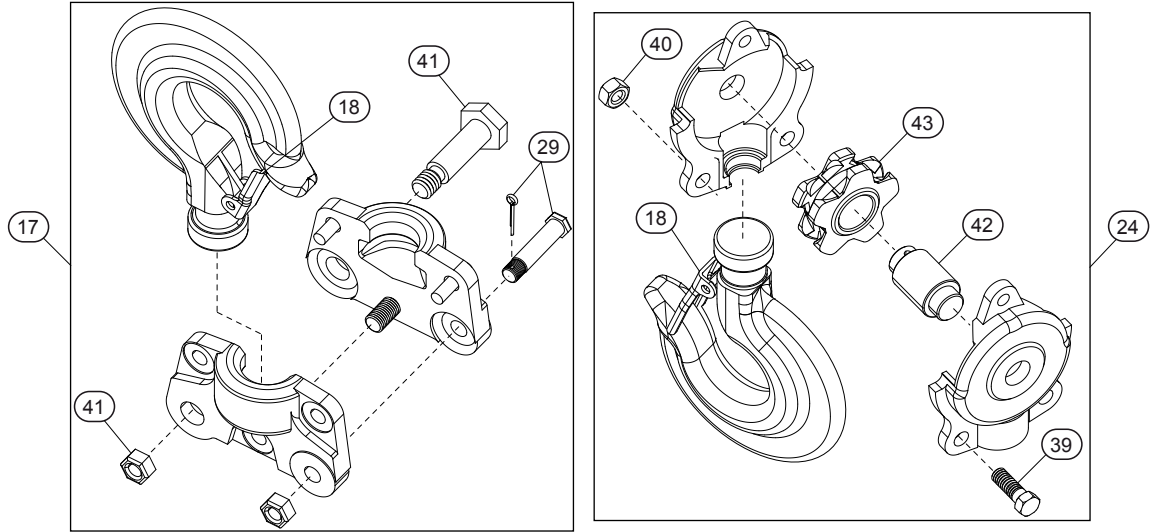
Note 2: includes items 18, 23, 39, 40, 42, 43 & 47.

Note 3: Not illustrated.

AR: As Required

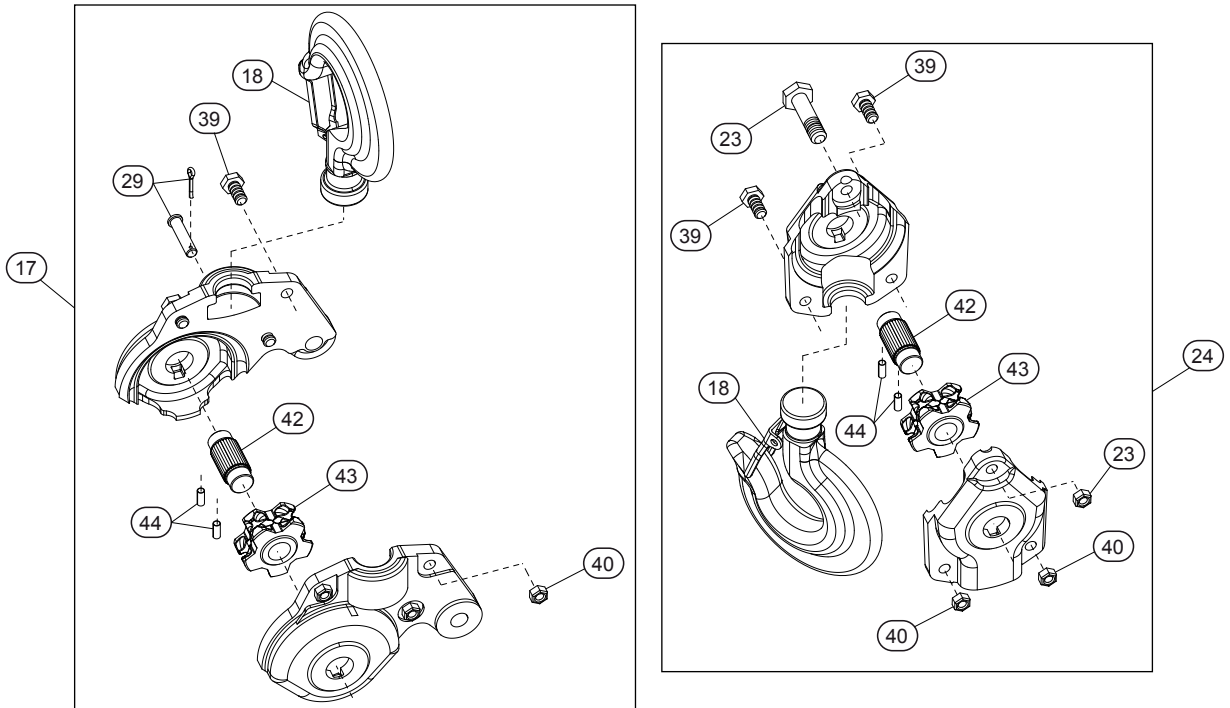
TOP AND BOTTOM HOOK ASSEMBLY DRAWINGS (5 AND 7.5 TON)

5 Ton Top and Bottom Hook



(Dwg. MHP3264)

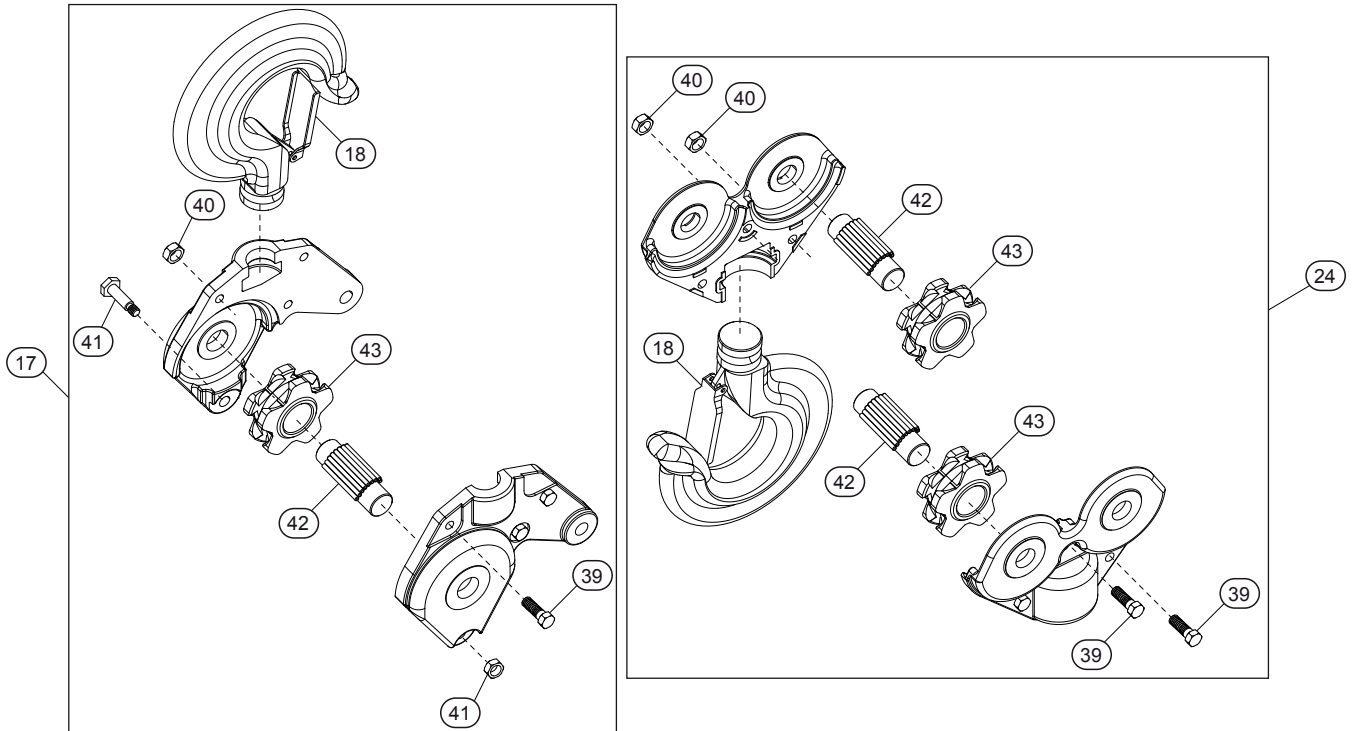
7.5 Ton Top and Bottom Hook



(Dwg. MHP3263)

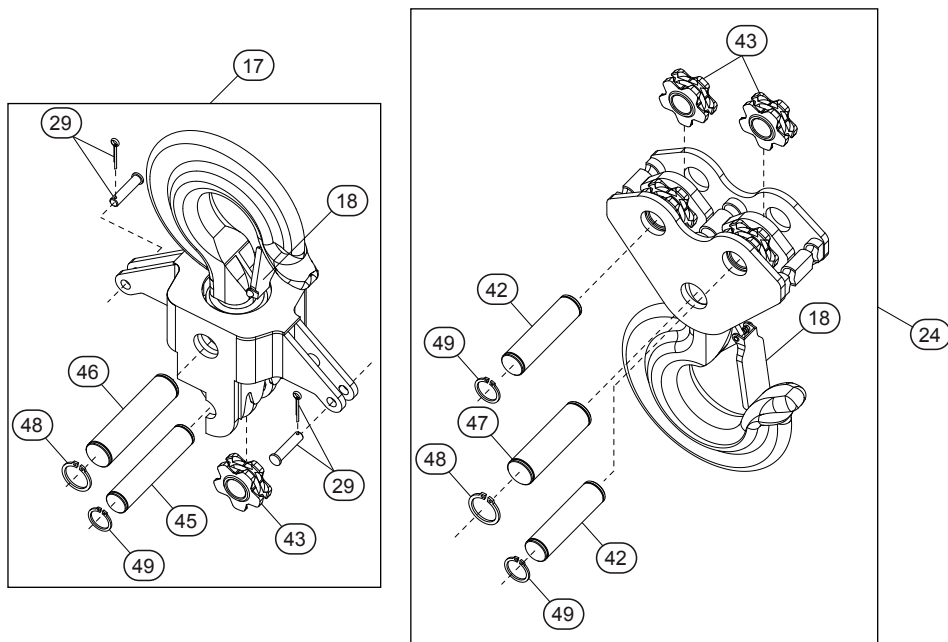
TOP AND BOTTOM HOOK ASSEMBLY DRAWINGS (10 AND 20 TON)

10 Ton Top and Bottom Hook



(Dwg. MHP3265)

20 Ton Top and Bottom Hook



(Dwg. MHP3262)

TOP AND BOTTOM HOOK PARTS LIST

Item No.	Description of Part	Total Qty.	Part Number				
			3 ton	5 ton	7.5 ton	10 ton	20 ton
17	Top Hook Assembly (Note 1)	1	47581894001	47582024001	47582554001	47582582001	4782692001
18	Latch Kit	1	47581892001	47582015001	47582548001	47582584001	47582690001
23	Load Pin & Nut	1	---	---			
24	Bottom Hook Assembly (Note 2)	1	47581888001	47581907001	47582543001	47582592001	47582683001
29	Hook Pin & Split Pin	1	---				
39	Capscrew	1 set	---	---	---	---	---
40	Locknut	1 set	---	---	---	---	---
41	Top Hook Pin & Nut	1	---	---	---	---	---
42	Bottom Idle Shaft	1	---	---	---	---	---
43	Idle Sheave	1	---	---	---	---	---
44	Spring Pin	2	---	---	---	---	---
47	Bottom Hook Shaft	1	---	---	---	---	---
48	Snap Ring I	1	---	---	---	---	---
49	Snap Ring II	1	---	---	---	---	---

Note 1: Includes items 18, 29, 39, 40, 41, 42, 43, 44, 45, 46, 48 & 49.

Note 2: includes items 18, 23, 39, 40, 42, 43 & 47.

Note 3: Not illustrated.

AR: As Required

SERVICE NOTES

SERVICE NOTES
