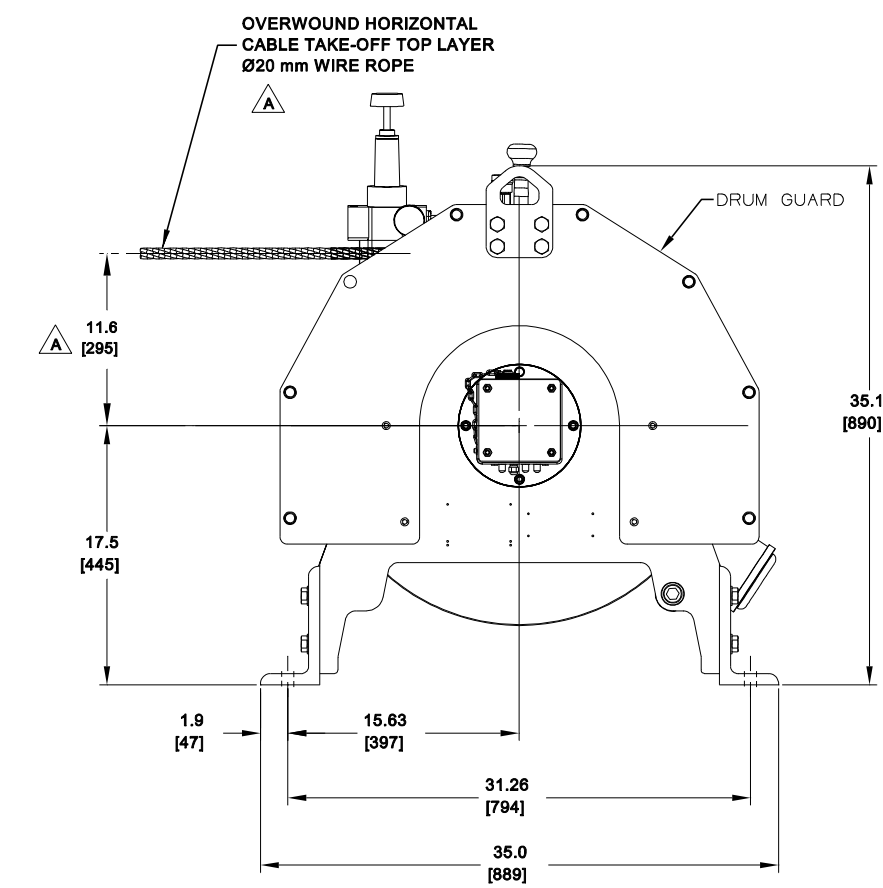
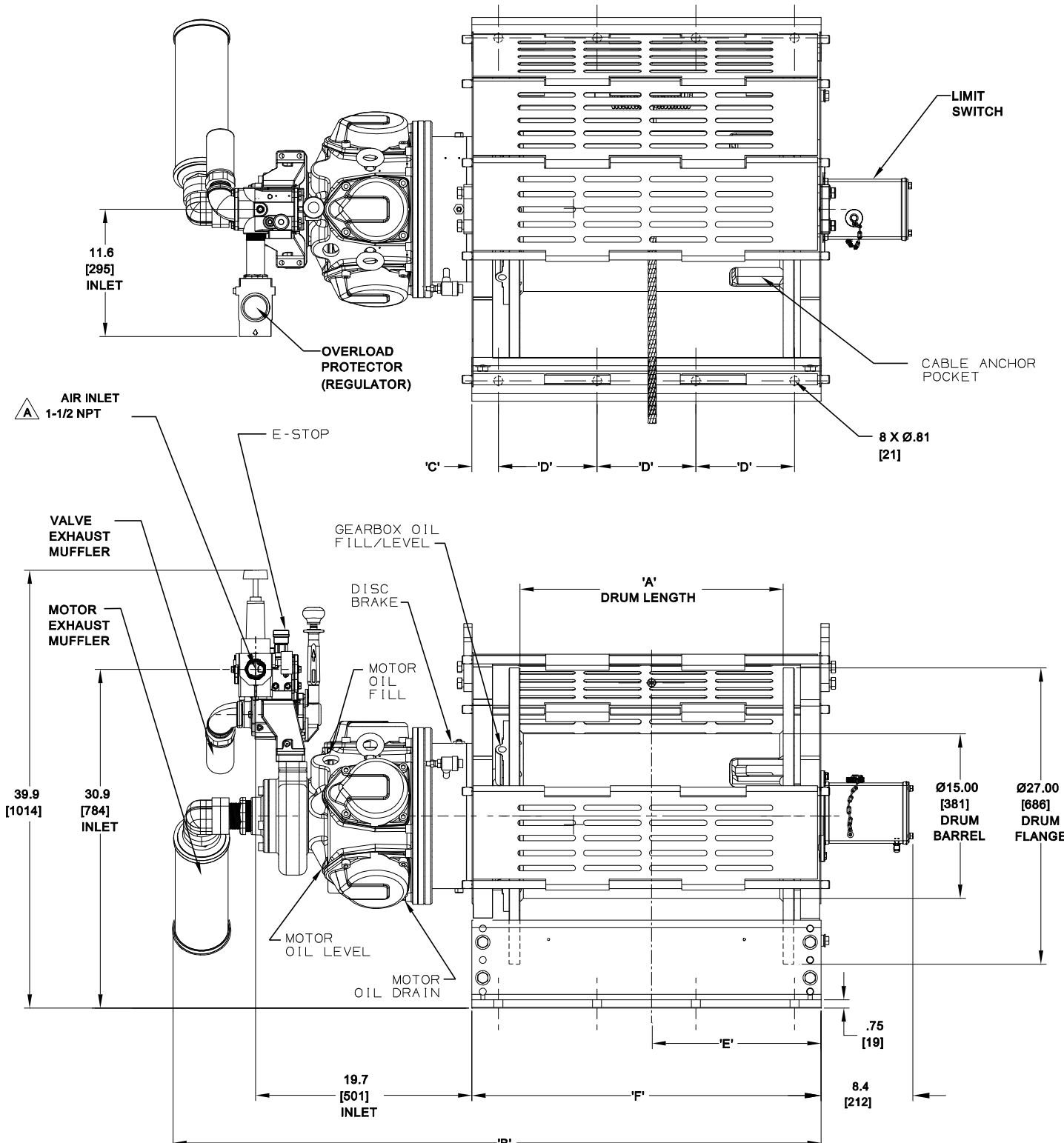


REVISIONS				
ZONE	LTR	DESCRIPTION	DATE	APPROVED
	A	20 mm WAS 3/4". 11.6 WAS 12.1. REV AIR INLET. SE009719	10/27/11	WEO <i>WD</i>



MODEL	DIM 'A'	DIM 'B'	DIM 'C'	DIM 'D'	DIM 'E'	DIM 'F'
FA5i-12XK1-CE	12.00 [305]	51.1 [1298]	2.92 [74]	6.00 [152]	9.5 [241]	23.84 [606]
FA5i-16XK1-CE	16.00 [406]	51.1 [1298]	2.54 [65]	6.25 [159]	11.5 [292]	23.84 [606]
FA5i-20XK1-CE	20.00 [508]	55.1 [1400]	1.17 [30]	8.50 [216]	13.5 [343]	27.84 [707]
FA5i-24XK1-CE	24.00 [610]	59.1 [1501]	2.42 [61]	9.00 [229]	15.5 [394]	31.84 [809]
FA5i-30XK1-CE	30.00 [762]	65.1 [1654]	.92 [23]	12.00 [305]	18.5 [470]	37.84 [961]
FA5i-36XK1-CE	36.00 [914]	71.1 [1806]	.92 [23]	14.00 [356]	21.5 [546]	43.84 [1114]

**NOTE:**  
 1. DIMENSIONS SHOWN ARE IN INCHES  
 DIMENSIONS IN BRACKETS [ ] ARE mm.

**PERFORMANCE SPECIFICATIONS:**  
 RATED LINE PULL - 11000 [5000 kg] ± TOP LAYER  
 RATED LINE SPEED - 54 fpm [16 m/min] ± TOP LAYER  
 INLET PRESSURE - 80 psi [5.5 bar] RUNNING  
 AVG AIR CONSUMPTION - 700 scfm [19.9 m3/min]

ITEM	QTY	SIZE	PART NO	DESCRIPTION
<p>THE DOCUMENT CONTAINS CONFIDENTIAL AND TRADE SECRET INFORMATION, IS THE PROPERTY OF INGERSOLL-RAND COMPANY, AND IS LOANED TO THE RECIPIENT IN CONFIDENCE. THE RECIPIENT BY ACCEPTANCE AND RETENTION OF THIS DOCUMENT ACCEPTS THE DOCUMENT IN CONFIDENCE AND AGREES THAT, EXCEPT AS AUTHORIZED BY WRITING BY INGERSOLL-RAND COMPANY, IT WILL NOT USE THE DOCUMENT OR ANY COPY THEREOF OR THE CONFIDENTIAL OR TRADE SECRET INFORMATION THEREIN (NOT COPY THE DOCUMENT, NOT DISCLOSE TO OTHERS WITHIN THE DOCUMENT OR THE CONFIDENTIAL OR TRADE SECRET INFORMATION THEREIN, AND IS OBLIGATED TO RETURN TO THE DOCUMENT, OR UPON DEMAND, RETURN THE DOCUMENT, ALL COPIES THEREOF, AND ALL MATERIALS DERIVED THEREFROM.</p> <p>UNLESS OTHERWISE SPECIFIED TOLERANCES ON DIMENSIONS ARE DECIMALS:            2 PLACES: .001 ± .02            3 PLACES: .000 ± .005            ANGLES: ± 0.5°</p> <p>BREAK EDGES .010 SURF 128 ✓</p>				
<p>WARNING: The export or reexport of this drawing or a product produced by this drawing is subject to U. S. Export Administration Regulations and other applicable governmental restrictions or regulations.</p> <p>Copyright © 2011 Ingersoll-Rand Company All Rights Reserved</p> <p><b>IR Ingersoll-Rand.</b>            Ingersoll-Rand Company            Tool &amp; Hoist Division            Seattle, WA, U.S.A.</p>				
<p>TITLE  <b>WINCH, AIR            OUTLINE/DIMENSIONAL            FA5i-XXK1-CE</b></p>				<p>REV  <b>A</b></p>
<p>APPROVED  <b>AEW</b> 6/15/09</p>		<p>SIZE  <b>C</b></p>	<p>PART NO.  <b>382-35158</b></p>	<p>SCALE: 1:8            SHEET 1 OF 1</p>

DWG NO. 382-35158  
 SH. 1