

REVISIONS					
ZONE	LTR	DESCRIPTION	DATE	APPROVED	
	A	ADD 3-WAY VALVE. SE011385	01/20/14	WEO	W

NOTE:

1. DIMENSIONS SHOWN ARE IN INCHES
DIMENSIONS IN BRACKETS [] ARE IN mm

PERFORMANCE SPECIFICATIONS:

RATED LINE PULL MAN-RIDER - 3,180 lbs [1,445kg] ± TOP LAYER
 RATED LINE SPEED MAN RIDER- 75 fpm [23 m/min] ± TOP LAYER
 RATED LINE PULL UTILITY - 4,400 lbs [2,000kg] ± TOP LAYER
 RATED LINE SPEED UTILITY- 51 fpm [16 m/min] ± TOP LAYER
 INLET PRESSURE - 90 psi [6.3 bar] RUNNING
 AVERAGE AIR CONSUMPTION - 335 cfm [9.5 m3/min]

D

D

C

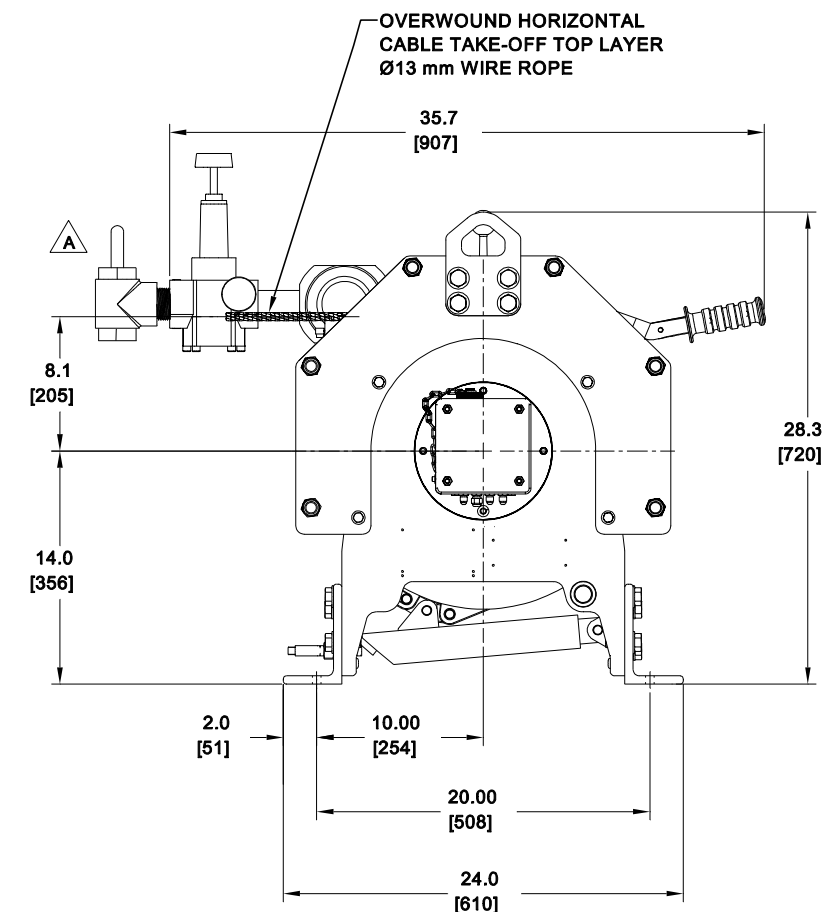
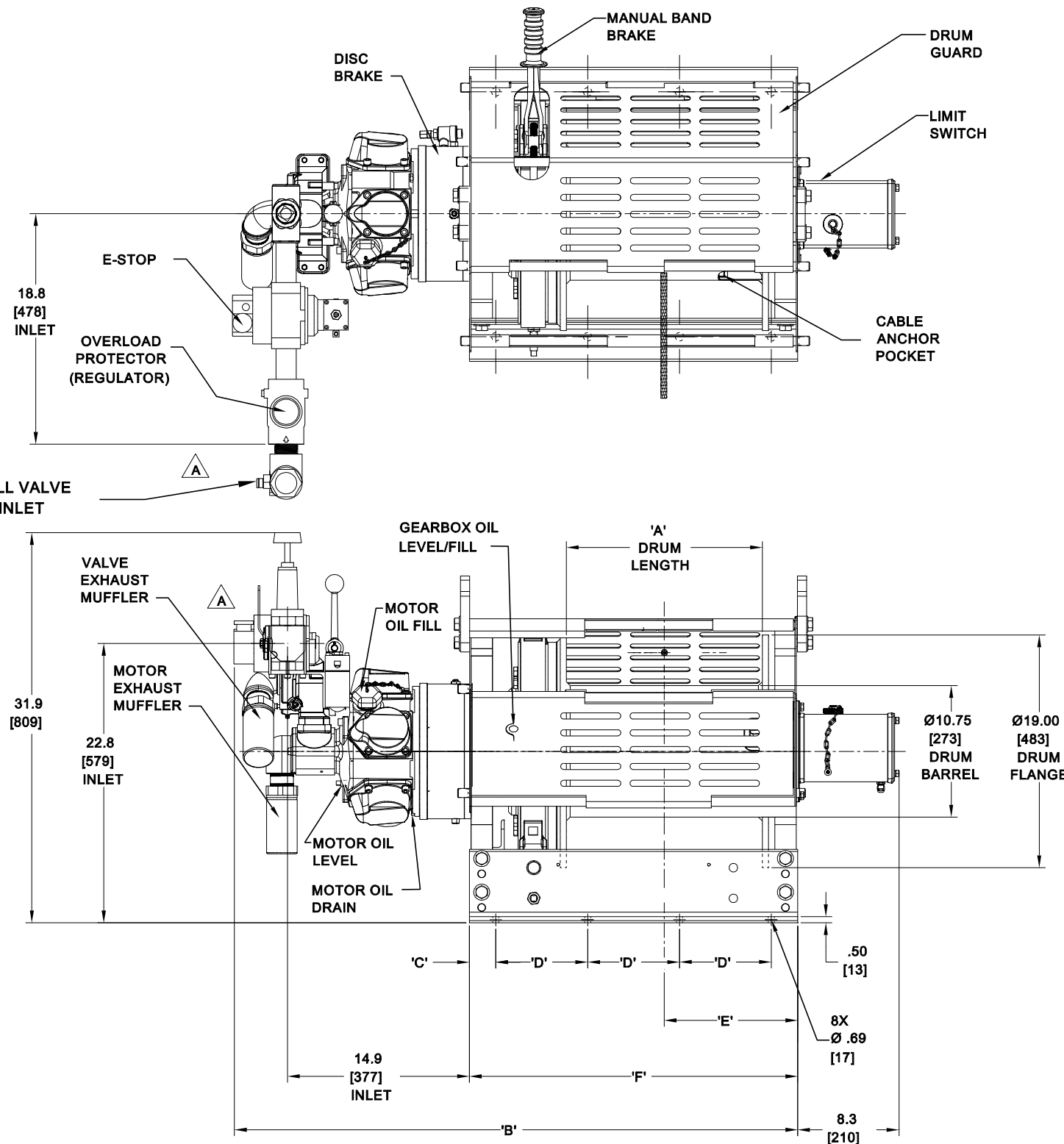
C

B

B

A

A



MODEL	DIM 'A'	DIM 'B'	DIM 'C'	DIM 'D'	DIM 'E'	DIM 'F'	QTY 'G'
FA2i-12MRMK1-CE	12.00 [305]	42.0 [1067]	2.40 [61]	9.00 [229]	8.9 [226]	22.80 [579]	6
FA2i-16MRMK1-CE	16.00 [406]	46.0 [1168]	2.15 [55]	7.50 [191]	10.9 [277]	26.80 [681]	8
FA2i-20MRMK1-CE	20.00 [508]	50.0 [1270]	1.90 [48]	9.00 [229]	12.9 [327]	30.80 [782]	8
FA2i-24MRMK1-CE	24.00 [610]	54.0 [1372]	2.40 [61]	10.00 [254]	14.9 [378]	34.80 [884]	8

ITEM	QTY	SIZE	PART NO	DESCRIPTION
<p>THE DOCUMENT CONTAINS CONFIDENTIAL AND TRADE SECRET INFORMATION IN THE PROPERTY OF INGERSOLL-RAND COMPANY, AND IS LOANED TO THE RECIPIENT IN CONFIDENCE. THE RECIPIENT IS ACCEPTING AND RETROactively OF THIS DOCUMENT ACCEPTS THE DOCUMENT IN CONFIDENCE AND AGREES THAT, EXCEPT AS AUTHORIZED BY WRITING BY INGERSOLL-RAND COMPANY, IT WILL NOT USE THE DOCUMENT OR ANY COPY THEREOF OR THE CONFIDENTIAL OR TRADE SECRET INFORMATION THEREIN (NOT COPY THE DOCUMENT, NOT DISCLOSE TO OTHERS WITHIN THE COMPANY OR THE CONFIDENTIAL OR TRADE SECRET INFORMATION THEREIN, AND IS UPON COMPLETION OF THE NEED TO RETURN THE DOCUMENT, OR UPON DEMAND, RETURN THE DOCUMENT, ALL COPIES THEREOF, AND ALL MATERIAL COPIED THEREFROM.</p> <p>WARNING: The export or reexport of this drawing or a product produced by this drawing is subject to U. S. Export Administration Regulations and other applicable governmental restrictions or regulations.</p> <p>Copyright © 2014 Ingersoll-Rand Company All Rights Reserved</p> <p>IR Ingersoll-Rand.</p> <p>Ingersoll-Rand Company Tool & Hoist Division Seattle, WA, U.S.A.</p> <p>WINCH, AIR OUTLINE/DIMENSIONAL FA2i-MRMK1-CE</p> <p>SCALE: 1:8 SIZE: C PART NO.: 382-35217 DWG NO.: 382-35217 REV: A</p> <p>DATE: 05/28/08 CHECKED: WEO APPROVED: WEO ENG APPV: WEO DATE: 07/28/2008</p> <p>SHEET 1 OF 1</p>				

DWG NO. 382-35217 SH. 1

4

3

2

1