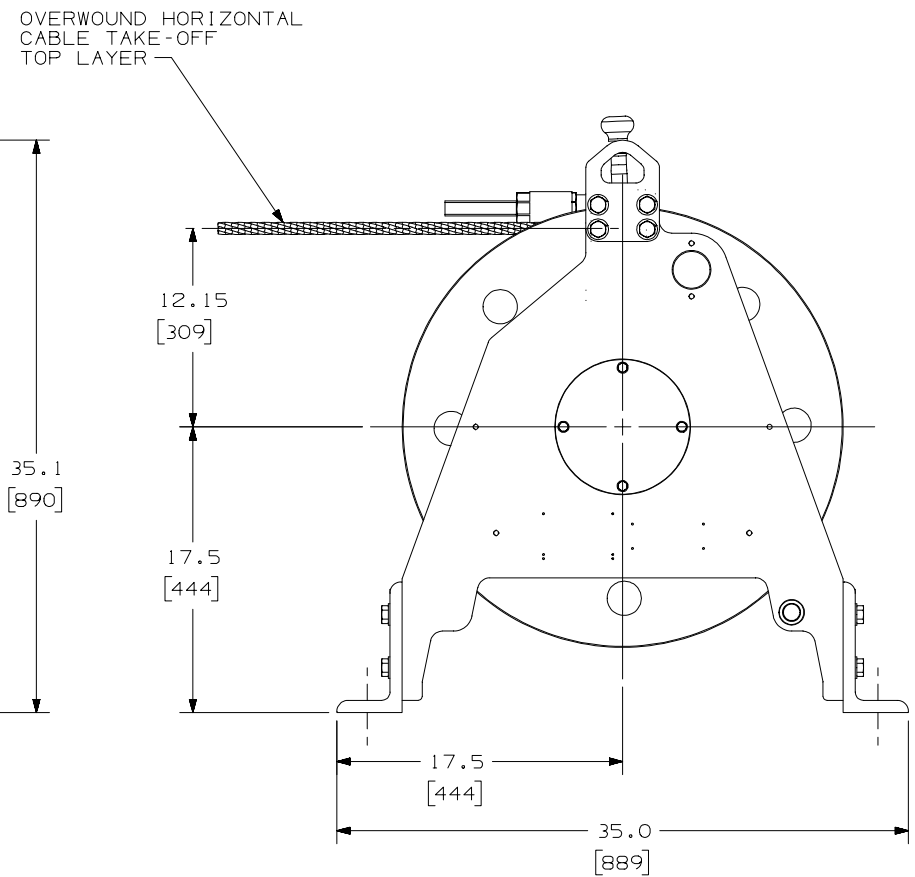
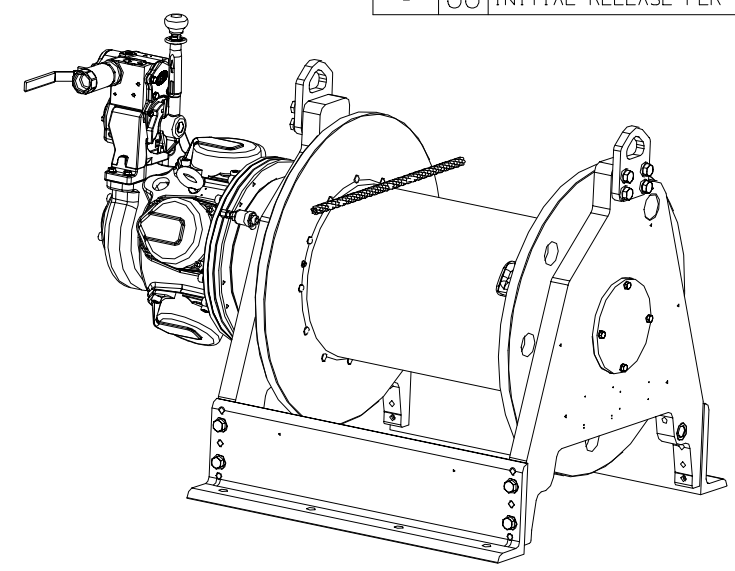
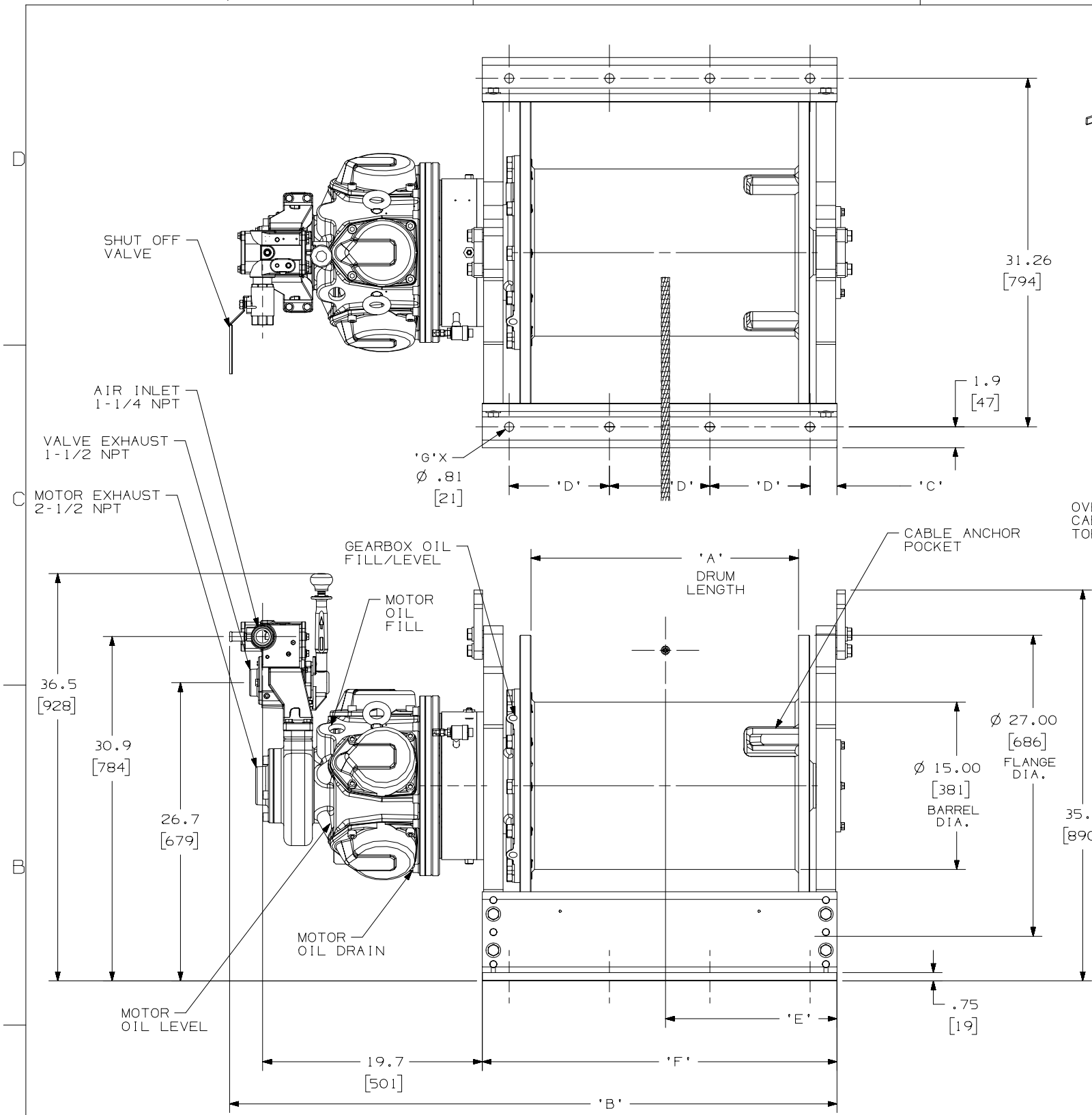


REVISIONS				
ZONE	LTR	DESCRIPTION	DATE	APPROVED
-	00	INITIAL RELEASE PER SE005925.	-	



MODEL	DIM 'A'	DIM 'B'	DIM 'C'	DIM 'D'	DIM 'E'	DIM 'F'	QTY 'G'
FA5i-12XK1	12.00 [305]	46.5 [1181]	2.56 [23]	6.00 [152]	9.40 [239]	23.84 [606]	8
FA5i-16XK1	16.00 [406]	46.5 [1181]	2.05 [17]	6.25 [159]	11.40 [290]	23.84 [606]	8
FA5i-20XK1	20.00 [508]	50.0 [1270]	1.55 [30]	8.50 [216]	13.40 [340]	27.84 [707]	8
FA5i-24MK1	24.00 [610]	54.5 [1384]	2.05 [61]	9.00 [229]	15.40 [391]	31.84 [809]	8
FA5i-30XK1	30.00 [762]	60.5 [1537]	2.55 [157]	12.00 [305]	18.40 [467]	37.84 [961]	8
FA5i-36XK1	36.00 [914]	66.5 [1689]	2.55 [55]	14.00 [357]	21.40 [544]	43.84 [1114]	8

- DIMENSIONS SHOWN ARE INCHES.
- DIMENSIONS IN BRACKETS [] ARE mm.

ITEM	QTY	SIZE	PART NO	DESCRIPTION
<p>THIS DOCUMENT CONTAINS CONFIDENTIAL AND TRADE SECRET INFORMATION, IS THE PROPERTY OF INGERSOLL-RAND COMPANY, AND IS GIVEN TO THE RECEIVER IN CONFIDENCE. THE RECEIVER BY ACCEPTANCE AND RETENTION OF THE DOCUMENT ACCEPTS THE DOCUMENT IN CONFIDENCE AND AGREES THAT, EXCEPT AS AUTHORIZED IN WRITING BY INGERSOLL-RAND COMPANY, IT WILL (1) NOT USE THE DOCUMENT OR ANY COPY THEREOF OR THE CONFIDENTIAL OR TRADE SECRET INFORMATION THEREIN; (2) NOT COPY THE DOCUMENT; (3) NOT DISCLOSE TO OTHERS EITHER THE DOCUMENT OR THE CONFIDENTIAL OR TRADE SECRET INFORMATION THEREIN; AND (4) UPON COMPLETION OF THE NEED TO RETAIN THE DOCUMENT, OR UPON DEMAND, RETURN THE DOCUMENT, ALL COPIES THEREOF, AND ALL MATERIAL COPIED THEREFROM.</p> <p>UNLESS OTHERWISE SPECIFIED TOLERANCES ON DIMENSIONS ARE DECIMALS: 2 PLACES (1.00X) ±.02 3 PLACES (1.000X) ±.005 ANGLES ±0.5°</p>				
<p>WARNING: The export or reexport of this drawing or a product produced by this drawing is subject to U. S. Export Administration Regulations and other applicable governmental restrictions or regulations.</p> <p>Copyright © 2005 Ingersoll-Rand Company All Rights Reserved</p>				
<p>INGERSOLL-RAND COMPANY TOOL & HOIST DIVISION SEATTLE, WA, U.S.A.</p>				<p>INGERSOLL-RAND TOOL & HOIST DIVISION SEATTLE, WA, U.S.A.</p>
<p>TITLE: WINCH, AIR OUTLINE/DIMENSIONAL FA5i-*XK1</p>				
<p>DATE: 11/28/2005 DRAWN: NMA CHECKED: [] APPROVED: [] ENG APPV: WO</p>		<p>SIZE: C PART NO.: 382-32099 DWG NO.: 71472492 REV: 00 SCALE: -- SHEET: 1 OF 1</p>		

DWG NO. 71467807 SH 1