



## Pendant Throttle Handle Assemblies

### Single Motor

No. C6H20A-A169B

No. MLK-A269A

No. MR-269A

### Two Motor

No. C6H20A-A122B

No. HRA-A122B

No. MR-A122A

No. PILOT-A122B

### Three Motor

No. C6H20A-A132B

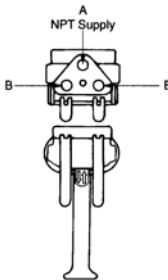
No. HRA-A132B

No. MR-A132A

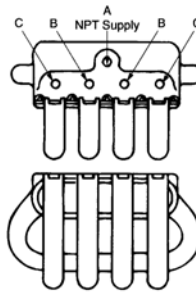
No. PILOT-A132B

---

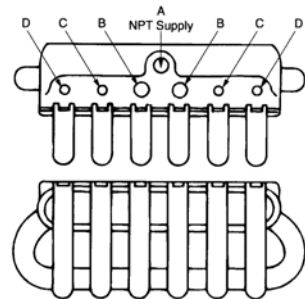
## Parts Information



Single  
Motor  
Pendant



Two  
Motor  
Pendant



Three  
Motor  
Pendant

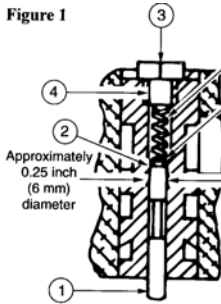
(Dwg. TPC492)



Save These Instructions

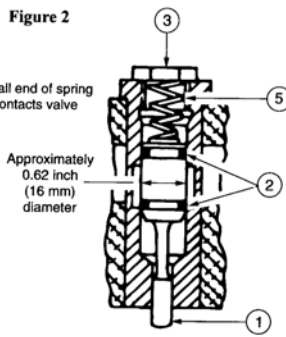
# Pendant Assembly Sectional Diagram

**Figure 1**



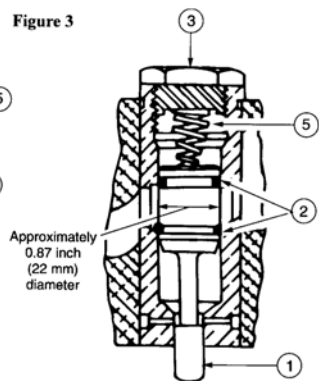
Section MLK-K264A  
Typical Pendant Handle

**Figure 2**

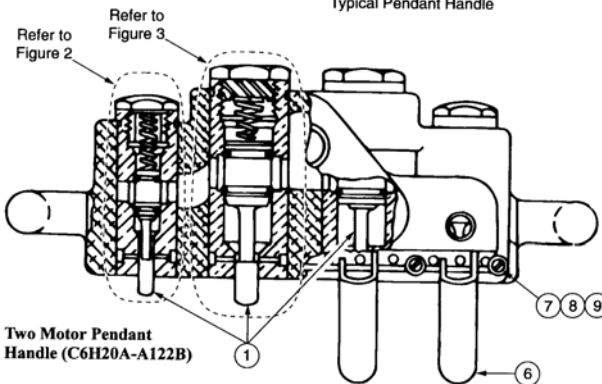


Section MR-264  
Typical Pendant Handle

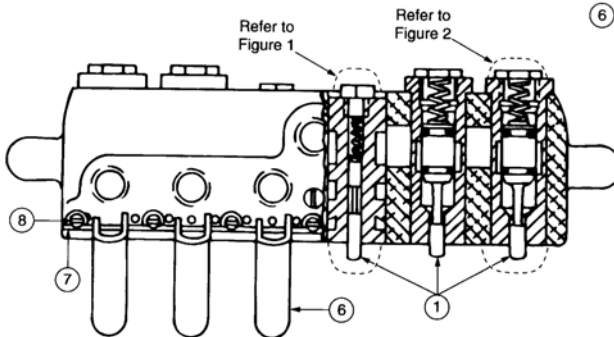
**Figure 3**



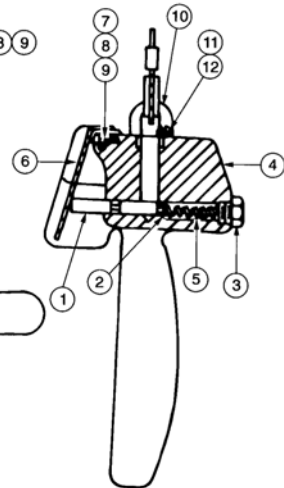
Section C6H20A-A164A  
or C6H20A-A165A  
Typical Pendant Handle



Two Motor Pendant  
Handle (C6H20A-A122B)



Three Motor Pendant  
Handle (HRA-A132B)



Single Motor Pendant  
Handle (MLK-A269A)

(Dwg. TPB788)

## Pendant Assembly Parts List

### Single Motor Pendants

Item	Part Description	Qty Total	Part Number		
			C6H20A-A169B	MLK-A269A	MR-269A
1	Throttle Valve	See ( )	C6H20A-A164A (1)	MLK-K264A (2)	MR-264 (2)
			C6H20A-A165A (1)	---	---
2	Throttle Valve Seal	See ( )	C620C-289 (4) *	R000BR1C-283 (2) ***	AF120-89 (4) **
3	Throttle Valve Cap	2	C6H20A-180A *	MLK-266A **	D02-180A ***
4	Valve Cap Gasket	2	---	MLK-504 *	---
5	Throttle Valve Spring	2	C6H20A-308 *	MLK-51A **	D01-51A ***
6	Throttle Lever	2	C6H20A-273A	MLK-273	MR-273
7	Throttle Lever Pin	1	C6H20A-281A	DLC-120A	
8	Lever Pin Screw	2	---	HRE20A-68	MLK-SR662
9	Lever Pin Lockwasher	2	---	D02-138	
10	Strain Relief Anchor	1	MR-15	MLK-450	---
11	Relief Anchor Screw	See ( )	H54U-561 (1)	HRE20A-68 (2)	---
12	Lockwasher	2	---	H54U-352	---

### Two Motor Pendants

Item	Part Description	Qty Total	Part Number			
			C6H20A-A122B	HRA-A122B	MR-A122A	PILOT-A122B
1	Throttle Valve	See ( )	C6H20A-A164A (1)	MLK-K264A (2)	MR-264 (4)	MLK-K264A (4)
			C6H20A-A165A (1)	---	---	---
2	Throttle Valve Seal	See ( )	C620C-289 (4) *	R000BR1C-283 (2) ***	---	R000BR1C-283 (4) ***
			AF120-89 (4) **	---	AF120-89 (8) **	---
3	Throttle Valve Cap	See ( )	C6H20A-180A (2) *	MLK-266A (2) **	D02-180A (4) ***	MLK-266A (4) **
			D02-180A (2) ***			
4	Valve Cap Gasket	See ( )	---	MLK-504 (2) **	---	MLK-504 (4) **
			C6H20A-308 (2) *	MLK-51A (2) **	D01-51A (4) ***	MLK-51A (4) **
5	Throttle Valve Spring	See ( )	D01-51A (2) ***			
			C6H20A-273A	MR-273		
6	Throttle Lever	4	C6H20A-273A	MR-273		
7	Throttle Lever Pin	1	C6H20A-125A	D02-125A		
8	Lever Pin Screw	5	MLK-SR662			
9	Lever Pin Lockwasher	5	D02-138			
10	Strain Relief Anchor	1	MR-15			
11	Relief Anchor Screw	1	H54U-561			

### Three Motor Pendants

Item	Part Description	Qty Total	Part Number			
			C6H20A-A132B	HRA-A132B	MR-A132A	PILOT-A132B
1	Throttle Valve	See ( )	C6H20A-A164A (1)	MLK-K264A (2)	MR-264 (6)	MLK-K264A (6)
			C6H20A-A165A (1)	---	---	---
2	Throttle Valve Seal	See ( )	C620C-289 (4) *	R000BR1C-283 (2) ***	AF120-89 (12) **	R000BR1C-283 (6) ***
			AF120-89 (8) **			
3	Throttle Valve Cap	See ( )	C6H20A-180A (2) *	MLK-266A (2) **	D02-180A (6) ***	MLK-266A (6) **
			D02-180A (4) ***			
4	Valve Cap Gasket	See ( )	---	MLK-504 (2) **	---	MLK-504 (6) **
			C6H20A-308 (2) *	MLK-51A (2) **	D01-51A (6) ***	MLK-51A (6) **
5	Throttle Valve Spring	See ( )	D01-51A (4) ***			
			C6H20A-273A	MR-273		
6	Throttle Lever	6	C6H20A-273A	MR-273		
7	Throttle Lever Pin	1	C6H20A-135A	D02-135A		
8	Lever Pin Screw	7	MLK-SR662			
9	Lever Pin Lockwasher	7	D02-138			
10	Strain Relief Anchor	1	MR-15			
11	Relief Anchor Screw	1	H54U-561			

\* Used with C6H20A-A164A and C6H20A-A165A Throttle Valves.

\*\* Used with MLK-K264A Throttle Valves.

\*\*\* Used with MR-264 Throttle Valves.

Throttle valves (item 1) are provided with valve seals (item 2).

---

## Part List Information

A complete Pendant Throttle Assembly can be ordered by specifying the assembly part number listed at the top of the "Part Number" columns of the "PARTS LIST" section. When ordering individual parts, specify the part numbers as listed in the column listings below the Pendant Throttle Assembly type.

### NOTICE

Some Pendant Throttle Assemblies are made up of more than one type of Throttle Valve (item 1). For example: the two motor pendant, C6H20A-A122B Throttle Valve (item 1) requires one part C6H20A-A164A, one C6H20A-A165A and two MR-264. To determine parts information refer to Figures 1, 2 and 3 of Dwg. TPB788.

When assembling a C6H20A-A169B, C6H20A-A122B or a C6H20A-A132B Pendant Throttle Assembly, be sure to use both a C6H20A-A164A Raise Valve and a C6H20A-A165A Lower Valve. Ensure they are installed in their correct locations.

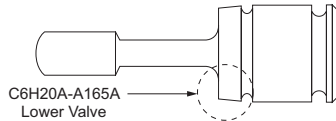
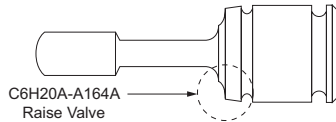
**Note:** Apply DOW-CORNING #55 Lube or equal to O-Rings prior to Assembly.



### CAUTION

Improper installation of the C6H20A-A164A Raise Valve and C6H20A-A165A Lower Valve will adversely affect Pendant Throttle operation. Ensure each valve is properly installed in their correct location. Refer to Dwg. TPD788.

Refer to Dwg. TPD992 to identify the difference between the valves.



(Dwg. TPD992)

---

## Parts and Maintenance

When the life of the tool has expired, it is recommended that the tool be disassembled, degreased and parts be separated by material so that they can be recycled.

Tool repair and maintenance should only be carried out by an authorized Service Center.

Refer all communications to the nearest **Ingersoll Rand** Office or Distributor.

Manuals can be downloaded from [www.irttools.com](http://www.irttools.com).

---

**Notes**

**Notes**

---

---

**Notes**

[www.ingersollrandproducts.com](http://www.ingersollrandproducts.com)

© 2013 Ingersoll-Rand

