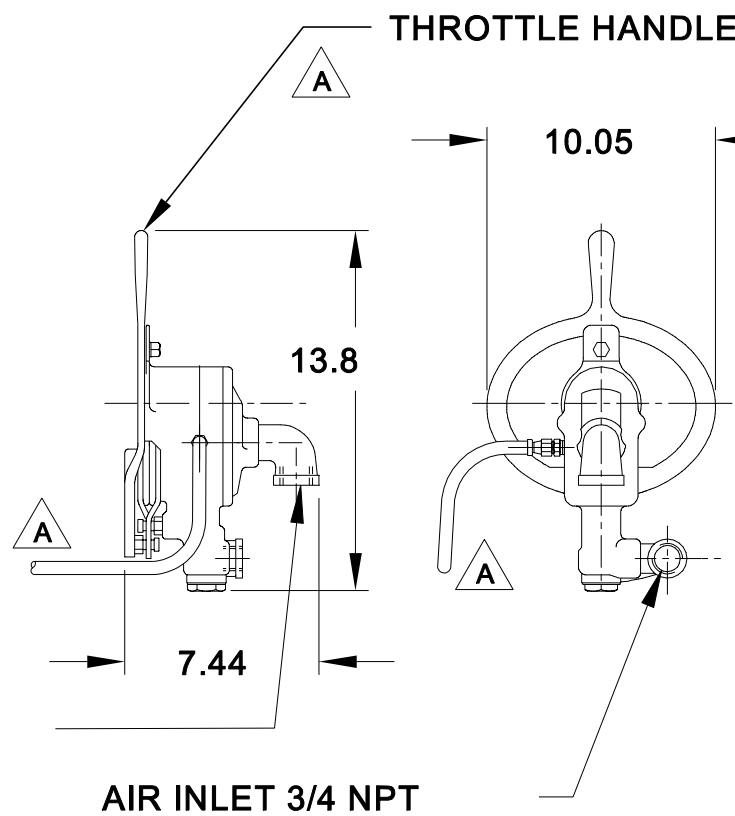
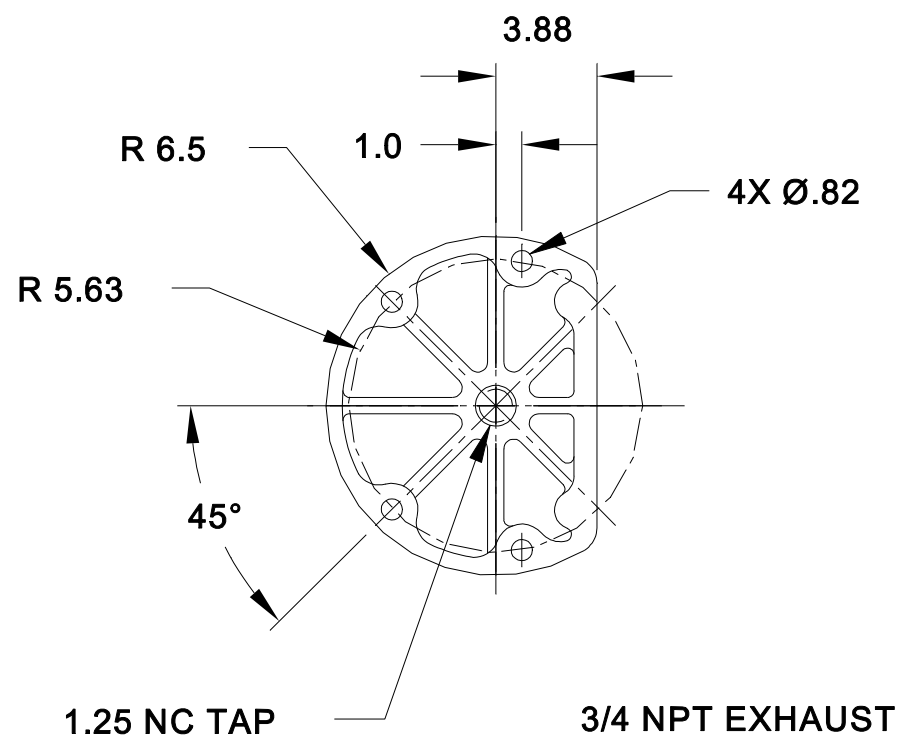
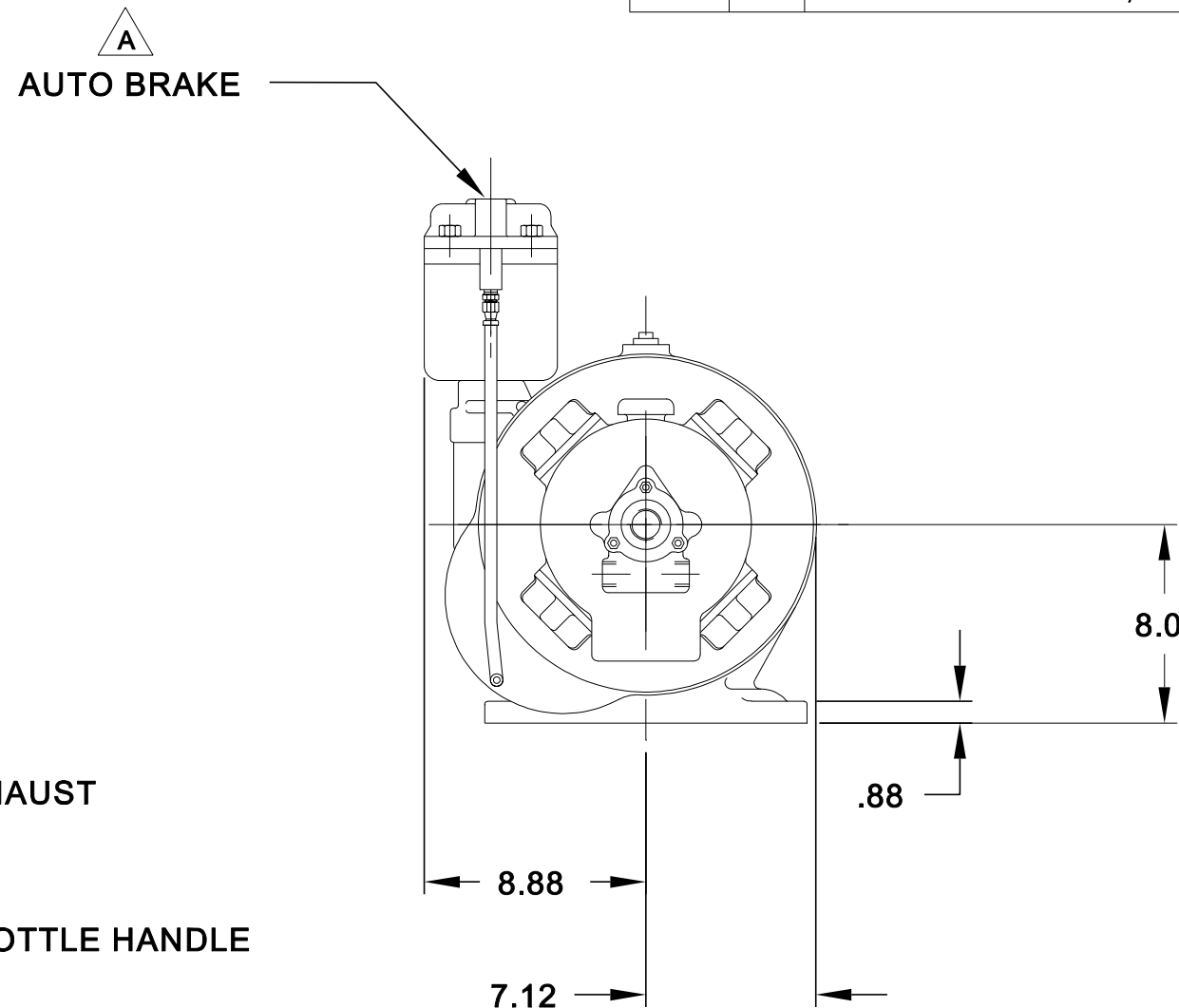
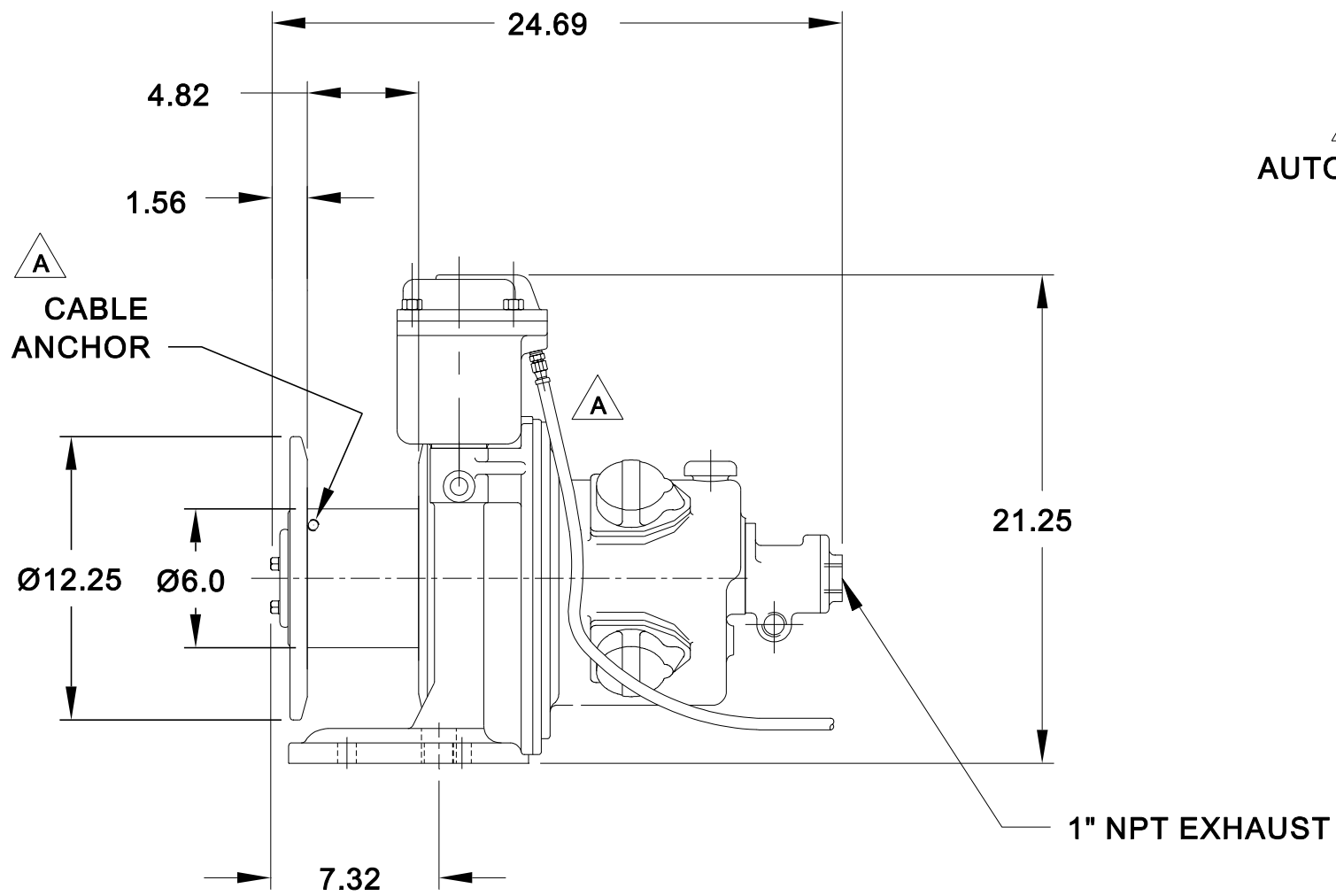


REVISIONS				
ZONE	LTR	DESCRIPTION	DATE	APPROVED
	A	REV BRAKE HOSE & ADD BRAKE, ANCHOR & THROTTLE HANDLE CALLOUTS; PER SE007298	10/11/07	LGL AEW



ITEM	QTY	SIZE	PART NO	DESCRIPTION
<p>WARNING: The export or reexport of this drawing or a product produced by this drawing is subject to U. S. Export Administration Regulations and other applicable governmental restrictions or regulations.</p> <p>Copyright 20__ 07 Ingersoll-Rand Company All Rights Reserved</p> <p>IR Ingersoll-Rand Tool & Hoist Division Seattle, WA. U.S.A.</p>				
<p>UNLESS OTHERWISE SPECIFIED TOLERANCES ON DIMENSIONS ARE DECIMALS:</p> <p>2 PLACES:(XX)= ±.02 3 PLACES:(XXX)= ±.005 ANGLES: ±0.5°</p> <p>BREAK EDGES .010 SURF 125 ✓</p>				<p>THIRD ANGLE PROJECTION</p> <p>DRAWN DATE 05/29 1997 DCW</p> <p>CHECKED</p> <p>APPROVED</p> <p>ENG APPVL WO 05/29 1997</p>
<p>TITLE</p> <p>WINCH, AIR OUTLINE/DIMENSIONAL EURCAB</p>				<p>SIZE PART NO. DWG NO. REV</p> <p>B 26234 A</p> <p>SCALE: 1:8 SHEET 1 OF 1</p>