

Electric Chain Hoist

ELK Series

1/8 to 5 ton



Product Parts Information



Save These Instructions

When tool life has expired, it is recommended to:

- disassemble the tool
- degrease the tool
- separate tool parts by material for correct recycling

Tool repair and maintenance should be conducted by an authorized service center.

Refer all communications to the nearest **Ingersoll Rand** office or distributor.

Manuals are available at ingersollrand.com

Table 1. Product Information Manuals

| Publication | Part/Document Number |
|--|-----------------------------|
| Product Safety Information Manual | 47584687001 |
| Product Information Manual | 47584686001 |
| Product Maintenance Information Manual | 47584689001 |
| Handle Control User Manual | 47610913001 |

Parts Ordering Information

These products are designed and constructed to provide long, trouble-free service. In time it may be necessary to order and install new parts to replace those that have been subjected to wear.

For your convenience and future reference, it is recommended that the following information be recorded.

Model Number _____

Serial Number _____

Date Purchase _____

When ordering replacement parts, please specify the following:

1. Complete model number and serial number as it appears on the data (name) plate.
2. Part number(s) and part description as shown in this manual.
3. Quantity required.

The data (name) plate is located on the product.

NOTICE

!

- **Continuing improvement and advancement of design may cause changes to this equipment which are not included in this manual. Manuals are periodically revised to incorporate changes. Always check the manual edition number on the front cover for the latest issue.**
- **Sections of this manual may not apply to your product.**
- **The use of other than genuine Ingersoll Rand replacement parts may result in safety hazards, decreased performance and increased maintenance, and will invalidate all warranties.**

Return Goods Policy

Ingersoll Rand will not accept any returned goods for warranty or service unless prior arrangements have been made and written authorization has been provided from the location the goods were purchased.

Products that have been modified without **Ingersoll Rand** approval, mishandled or overloaded will not be repaired or replaced under warranty. A printed copy of the warranty that applies to this product is provided inside the back cover of the product information manual or in some cases the parts manual.

Disposal



When the life of the product has expired, it is recommended that it be disassembled, degreased and parts separated as to materials so that they may be recycled.

For additional information contact:

Ingersoll Rand
20017 72nd Avenue South
Kent, WA 98032 USA
Phone: (800) 483-4981

or

Ingersoll Rand
Douai Operations
529, Avenue Roger Salengro
59450 Sin Le Noble, France
Phone: (33) 03-27-93-08-08
Fax: (33) 03-27-93-08-00

Hoist - ELK25 for 1/8 ton and 1/4 ton

Figure 1. Hoist ELK25 for 1/8 ton and 1/4 ton - Exploded View

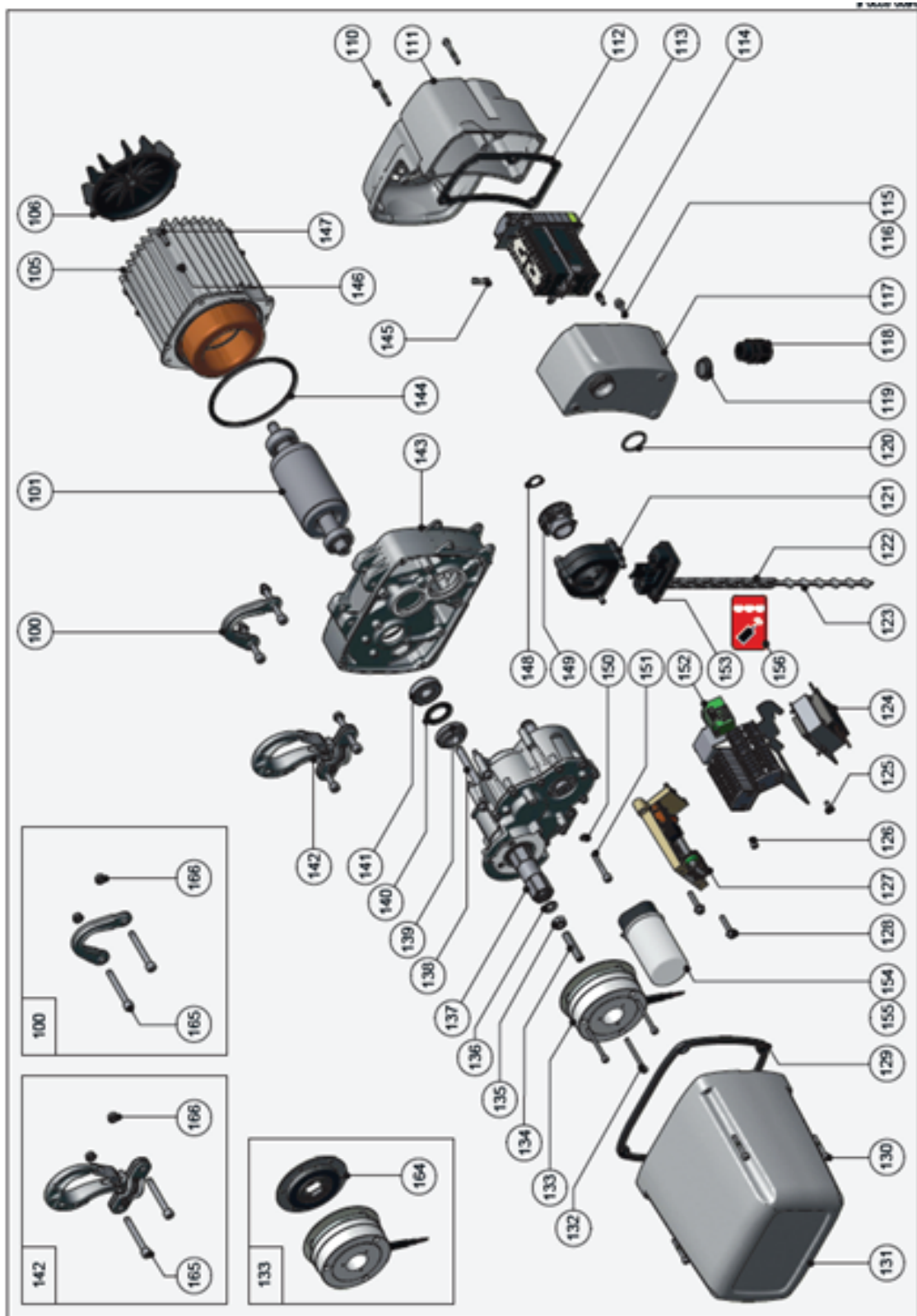


Table 2. Hoist ELK25 for 1/8 ton and 1/4 ton - Parts List

| Item No. | Part Description | Part Number | |
|----------|--------------------------------------|-------------|---------|
| | | 1/8 ton | 1/4 ton |
| 100 | Eyebolt Suspension Compl. | 9500.3079.3 | |
| 101 | Rotor Spindle 2s 8m/min, L=80 | 9500.3027.3 | |
| | Rotor Spindle 1s 8m/min, L=60 | 9500.3028.3 | |
| 105 | Stator Compl. 2s 3x230V 50Hz | 9502.0351.3 | |
| | Stator Compl. 2s 3x400V 50Hz | 9502.0350.3 | |
| | Stator Compl. 2s 3x220/240V 60Hz CSA | 9502.0354.3 | |
| | Stator Compl. 2s 3x575V 60Hz CSA | 9502.0357.3 | |
| | Stator Compl. 1s 3x110/190V 50Hz | 9502.0158.3 | |
| | Stator Compl. 1s 3x230/400V 50Hz | 9502.0150.3 | |
| | Stator Compl. 1s 3x110/190V 60Hz CSA | 9502.0159.3 | |
| | Stator Compl. 1s 3x220/380V 60Hz CSA | 9502.0153.3 | |
| 106 | Fan Wheel | 9500.3075.3 | |
| 110 | Hex. Socket Head Cap Screw M4x30 | 9030.0329 | |
| 111 | Cover Combined | 9500.3017.2 | |
| 112 | Relay Box Gasket | 9500.3033.3 | |
| 113 | Term. Board | 9502.1205.3 | |
| | Control Ass. 42V | 9512.1100.2 | |
| | Control Ass. 110V | 9512.1101.2 | |
| | Control Ass. 1Ph 115V | 9502.1055.2 | |
| | Control Ass. 1Ph 230V | 9502.1056.2 | |
| 114 | Hex. Socket Head Cap Screw M4x8 | 9030.0325 | |
| 115 | Hex. Socket Head Cap Screw M4x16 | 9030.0253 | |
| 116 | Washer M4 7.7/4.1x2 | 9040.2512 | |
| 117 | Relay Box Compl. | 9500.3074.3 | |
| 118 | Cable Gland M20/Rd PVC | 80170129 | |
| 119 | Blanking Plug M20 PVC | 80169741 | |
| 120 | O-Ring Seal 23.47x2.62 | 9035.0031 | |
| 121 | Chain Guide Compl. | 9500.3078.3 | |
| 122 | Load Chain 3.7x10.75 | 47607733001 | |
| 123 | Chaining Device 3.75mm | 9041.6034 | |
| 124 | Transformer Compl. 400/110V CSA | 9056.4602.4 | |
| | Transformer Compl. 230/460//110V CSA | 9056.4642.4 | |
| | Transformer Compl. 575/110V CSA | 9056.4632.4 | |
| 125 | Hex. Head Screw M4x10 | 9030.5250 | |
| 126 | Hex. Socket Head Cap Screw M4x8 | 9030.0325 | |
| 127 | Geared Limit Switch | 9500.3069.3 | |
| 128 | Cylinder Screw M5x25 | 9030.3259 | |
| 129 | Cover Gasket | 9500.3034.3 | |
| 130 | Hex. Socket Head Cap Screw M4x30 | 9030.0329 | |
| 131 | Cover | 9500.3005.2 | |
| 132 | Screw | 45981180 | |

Hoist - ELK25 for 1/8 ton and 1/4 ton

Table 2. Hoist ELK25 for 1/8 ton and 1/4 ton - Parts List (continued)

| Item No. | Part Description | Part Number | |
|----------|--------------------------------------|-------------|-------------|
| | | 1/8 ton | 1/4 ton |
| 133 | Brake FDB08 4Nm 100-125VAC | 9050.4132 | |
| | Brake FDB08 4Nm 200-240VAC | 9050.4133 | |
| | Brake FDB08 4Nm 360-420VAC | 9050.4134 | |
| | Brake FDB08 4Nm 440-480VAC | 9050.4135 | |
| 134 | Hex. Socket Set Screw M8x40 DIN913 | 9030.2018 | |
| 135 | Hex. Nut M8 | 0031.0008 | |
| 136 | Washer 8.4/16x1.6 | 0031.0578 | |
| 137 | Gear Box Compl. | 9500.3031.3 | |
| | Gear Box Compl. | 9500.3091.3 | |
| 138 | Parallel Pin 8m6x60 | 9031.5861 | |
| 139 | Clutch Disc | 9500.3048.4 | |
| 140 | Clutch Lining | 9500.3046.4 | |
| 141 | Clutch Hub | 9500.3047.4 | |
| 142 | Suspension, Hook Compl. | 9500.3157.3 | |
| 143 | Casing | 9500.3000.0 | |
| 144 | Gasket Ring Motor | 9500.3054.4 | |
| 145 | Fuse 0.400A, UL | 9052.0013 | |
| 146 | Washer | 45970563 | |
| 147 | Hex. Socket Head Cap Screw M5x16 | 9030.0262 | |
| 148 | Circlip A 14x1 | 0031.1008 | |
| 149 | Chain Wheel | 9500.3030.3 | |
| 150 | Washer | 45970563 | |
| 151 | Screw, Gear Cover | 45968617 | |
| 152 | Terminal Strip Standard | 9502.1203.3 | |
| | Terminal Strip Direct Control | 9502.1201.3 | |
| | Terminal Strip 1Ph | 9502.1202.3 | |
| 153 | Stop Plate | 9500.3008.3 | |
| 154 | 220µF ø65x77 120VAC | 9059.0022 | |
| | 50µF ø48x86 240VAC/B | 9059.0021 | |
| | 275µF ø65x77 120VAC/B | 9059.0020 | |
| | 60µF ø48x86 240VAC | 9059.0023 | |
| 155 | Fastener 4.5x360mm | 0055.0818 | |
| 156 | Chain Oil, 16oz | 47580935001 | |
| 164 | DC Brake Rotor | 45973377 | |
| 165 | Hex. Socket Head Cap Screw M6x50/10 | 9500.3139.4 | |
| 166 | Nut | 71277842 | |
| 167A (a) | 125kg Capacity Label | 47588478001 | --- |
| 167B (a) | 250kg Capacity Label | --- | 47572213001 |
| 167C (a) | 250kg Capacity Label for ELK50-1NS25 | --- | 47584697001 |
| 167D (a) | Information Label | 47584583001 | |
| 167E (a) | Hazardous Voltage Warning Label | 71125751 | |

Table 2. Hoist ELK25 for 1/8 ton and 1/4 ton - Parts List (continued)

| Item No. | Part Description | Part Number | |
|---------------------|---------------------------|-------------|---------|
| | | 1/8 ton | 1/4 ton |
| 167F ^(a) | Do not lift Warning Label | 04306445 | |
| 167G ^(a) | Warning tag | 04612776 | |
| 167H ^(b) | Warning Label - French | 47614971001 | |
| 167I ^(b) | Warning Label - French | 47614929001 | |
| 167J ^(b) | Warning Label - French | 47614930001 | |

^(a) Indicates Not Illustrated

^(b) CSA-compliant

Hoist - ELK25 for 1/8 ton and 1/4 ton

Figure 2. Hoist ELK25 for 1/8 ton and 1/4 ton - Exploded View

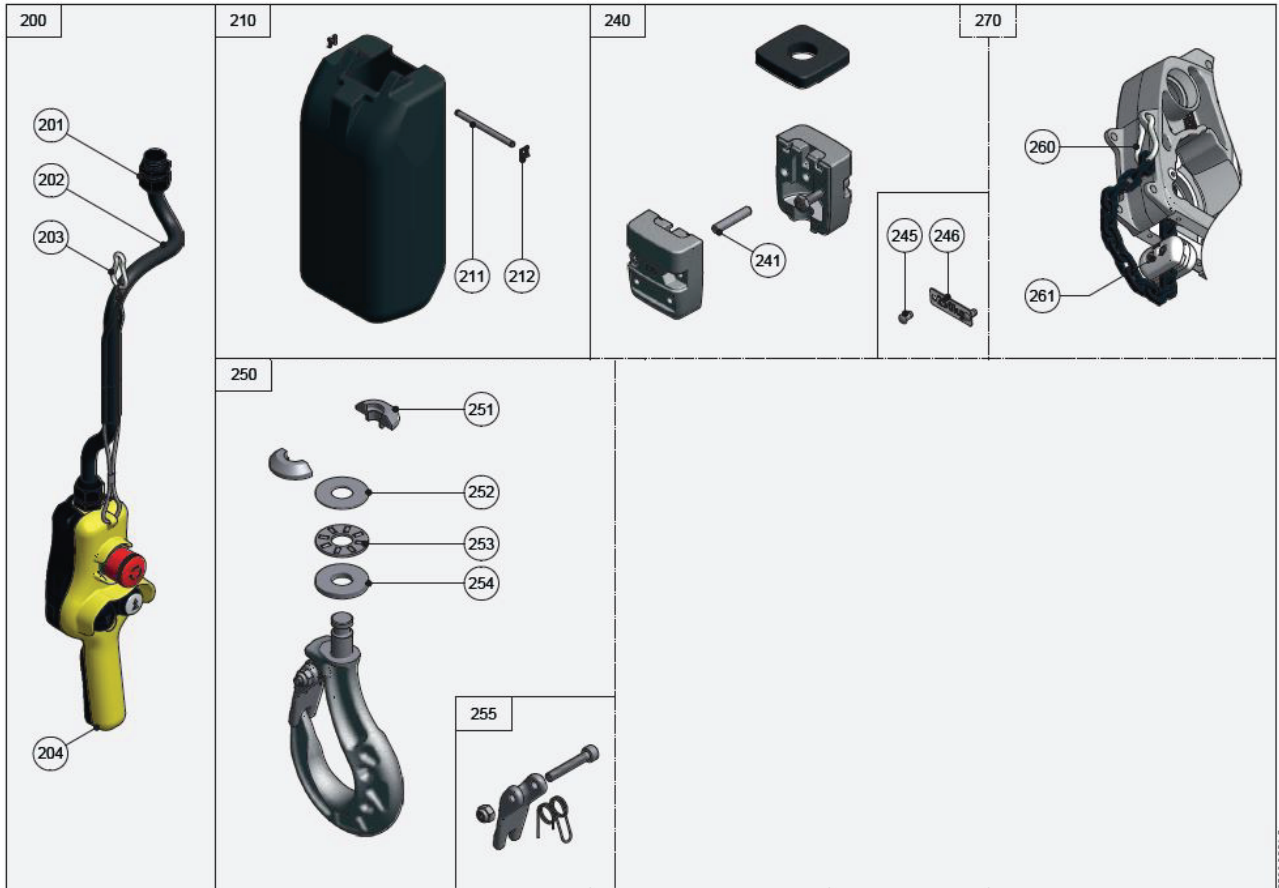


Table 3. Hoist ELK25 for 1/8 ton and 1/4 ton - Parts List

| Item No. | Part Description | Part Number (CCN) | |
|----------|--------------------------------------|----------------------|---------|
| | | 1/8 ton | 1/4 ton |
| 200 | Control Switch 2-Button, Lift 10ft | 9290.1086.3 | |
| | Control Switch 2-Button, Lift 13ft | 9290.1087.3 | |
| | Control Switch 2-Button, Lift 16.4ft | 9290.1088.3 | |
| | Control Switch 2-Button, Lift 19.6ft | 9290.1089.3 | |
| | Control Switch 2-Button, Lift 23ft | 9290.2014.3 | |
| | Control Switch 2-Button, Lift 26ft | 9290.1090.3 | |
| | Control Switch 2-Button, Lift 32.8ft | 9290.1091.3 | |
| | Control Switch 2-Button, Lift 39ft | 9290.1092.3 | |
| | Control Switch 2-Button, Lift 49ft | 9290.1093.3 | |
| | Control Switch 2-Button, Lift 65.6ft | 9290.1094.3 | |
| 201 | Cable Gland M20 | 9055.3102 (80170129) | |
| 202 | Control Cable 5x0.75mm ² | 9055.0110 | |
| 203 | Snap-Hook L=40mm, Ø4mm | 9031.8007 | |
| 204 | Controls Switch 2-Buttons W/E-Stop | 47544637001 | |
| 210 | Chain Bucket | 9500.3016.2 | |
| 211 | Bolt Chain Bag L=73mm | 9500.3041.4 | |
| 212 | Safety Plate Gr.5, f. Chain Box | 9031.2401 | |
| 240 | Single Fall Hook Clamp | 9500.3109.3 | |

Table 3. Hoist ELK25 for 1/8 ton and 1/4 ton - Parts List (continued)

| Item No. | Part Description | Part Number (CCN) | |
|----------|-------------------------------|-------------------|----------|
| | | 1/8 ton | 1/4 ton |
| 241 | Retaining Pin ø4x22 Clamp | 9500.3134.4 | |
| 245 | Grooved Pin 3x5 | 9031.6604 | |
| 246 | Plate Capacity, 250 kg | --- | 71278550 |
| | Plate Capacity, 125 kg | 71278535 | --- |
| 250 | Load Hook Compl. | 9500.3060.3 | |
| 251 | Half Round Disc | 9500.3064.4 | |
| 252 | Needle Bearing Disc AS1024 | 9038.1757 | |
| 253 | Needle Roller AXK1024 10/24x2 | 9038.0262 | |
| 254 | Disc LS1024 | 9038.1756 | |
| 255 | Safety Latch Compl. | 9500.3095.4 | |
| 260 | Snap-Hook L=40mm, Ø4mm | 9031.8007 | |
| 261 | Limit Stop Assembly | 9500.3013.3 | |
| 270 | Equipment 1-Fall, Blank | 9500.3110.3 | |

Hoist - ELK50 for 1/4 ton, 1/2 ton and 1 ton

Figure 3. Hoist ELK50 for 1/4 ton, 1/2 ton and 1 ton - Exploded View

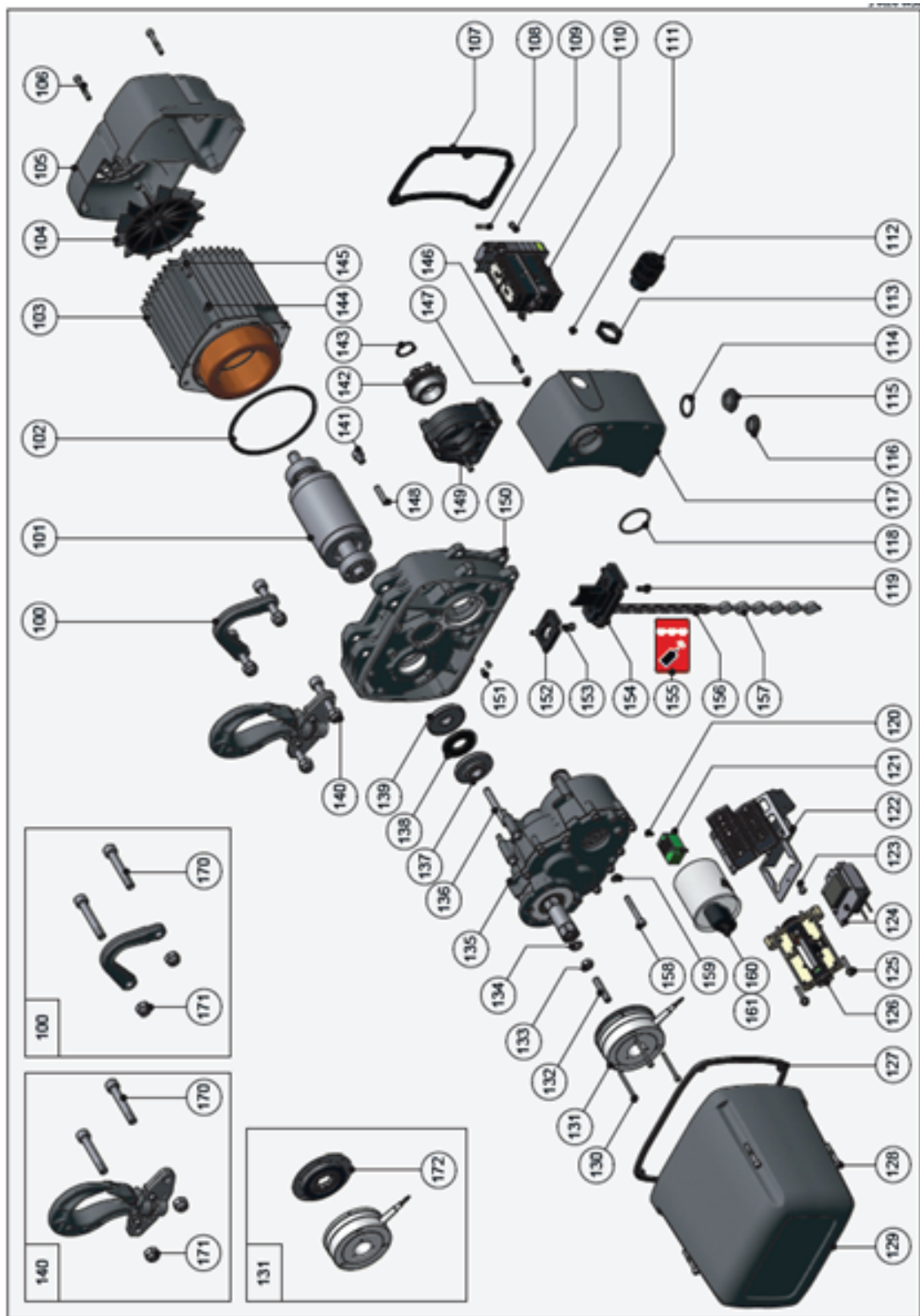


Table 4. Hoist ELK50 for 1/4 ton, 1/2 ton and 1 ton - Parts List

| Item | Part Description | Part Number (CCN) | | |
|------|--|----------------------|---------|-------|
| | | 1/4 ton | 1/2 ton | 1 ton |
| 100 | Eyebolt Suspension Compl. | 9510.3077.3 | | |
| 101 | Rotor Spindle 2s L=90 | 9510.3027.3 | | |
| 102 | Gasket Ring Motor | 9510.3054.4 | | |
| 103 | Stator Compl. 2s 3x400V 50Hz | 9512.0350.3 | | |
| | Stator Compl. 2s 3x230V 50Hz | 9512.0351.3 | | |
| | Stator Compl. 1s 3x230/400V 50Hz | 9512.0250.3 | | |
| | Stator Compl. 2s 3x575V 60Hz CSA | 9512.0357.3 | | |
| | Stator Compl. 1s 1x115/230V 50Hz | 9512.0158.3 | | |
| | Stator Compl. 1s 1x115/230V 60Hz CSA | 9512.0159.3 | | |
| 104 | Fan Wheel | 9510.3062.3 | | |
| 105 | Cover Combined | 9510.3011.1 | | |
| 106 | Hex. Socket Head Cap Screw M5x35/22 | 9030.0331 | | |
| 107 | Relay Box Gasket | 9510.3033.3 | | |
| 108 | Fuse 0.400A, UL | 9052.0013 | | |
| 109 | Hex. Socket Head Cap Screw M4x8 | 9030.0325 | | |
| 110 | Control Ass. 42V | 9512.1100.2 | | |
| | Control Ass. 110V | 9512.1101.2 | | |
| | Control Ass. 42V | 9512.1000.2 | | |
| | Control Ass. 110V | 9512.1001.2 | | |
| | Control Ass. 1Ph 115/42V | 9512.1053.2 | | |
| | Control Ass. 1Ph 230/42V | 9512.1052.2 | | |
| 111 | Washer 4.3/8x0.8 Polyamid | 9031.3706 | | |
| 112 | Cable Gland M25 | 9055.3103 (80169394) | | |
| 113 | Counter Nut M25 | 80169402 | | |
| 114 | Washer M25 29.5/23.2x1 | 9040.2511 | | |
| 115 | Plug, Electrical Control Access | 45970472 | | |
| 116 | Blanking Plug M20 PVC SEE DWG 80169113 | 80169741 | | |
| 117 | Control Box Lower Part | 9510.3006.2 | | |
| 118 | O-Ring Seal 38.7x2.65 NBR | 9035.0033 | | |
| 119 | Hexagon Socket Head Cap Screw M5x12 | 71278485 | | |
| 120 | Forming Screw M3x8 | 9030.8030 | | |
| 121 | Rectifier | 9050.4023 | | |
| 122 | Terminal Strip Max. 480V | 9512.1200.3 | | |
| | Terminal Strip Direct Control | 9512.1201.3 | | |
| | Terminal Strip 1Ph | 9512.1203.3 | | |
| 123 | Hex. Socket Head Cap Screw M5x10 | 9030.0027 | | |
| 124 | Transformer Compl. 400/42V CSA | 9056.4601.4 | | |
| | Transformer Compl. 400/110V CSA | 9056.4602.4 | | |
| | Transformer Compl. 230/460//42V CSA | 9056.4641.4 | | |
| | Transformer Compl. 230/460//110V CSA | 9056.4642.4 | | |
| | Transformer Compl. 575/42V CSA | 9056.4631.4 | | |
| | Transformer Compl. 575/110V CSA | 9056.4632.4 | | |
| | Transformer Compl. 110/42V CSA | 9056.4636.4 | | |

Hoist - ELK50 for 1/4 ton, 1/2 ton and 1 ton

Table 4. Hoist ELK50 for 1/4 ton, 1/2 ton and 1 ton - Parts List (continued)

| Item | Part Description | Part Number (CCN) | | |
|------|--------------------------------------|-------------------|---------|-------|
| | | 1/4 ton | 1/2 ton | 1 ton |
| 125 | Hex. Socket Head Cap Screw M5x25 | 9030.0020 | | |
| 126 | Geared Limit Switch | 9500.3069.3 | | |
| 127 | Cover Gasket | 9510.3034.3 | | |
| 128 | Hex. Socket Head Cap Screw M5x35/22 | 9030.0331 | | |
| 129 | Cover | 9510.3005.3 | | |
| 130 | Screw | 45981180 | | |
| 131 | Brake FDB08 7Nm 100-125VAC 50/60Hz | 9050.4139 | | |
| | Brake FDB08 7Nm 200-240VAC | 9050.4140 | | |
| | Brake FDB08 7Nm 360-420VAC 50/60Hz | 9050.4141 | | |
| | Brake FDB08 7Nm 440-480VAC | 9050.4142 | | |
| 132 | Hex. Socket Set Screw M8x40 DIN913 | 9030.2018 | | |
| 133 | Hex. Nut M8 | 0031.0008 | | |
| 134 | Gear Box Compl. | 0031.0578 | | |
| 135 | Gear Box Compl. | 9510.3020.2 | | |
| | Gear Box Compl. | 9510.3022.2 | | |
| 136 | Parallel Pin 8h8x65 | 9031.5862 | | |
| 137 | Clutch Disc | 9510.3059.4 | | |
| 138 | Clutch Lining | 9510.3057.4 | | |
| 139 | Clutch Hub | 9510.3058.4 | | |
| 140 | Suspension, Hook Compl. | 9510.3078.3 | | |
| 141 | Hex. Socket Head Cap Screw M8x10 | 9030.0332 | | |
| 142 | Chain Wheel | 9511.3030.2 | | |
| 143 | Circlip A 22x1.2 | 9031.2013 | | |
| 144 | Washer M6 | 45955697 | | |
| 145 | Hex. Socket Head Cap Screw M6x16 | 9030.0275 | | |
| 146 | Hex. Socket Head Cap Screw M5x16 | 9030.0262 | | |
| 147 | Washer M5 9.8/5.15x3 | 9031.3705 | | |
| 148 | Parallel Pin ø6.5x30mm | 9511.3066.4 | | |
| 149 | Chain Guide Compl. | 9511.3061.4 | | |
| 150 | Casing | 9510.3000.1 | | |
| 151 | Protective Plug ø5.5/3.5x6 | 9040.0718 | | |
| 152 | Stop Plate 2-Falls | 9510.3013.4 | | |
| 153 | Hexagon Socket Head Cap Screw M5x12 | 9030.0003 | | |
| 154 | Stop Plate | 9511.3008.3 | | |
| 155 | Chain Oil, 16oz | 47580935001 | | |
| 156 | Load Chain 5.25x15 | 47588484001 | | |
| 157 | Chaining Device 5.25mm | 9041.6035 | | |
| 158 | Hex. Socket Head Cap Screw M6x45/24 | 9030.0280 | | |
| 159 | Spring Washer M6 | 9031.3903 | | |
| 160 | Condenser 110µF ø65x77 240VAC | 9059.0024 | | |
| | Condenser 200µF ø65x77 240VAC | 9059.0025 | | |
| | Condenser 275µF ø65x77 120VAC/B | 9059.0020 | | |
| 161 | Fastener 4.5x360mm | 0055.0818 | | |
| 170 | Hex. Socket Head Cap Screw M10x62/11 | 9400.3049.4 | | |

Table 4. Hoist ELK50 for 1/4 ton, 1/2 ton and 1 ton - Parts List (continued)

| Item | Part Description | Part Number (CCN) | | |
|----------|---------------------------------|-------------------|-------------|-------------|
| | | 1/4 ton | 1/2 ton | 1 ton |
| 171 | Locknut | 45981438 | | |
| 172 | Replacement Set Brake Rotor | 9400.3156.4 | | |
| 173A (a) | 250kg Capacity Label | 47572213001 | --- | --- |
| 173B (a) | Capacity Label | --- | 47584586001 | --- |
| 173C (a) | Capacity Label | --- | --- | 47584698001 |
| 173D (a) | Hazardous Voltage Warning Label | 71125751 | | |
| 173E (a) | Do not lift Warning Label | 04306445 | | |
| 173F (a) | Warning tag | 04612776 | | |
| 173G (a) | Label - Electrical Hoist | 47584695001 | | |
| 173H (b) | Warning Label - French | 47614971001 | | |
| 173I (b) | Warning Label - French | 47614929001 | | |
| 173J (b) | Warning Label - French | 47614930001 | | |

(a) Indicates Not Illustrated

(b) CSA-compliant

Hoist - ELK50 for 1/4 ton, 1/2 ton and 1 ton

Figure 4. ELK50 for 1/4 ton, 1/2 ton and 1 ton - Exploded View

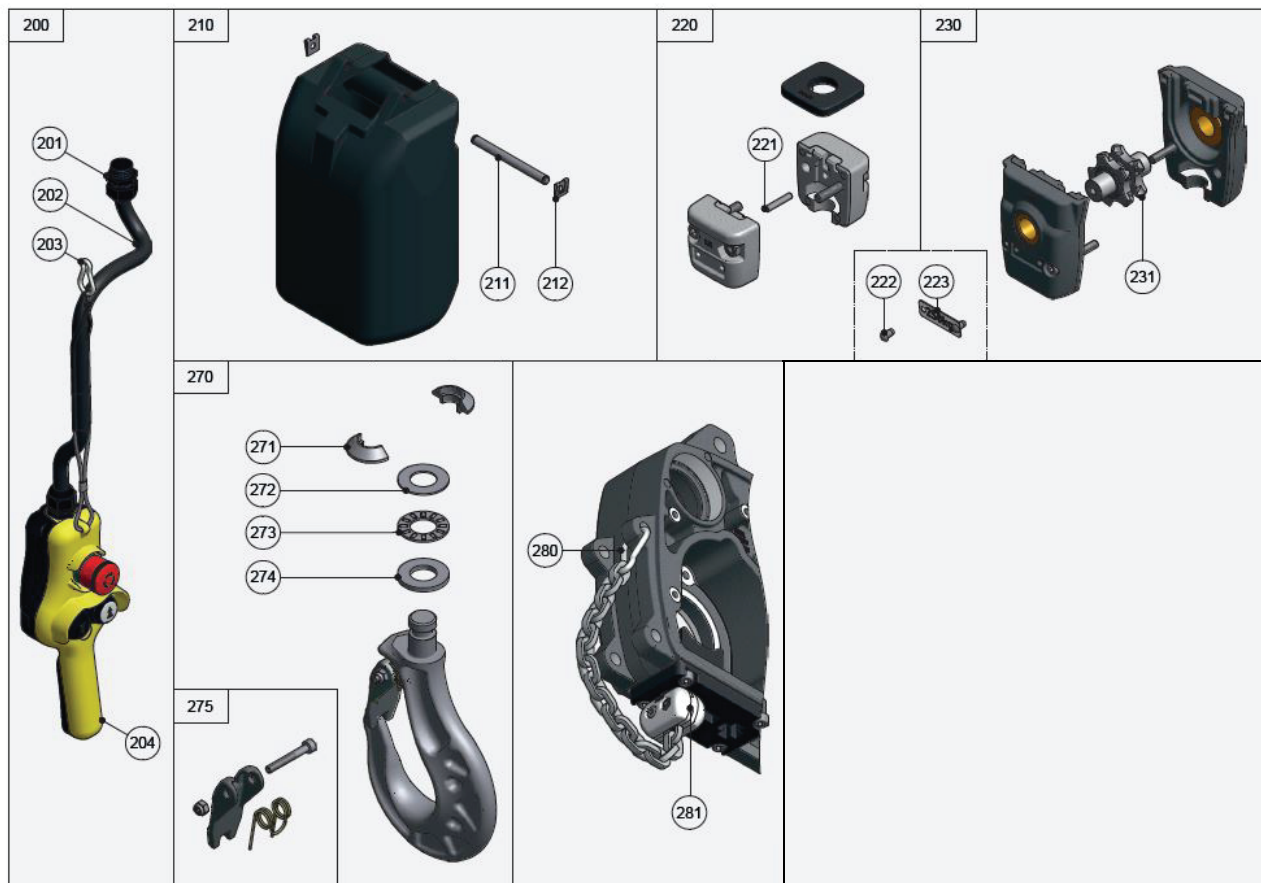


Table 5. ELK50 for 1/4 ton, 1/2 ton and 1 ton - Parts List

| Item No. | Part Description | Part Number (CCN) | | |
|----------|--------------------------------------|--------------------------|---------|-------|
| | | 1/4 ton | 1/2 ton | 1 ton |
| 200 | Control Switch 2-Button Lift 10ft | 9290.1086.3 | | |
| | Control Switch 2-Button, lift 3ft | 9290.1087.3 | | |
| | Control Switch 2-Button, lift 16.4ft | 9290.1088.3 | | |
| | Control Switch 2-Button, lift 19.6ft | 9290.1089.3 | | |
| | Control Switch 2-Button, lift 23ft | 9290.2014.3 | | |
| | Control Switch 2-Button, lift 26ft | 9290.1090.3 | | |
| | Control Switch 2-Button, lift 32.8ft | 9290.1091.3 | | |
| | Control Switch 2-Button, lift 39ft | 9290.1092.3 | | |
| | Control Switch 2-Button, lift 49ft | 9290.1093.3 | | |
| | Control Switch 2-Button, lift 65.6ft | 9290.1094.3 | | |
| 201 | Cable Gland M20 | 9055.3102 (80170129) | | |
| 202 | Control Cable 5x0.75mm2 | 9055.0110 | | |
| 203 | Snap-Hook L=50mm, Ø5mm | 9031.8004 | | |
| 204 | Control Switch 2-Button | IR9290.1084.3 (80170087) | | |
| 210 | Chain Bucket | 9510.3016.1 | | |
| | Chain Bucket | 9510.3019.1 | | |
| 211 | Bolt Chain Bag ø8x94mm | 9510.3056.4 | | |
| 212 | Safety Plate Gr.8,f. Chain Box | 9031.2400 | | |

Table 5. ELK50 for 1/4 ton, 1/2 ton and 1 ton - Parts List (continued)

| Item No. | Part Description | Part Number (CCN) | | |
|----------|---|-------------------|----------|-------------|
| | | 1/4 ton | 1/2 ton | 1 ton |
| 220 | Single Fall Hook Clamp | 9511.3109.3 | | --- |
| 221 | Bolt | 71278204 | | |
| 222 | Grooved Pin 3x5 | 9031.6604 | | |
| 223 | Plate Capacity, 250 kg | 71278550 | --- | --- |
| | Plate Capacity, 500 kg | --- | 71278592 | --- |
| | Plate Capacity, 1,000 kg | --- | --- | 71298715 |
| 230 | Double Fall Hook Clamp | --- | --- | 9511.3014.4 |
| 231 | Chain Wheel | 9511.3035.4 | | |
| 270 | Load Hook Compl. | 9511.3075.4 | | |
| 271 | Half-Moon Retainer | 10598316 | | |
| 272 | Thrust Washer 17/30x1 | 10598332 | | |
| 273 | Bearing 17/30 | 10598324 | | |
| 274 | Disc LS1730 | 9038.1755 | | |
| 275 | Safety Latch Compl. | 9510.3079.4 | | |
| 280 | Snap-Hook L=50mm, Ø5mm | 9031.8004 | | |
| 281 | Limit Stop Assembly | 9511.3013.3 | | |
| (a) | Hook Assembly - Bullard | 10584175 | | |
| (a) | 110V Single Phase Cable Tail | R000.8978 | | |
| (a) | 230V Three Phase Cable Tail, Twist Lock | R000.8985 | | |
| (a) | 230V Three Phase Cable Tail, CEEP7 | R000.8979 | | |

(a) Indicates Not Illustrated

Hoist - ELK100 for 1/2 ton, 1 ton and 2 ton

Figure 5. Hoist ELK100 for 1/2 ton, 1 ton and 2 ton - Exploded View

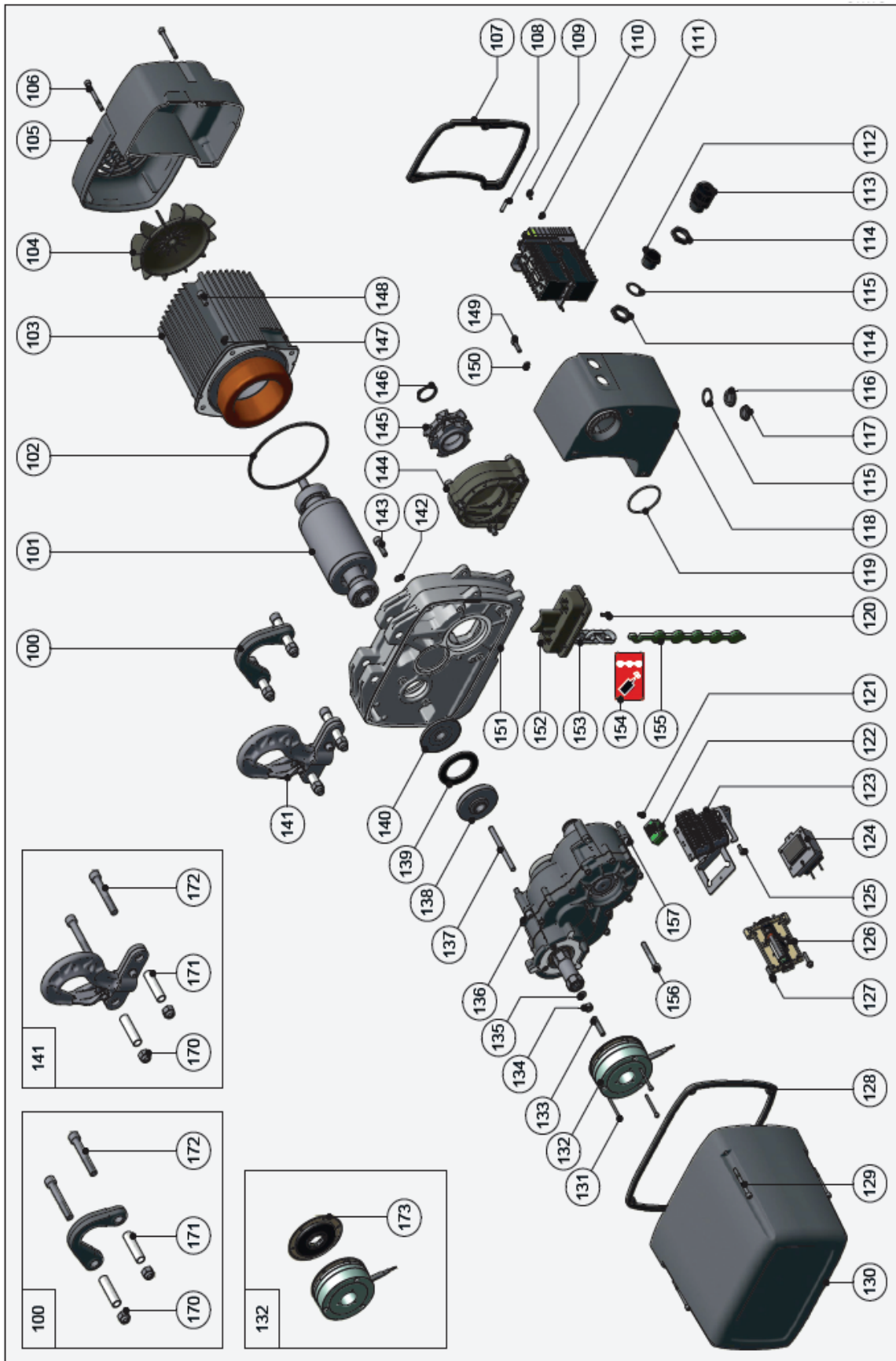


Table 6. Hoist ELK100 for 1/2 ton, 1 ton and 2 ton - Parts List

| Item No. | Part Description | Part Number | | |
|----------|---|-------------|-------------|-------|
| | | 1/2 ton | 1 ton | 2 ton |
| 100 | Eyebolt Suspension Compl. ELK100 | 9515.3077.3 | | |
| 101 | Rotor Spindle Dual Speed, L=120 | 9515.3027.3 | | |
| 102 | Gasket Ring Motor | 9515.3054.4 | | |
| 103 | Stator Compl. Dual Speed 3x400/460V 50/60Hz | 9517.0350.3 | | |
| | Stator Compl. Dual Speed 3x230V 60Hz | 9517.0354.3 | | |
| | Stator Compl. Dual Speed 3x575V 60Hz | --- | 9517.0357.3 | --- |
| 104 | Fan Wheel, ELK100 | 9515.3075.3 | | |
| 105 | Cover Combined, ELK100 | 9515.3011.2 | | |
| 106 | Hex. Socket Head Cap Screw M6x60/24 | 9030.0339 | | |
| 107 | Relay Box Gasket | 9515.3033.3 | | |
| 108 | Fuse 1.6A, UL | 9052.0012 | | |
| 109 | Hex. Socket Head Cap Screw M4x8 | 9030.0325 | | |
| 110 | Spring Washer M4 | 9031.3901 | | |
| 111 | Control Ass. 42V, Dual Speed, ELK100 | 9517.1100.2 | | |
| 112 | Blanking Plug M25x15mm Black | 9055.3517 | | |
| 113 | Cable Gland M25/RD PVC | 9055.3103 | | |
| 114 | Counter Nut M25 | 9055.4013 | | |
| 115 | Washer M25 29.5/23.2x1 | 9040.2511 | | |
| 116 | Blanking Plug M25 PVC | 9055.3513 | | |
| 117 | Blanking Plug M20 PVC | 9055.3512 | | |
| 118 | Control Box Lower Part, ELK100 | 9515.3006.3 | | |
| 119 | O-Ring Seal 59x2.5 NBR70 | 9035.0034 | | |
| 120 | Hex. Socket Head Cap Screw M5x12 | 9030.0003 | | |
| 121 | Forming Screw M3x8 | 9030.803 | | |
| 122 | Rectifier | 9050.4023 | | |
| 123 | Terminal Strip Max. 480V | 9512.1200.3 | | |
| | Terminal Strip Direct Control | 9512.1201.3 | | |
| | Terminal Strip 500-690V | 9512.1202.3 | | |
| 124 | Transformer Compl. 400/42V CSA | 9056.4701.4 | | |
| | Transformer Compl. 230/460/42V CSA | 9056.4741.4 | | |
| | Transformer Compl. 575/42V CSA | --- | 9056.4631.4 | --- |
| 125 | Hexagon Socket Head Cap Screw M5x10 | 9030.0027 | | |
| 126 | Geared Limit Switch | 9500.3069.3 | | |
| 127 | Hex. Socket Head Cap Screw M5x25 | 9030.0022 | | |
| 128 | Cover Gasket, ELK100 | 9515.3034.3 | | |
| 129 | Hex. Socket Head Cap Screw M6x60/24 | 9030.0339 | | |
| 130 | Cover, ELK100 | 9515.3005.3 | | |
| 131 | Hex. Socket Head Cap Screw M5x50/22 | 9030.0270 | | |

Hoist - ELK100 for 1/2 ton, 1 ton and 2 ton

Table 6. Hoist ELK100 for 1/2 ton, 1 ton and 2 ton - Parts List (continued)

| Item No. | Part Description | Part Number | | |
|----------|--------------------------------------|-------------|-------|-------|
| | | 1/2 ton | 1 ton | 2 ton |
| 132 | Brake FDB10 12Nm 100-125VAC 50/60Hz | 9050.4100 | | |
| | Brake FDB10 12Nm 200-240VAC 50/60Hz | 9050.4101 | | |
| | Brake FDB10 12Nm 360-420VAC 50/60Hz | 9050.4102 | | |
| | Brake FDB10 12Nm 440-480VAC 50/60Hz | 9050.4103 | | |
| | Brake FDB10 12Nm 500-575VAC 50/60Hz | 9050.4104 | | |
| 133 | Hex. Socket Set Screw M8x40 DIN913 | 9030.2018 | | |
| 134 | Hex. Nut M8 | 0031.0008 | | |
| 135 | Washer 8.4/16x1.6 | 0031.0578 | | |
| 136 | Gear Box Compl. Dual Speed, ELK100 | 9515.3022.2 | | |
| 137 | Parallel Pin M6x100 | 9031.5863 | | |
| 138 | Clutch Disc, ELK100 | 9515.3062.3 | | |
| 139 | Clutch Lining, ELK100 | 9515.3061.4 | | |
| 140 | Clutch Hub, ELK100 | 9515.3063.3 | | |
| 141 | Suspension, Hook Compl. ELK100 | 9515.3078.3 | | |
| 142 | Spring Washer M8 | 9031.3904 | | |
| 143 | Hex. Socket Head Cap Screw M8x30 | 9030.0288 | | |
| 144 | Chain Guide Compl. | 9515.3123.4 | | |
| 145 | Chain Wheel Drive End | 9515.3030.2 | | |
| 146 | Circlip A 32x1.5 | 9031.2017 | | |
| 147 | Spring Washer M8 | 9031.3904 | | |
| 148 | Hex. Socket Head Cap Screw M8x20 | 9030.0286 | | |
| 149 | Hex. Socket Head Cap Screw M6x20 | 30.923 | | |
| 150 | Sealing Ring M6 10.5/6.5x2.5 | 9040.2508 | | |
| 151 | Casing, ELK100 | 9515.3000.0 | | |
| 152 | Stop Plate | 9515.3008.2 | | |
| 153 | Load Chain 7.45x23, ELK100 | 47636342001 | | |
| 154 | Chain Oil, 16oz | 47580935001 | | |
| 155 | Chaining Device 7.45mm, ELK100 | 9041.6036 | | |
| 156 | Hex. Socket Head Cap Screw M8x55/28 | 9030.0343 | | |
| 157 | Hex. Socket Head Cap Screw M8x40/28 | 9030.0344 | | |
| 170 | Self-Locking Nut M12, Nylon | 9031.1225 | | |
| 171 | Spacer Tube Ø16/1.5x60 | 9405.3094.4 | | |
| 172 | Hex. Socket Head Cap Screw M12x80/36 | 9030.034 | | |
| 173 | Replacement Set Brake Rotor, ELK100 | 9515.3113.4 | | |

Figure 6. Hoist ELK100 for 1/2 ton, 1 ton and 2 ton - Exploded View

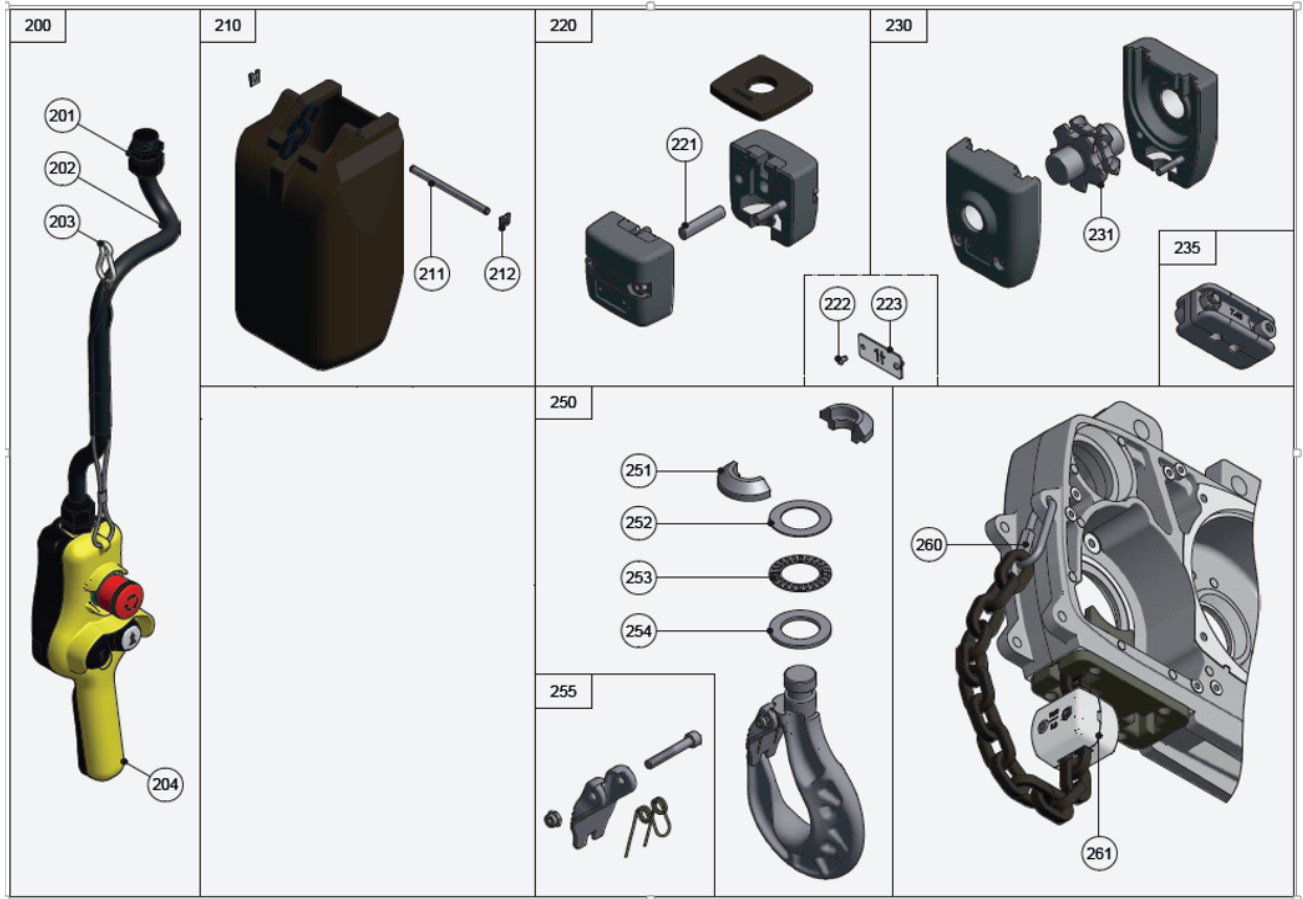


Table 7. Hoist ELK100 for 1/2 ton, 1 ton and 2 ton - Parts List

| Item No. | Part Description | Part Number | | |
|----------|-------------------------------------|-------------|-------|-------|
| | | 1/2 ton | 1 ton | 2 ton |
| 200 | Control Switch 2-Button Lift 10ft | 9290.1086.3 | | |
| | Control Switch 2-Button Lift 13ft | 9290.1087.3 | | |
| | Control Switch 2-Button Lift 16.4ft | 9290.1088.3 | | |
| | Control Switch 2-Button Lift 19.6ft | 9290.1089.3 | | |
| | Control Switch 2-Button Lift 23ft | 9290.2014.3 | | |
| | Control Switch 2-Button Lift 26ft | 9290.1090.3 | | |
| | Control Switch 2-Button Lift 32.8ft | 9290.1091.3 | | |
| | Control Switch 2-Button Lift 39ft | 9290.1092.3 | | |
| | Control Switch 2-Button Lift 49ft | 9290.1093.3 | | |
| | Control Switch 2-Button Lift 65.6ft | 9290.1094.3 | | |
| 201 | Cable Gland M20 | 9055.3102 | | |
| 202 | Control Cable 5x0.75mm ² | 9055.011 | | |
| 203 | Snap-Hook L=50mm, Ø5mm | 9031.8004 | | |
| 204 | Control Switch 2-Button | 9290.2000.3 | | |
| 210 | Chain Bucket, ELK100 | 9515.3016.0 | | |
| 211 | Bolt Chain Bag L=127mm, ELK100 | 9500.3086.4 | | |
| 212 | Safety Plate Gr.8,F. Chain Box | 9031.24 | | |
| 220 | Single Fall Hook Clamp, ELK100 | 9515.3094.3 | | |
| 221 | Oval Bolt | 9515.3072.4 | | |

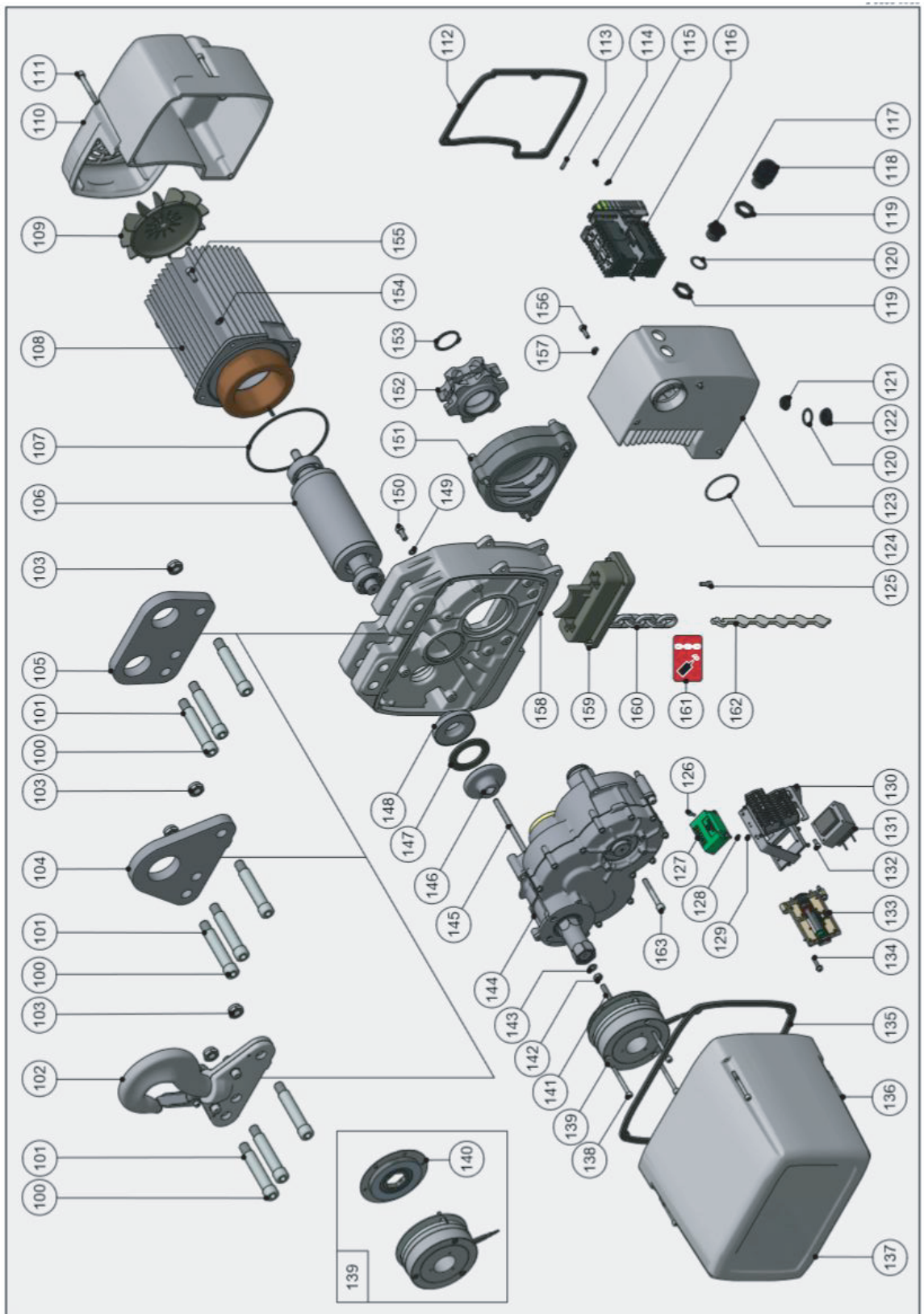
Hoist - ELK100 for 1/2 ton, 1 ton and 2 ton

Table 7. Hoist ELK100 for 1/2 ton, 1 ton and 2 ton - Parts List (continued)

| Item No. | Part Description | Part Number | | |
|----------|---------------------------------|-------------|-------------|-------------|
| | | 1/2 ton | 1 ton | 2 ton |
| 222 | Grooved Pin 3x5 | 9031.6604 | | |
| 223 | Plate Capacity | 9220.3471.4 | --- | --- |
| | Plate Capacity | --- | 9220.3474.4 | --- |
| | Plate Capacity | --- | --- | 9221.3412.4 |
| 230 | Double Fall Hook Clamp, ELK100 | 9515.3017.2 | | |
| 231 | Chain Wheel | 9515.3035.3 | | |
| 235 | Chain Holder Complete 2-Falls | 9515.3014.4 | | |
| 250 | Load Hook Compl. ELK100 | 9515.3082.4 | | |
| 251 | Half Moon Keeper | 9225.3096.4 | | |
| 252 | Washer 30/47x1 | 38.3128 | | |
| 253 | Thrust Bearing AXK3047 30/47x2 | 9038.0252 | | |
| 254 | Washer 30/47x3 | 9038.175 | | |
| 255 | Safety Latch Compl. | 9515.3119.4 | | |
| 260 | Quick Link 5.0mm | 9039.0409 | | |
| 261 | Limit Stop Assembly | 9515.3013.3 | | |
| 262 | Capacity Label 1/2 Ton, ELK100 | 47638532001 | --- | --- |
| 263 | Capacity Label 1 Ton, ELK100 | --- | 47636419001 | --- |
| 264 | Capacity Label 2 Ton, ELK100 | --- | --- | 47636420001 |
| 265 | Information Label, ELK100 | 47636421001 | | |
| 266 | Hazardous Voltage Warning Label | 71125751 | | |
| 267 | Do Not Lift Warning Label | 04306445 | | |
| 268 | Warning Tag | 4612776 | | |
| 269 | Warning Label - French | 47614971001 | | |
| 270 | Warning Label - French | 47614929001 | | |
| 271 | Warning Label - French | 47614930001 | | |

Hoist - ELK200 for 2 ton and 3 ton / ELK250 for 5 ton

Figure 7. Hoist ELK200 for 2 ton and 3 ton / ELK250 for 5 ton - Exploded View



Hoist - ELK200 for 2 ton and 3 ton / ELK250 for 5 ton

Table 8. Hoist - ELK200 for 2 ton and 3 ton / ELK250 for 5 ton - Parts List

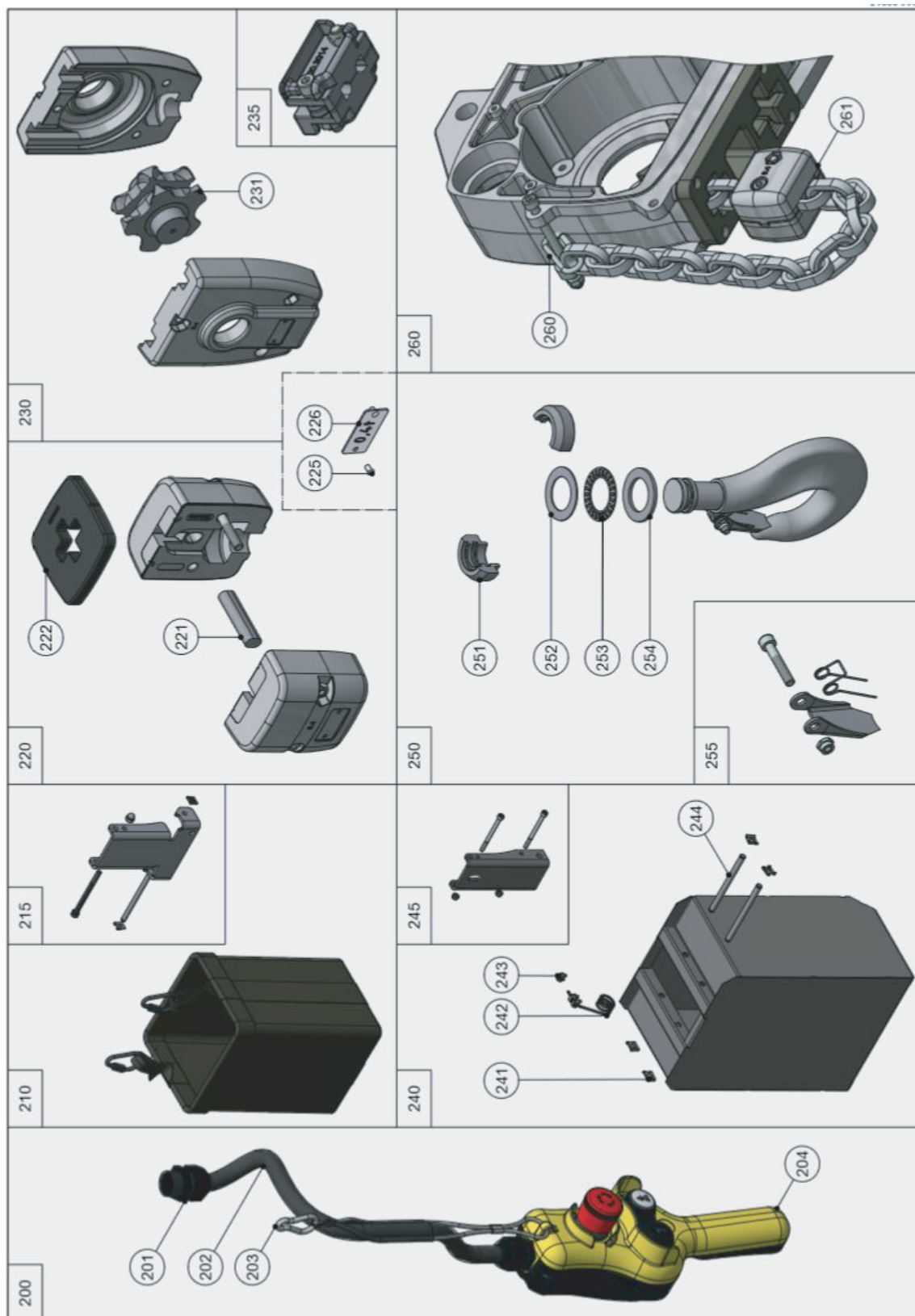
| Item | Part Description | Part Number | | |
|------|---|-------------|-------|-------------|
| | | ELK200 | | ELK250 |
| | | 2 ton | 3 ton | 5 ton |
| 100 | Screw M16x90/44 | 9030.0341 | | --- |
| | Screw M16 x 110/44 | --- | | 9030.0352 |
| 101 | Spacer Tube ø20/2.0x77 | 9520.3077.4 | | --- |
| | Spacer tube ø20/2.0x87 GP 2500 | --- | | 9521.3034.4 |
| 102 | Suspension, Hook | 9408.3070.3 | | 9521.3039.4 |
| 103 | Self-Locking Nut M16 | 9031.1281 | | |
| 104 | Eyebolt Suspension | 9408.3019.3 | | 9521.3028.3 |
| 105 | Eyebolt Suspension | 9408.3020.3 | | 9521.3027.3 |
| 106 | Rotor Spindle Dual Speed, L=170 | 9520.3027.3 | | |
| 107 | Gasket Ring Motor | 9515.3054.4 | | |
| 108 | Stator Compl. Dual Speed 3x230V 50/60Hz | 9527.0351.3 | | |
| | Stator Compl. Dual Speed 3x400V 50/60Hz | 9527.0350.3 | | |
| | Stator Compl. Dual Speed 3x460V 50/60Hz | 9527.0350.3 | | |
| 109 | Fan Wheel | 9515.3075.3 | | |
| 110 | Cover Combined | 9520.3011.2 | | |
| 111 | Hex. Socket Head Cap Screw M6x60/24 | 9030.0339 | | |
| 112 | Relay Box Gasket | 9520.3033.3 | | |
| 113 | Fuse 1.6A, UL | 9052.0012 | | |
| 114 | Hex. Socket Head Cap Screw M4x8 | 9030.0325 | | |
| 115 | Washer 4.3/8x0.8 Polyamide | 9031.3706 | | |
| 116 | Control Ass. 42V, Dual Speed | 9517.1100.2 | | |
| 117 | Blanking Plug M25x15mm Black | 9055.3517 | | |
| 118 | Cable Gland M25/RD PVC | 9055.3103 | | |
| 119 | Counter Nut M25 | 9055.4013 | | |
| 120 | Washer M25 29.5/23.2x1 | 9040.2511 | | |
| 121 | Blanking Plug M20 PVC | 9055.3512 | | |
| 122 | Blanking Plug M25 PVC | 9055.3513 | | |
| 123 | Control Box Lower Part | 9520.3006.2 | | |
| 124 | O-Ring Seal 59x2.5 NBR70 | 9035.0034 | | |
| 125 | Hex. Socket Head Cap Screw M6x16 | 9030.0322 | | |
| 126 | Hex. Socket Head Cap Screw M4x12 | 9030.0252 | | |
| 127 | Rectifier | 9050.4124 | | |
| 128 | M4 | 9031.3228 | | |
| 129 | Hex. Nut M4, VZ | 0031.0035 | | |
| 130 | Terminal Strip Max. 500V | 9527.1200.3 | | |
| 131 | Transformer Compl. 400/42V CSA | 9056.4701.4 | | |
| | Transformer Compl. 230/460/42V CSA | 9056.4741.4 | | |
| 132 | Hex. Socket Head Cap Screw M5x10 | 9030.0027 | | |
| 133 | Geared Limit Switch | 9500.3069.3 | | |
| 134 | Hex. Socket Head Cap Screw M5x25 | 9030.0022 | | |

Hoist - ELK200 for 2 ton and 3 ton / ELK250 for 5 ton

Table 8. Hoist - ELK200 for 2 ton and 3 ton / ELK250 for 5 ton - Parts List (continued)

| Item | Part Description | Part Number | | |
|------|-------------------------------------|-------------|-------------|-------------|
| | | ELK200 | | ELK250 |
| | | 2 ton | 3 ton | 5 ton |
| 135 | Cover Gasket | 9520.3034.3 | | |
| 136 | Hex. Socket Head Cap Screw M6/60/24 | 9030.0339 | | |
| 137 | Cover | 9520.3005.3 | | |
| 138 | Hex. Socket Head Cap Screw M6x60/24 | 9030.0282 | | |
| 139 | Brake FDB08 25Nm 200-240VAC 50/60Hz | 9050.4117 | | |
| | Brake FDB08 25Nm 360-420VAC 50/60Hz | 9050.4118 | | |
| | Brake FDB08 25Nm 440-480VAC 50/60Hz | 9050.4119 | | |
| | Brake FDB08 25Nm 500-575VAC 50/60Hz | 9050.4120 | | |
| 140 | Replacement Set Brake Rotor | 9405.3286.4 | | |
| 141 | Hex. Socket Set Screw M8x40 DIN913 | 9030.2018 | | |
| 142 | 0031.0008 | 0031.0008 | | |
| 143 | Washer 8.4/16x1.6 | 0031.0578 | | |
| 144 | Gear box compl. N GP 1600/2500 | 9520.3020.2 | | |
| | Gear box compl. S GP 1600/2500 | 9520.3022.2 | | |
| | Gear box compl. B GP 2500 | --- | | 9520.3023.2 |
| 145 | Parallel Pin 8h8x65 | 9031.5862 | | |
| 146 | Clutch Disc | 9520.3062.3 | | |
| 147 | Clutch Lining | 9520.3061.4 | | |
| 148 | Clutch Hub | 9520.3063.3 | | |
| 149 | Spring Washer M8 | 9031.3904 | | |
| 150 | Hex. Socket Head Cap Screw M8x30 | 9030.0288 | | |
| 151 | Chain Guide Compl. | 9520.3055.4 | 9521.3055.4 | |
| 152 | Chain Wheel | 9520.3030.1 | 9521.3030.1 | |
| 153 | Snap Ring A42x1.75 | 9031.2015 | | |
| 154 | Spring Washer M8 | 9031.3904 | | |
| 155 | Hex. Socket Head Cap Screw M8x25 | 9030.0287 | | |
| 156 | Hex. Socket Head Cap Screw M6x20 | 0030.9230 | | |
| 157 | Sealing Ring M6 10.5/6.5x2.5 | 9040.2508 | | |
| 158 | Casing | 9520.3000.2 | 9521.3000.2 | |
| 159 | Stop Plate | 9520.3008.2 | 9521.3008.2 | |
| 160 | Load Chain 9.4x27.4 | 47715629001 | | --- |
| | Load Chain Chain 11.75 x 32.9 | --- | | 47715630001 |
| 161 | Chain Oil, 16oz | 47580935001 | | |
| 162 | Chaining Device 9.4mm | 9041.6037 | 9041.6038 | |
| 163 | Hex. Socket Head Cap Screw M8x65/28 | 9030.0345 | | |

Figure 8. Hoist - ELK200 for 2 ton and 3 ton / ELK250 for 5 ton - Exploded View



Hoist - ELK200 for 2 ton and 3 ton / ELK250 for 5 ton

Table 9. Hoist - ELK200 for 2 ton and 3 ton / ELK250 for 5 ton - Parts List

| Item | Part Description | Part Number | | |
|------|---|-------------|-------------|-------------|
| | | ELK200 | | ELK250 |
| | | 2 ton | 3 ton | 5 ton |
| 200 | Control switch GCH 2-Button Lift 10ft | 9290.1086.3 | | |
| | Control switch GCH 2-Button Lift 13ft | 9290.1087.3 | | |
| | Control switch GCH 2-Button Lift 16.4ft | 9290.1088.3 | | |
| | Control switch GCH 2-Button Lift 19.6ft | 9290.1089.3 | | |
| | Control switch GCH 2-Button Lift 23ft | 9290.2014.3 | | |
| | Control switch GCH 2-Button Lift 26ft | 9290.1090.3 | | |
| | Control switch GCH 2-Button Lift 32.8ft | 9290.1091.3 | | |
| | Control switch GCH 2-Button Lift 39ft | 9290.1092.3 | | |
| | Control switch GCH 2-Button Lift 49ft | 9290.1093.3 | | |
| | Control switch GCH 2-Button Lift 65.6ft | 9290.1094.3 | | |
| 201 | Cable Gland M20 | 9055.3102 | | |
| 202 | Control Cable 5x0.75mm ² | 9055.0110 | | |
| 203 | Snap-Hook L=40mm, Ø4mm | 9031.8007 | | |
| 204 | Control Switch 2-Button | 9290.2000.3 | | |
| 210 | Textile Chain Bucket S | 9520.3109.3 | | |
| | Textile Chain Bucket M | 9520.3110.3 | | |
| | Textile Chain Bucket L | 9520.3111.3 | | |
| | Textile Chain Bucket XL | 9520.3112.3 | | |
| 215 | Susp. Bracket Textile Cont. | 9520.3113.3 | | |
| 220 | Single Fall Hook Clamp | 9520.3094.2 | --- | 9521.3075.2 |
| 221 | Oval Bolt | 9520.3072.4 | --- | 9521.3072.4 |
| 222 | Rubber Buffer Clamp Assembly | 9520.3065.3 | --- | 9520.3065.3 |
| 225 | Grooved Pin 3x5 | 9031.6604 | | |
| 226 | Plate Capacity | 9221.3412.4 | 9230.3227.4 | 9235.3064.4 |
| 230 | Double Fall Hook Clamp | --- | 9520.3017.1 | 9521.3017.1 |
| 231 | Chain Wheel | --- | 9520.3035.3 | 9521.3035.3 |
| 235 | Chain Holder Complete 2-Falls | --- | 9520.3014.4 | 9521.3014.4 |
| 240 | Steel Chain Bucket, 32.8/19.7ft | 9520.3204.2 | | |
| | Steel Chain Bucket, 49.2/29.52ft | 9520.3208.2 | | |
| | Steel Chain Bucket, 65.6/39.4ft | 9520.3212.2 | | |
| | Steel Chain Bucket, 98.4/55.76ft | 9520.3220.2 | | |
| | Steel Chain Bucket, 131.2/75.44ft | 9520.3228.2 | | |
| | Steel Chain Bucket, 164/98.4ft | 9520.3236.2 | | |
| 241 | Safety Cable Gr. 12 | 9031.2403 | | |
| 242 | Wire Rope d.2mm PVC | 9039.1002 | | |
| 243 | Hose Clamp 2-3.5mm 1/8" | 9039.1102 | | |
| 244 | Bolt Steel Chain Bucket | 9520.3194.4 | | |
| 245 | 108x213x40.5 | 9520.3195.4 | | |
| 250 | Load Hook Compl. | 9408.3161.4 | | 9521.3023.3 |
| 251 | Half Round Disc | 9235.3107.4 | | 9521.3020.4 |

Hoist - ELK200 for 2 ton and 3 ton / ELK250 for 5 ton

Table 9. Hoist - ELK200 for 2 ton and 3 ton / ELK250 for 5 ton - Parts List (continued)

| Item | Part Description | Part Number | | |
|---------|---------------------------------|-------------|-------------|-------------|
| | | ELK200 | | ELK250 |
| | | 2 ton | 3 ton | 5 ton |
| 252 | Washer 30/47x1 | 0038.3128 | | --- |
| | Washer 35/52x1 | --- | | 0038.3126 |
| 253 | Thrust Bearing AXK3047 30/47x2 | 9038.0252 | | --- |
| | Thrust Bearing AXK3552 35/52x2 | --- | | 9038.0253 |
| 254 | Washer 30/47x3 | 9038.1750 | | --- |
| | Washer 35/52x3.5 | --- | | 9038.1765 |
| 255 | Safety Latch Compl. | 9220.3482.4 | | 9521.3025.4 |
| 260 | Quick Link 6.0mm | 9039.0413 | | |
| 261 | Limit Stop Assembly | 9520.3013.2 | | 9521.3013.2 |
| 262 (a) | Capacity Label | 47714150001 | 47714149001 | 47714148001 |
| 263 (a) | Information Label | 47636421001 | | |
| 264 (a) | Hazardous Voltage Warning Label | 71125751 | | |
| 265 (a) | Do Not Lift Warning Label | 04306445 | | |
| 266 (a) | Warning Tag | 4612776 | | |
| 267 (b) | Warning Label-French | 47614971001 | | |
| 268 (b) | Warning Label-French | 47614929001 | | |
| 269 (b) | Warning Label-French | 47614930001 | | |

(a) Indicates Not Illustrated

(b) CSA-compliant

