

## PARTS, OPERATION AND MAINTENANCE MANUAL for RATCHET PULLER MODELS

### C225H (Wire Rope)

1000 lb (450 kg) Single Line  
2000 lb (900 kg) Double Line

### C400H (Wire Rope)

1700 lb (770 kg) Single Line  
3400 lb (1540 kg) Double Line

### C300H (Wire Rope)

1400 lb (635 kg) Single Line  
2800 lb (1270 kg) Double Line

### C400S (Synthetic Strap)

2000 lb (900 kg) Single Strap  
4000 lb (1800 kg) Double Strap

## MANUAL DE PIEZAS, OPERACIÓN Y MANTENIMIENTO para LOS MODELOS DE ELEVADORES-TENSORES DE TRINQUETE

### C225H (Cable metálico)

1000 lb (450 kg) línea sencilla  
2000 lb (900 kg) línea doble

### C400H (Cable metálico)

1700 lb (770kg) línea sencilla  
3400 lb (1540 kg) línea doble

### C300H (Cable metálico)

1400 lb (635 kg) línea sencilla  
2800 lb (1270 kg) línea doble

### C400S (Correa sintética)

2000 lb (900 kg) correa sencilla  
4000 lb (1800 kg) correa doble

## MANUEL DE PIÈCES, DE FONCTIONNEMENT ET D'ENTRETIEN pour les PALANS À LEVIER MODÈLE

### C225H (câble métallique)

Ligne simple, 1000 lb (450 kg)  
Ligne double, 2000 lb (900 kg)

### C400H (câble métallique)

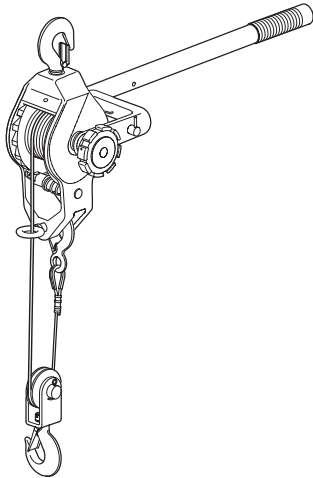
Ligne simple, 1700 lb (770 kg)  
Ligne double, 3400 lb (1540 kg)

### C300H (câble métallique)

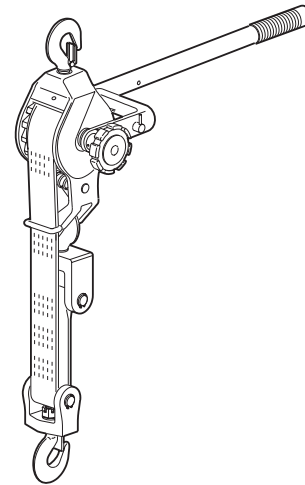
Ligne simple, 1400 lb (635 kg)  
Ligne double, 2800 lb (1270 kg)

### C400S (sangle synthétique)

Sangle simple, 2000 lb (900 kg)  
Sangle double, 4000 lb (1800 kg)



(Dwg. MHP1893)

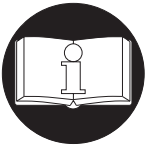


(Dwg. MHP1905)

E  
N  
G  
L  
I  
S  
H

E  
S  
P  
A  
Ñ  
O  
L

F  
R  
A  
N  
Ç  
A  
I  
S



**READ THIS MANUAL BEFORE USING THESE PRODUCTS.** This manual contains important safety, installation, operation and maintenance information. Make this manual available to all persons responsible for the operation, installation and maintenance of these products.

**⚠ WARNING**

**Do not use this puller for lifting, supporting, or transporting people or lifting or supporting loads over people.**

**Always operate, inspect and maintain this puller in accordance with ASME B30.21 and any other applicable safety codes and regulations.**

**SAFETY INFORMATION**

This manual provides important information for all personnel involved with the safe installation, operation and proper maintenance of this product. Even if you feel you are familiar with this or similar equipment, you should read this manual before operating the product.

**Danger, Warning, Caution and Notice**

Throughout this manual there are steps and procedures which, if not followed, may result in a hazard. The following signal words are used to identify the level of potential hazard.

**⚠ DANGER**

Danger is used to indicate the presence of a hazard which *will* cause *severe* injury, death, or substantial property damage if the warning is ignored.

**⚠ WARNING**

Warning is used to indicate the presence of a hazard which *can* cause *severe* injury, death, or substantial property damage if the warning is ignored.

**⚠ CAUTION**

Caution is used to indicate the presence of a hazard which *will* or *can* cause injury or property damage if the warning is ignored.

**NOTICE**

Notice is used to notify people of installation, operation, or maintenance information which is important but not hazard-related.

**Safety Summary**

**⚠ WARNING**

- Pullers are designed to provide a 4 to1 safety factor and are factory tested to 125% of the rated load. The supporting structures and load-attaching devices used in conjunction with this puller must provide adequate support to handle all puller operations, plus the weight of the puller and attached equipment. This is the customer's responsibility. If in doubt, consult a registered structural engineer.

**Ingersoll-Rand** pullers are manufactured in accordance with the latest ASME B30.21 standards.

The National Safety Council, Accident Prevention Manual for Industrial Operations, Eighth Edition and other recognized safety sources make a common point: Employees who work near cranes or assist in hooking on or arranging a load should be instructed to keep out from under the load. From a safety standpoint, one factor is paramount: conduct all lifting or pulling operations in such a manner that if there were an equipment failure, no personnel would be injured. This means keep out from under a raised load and keep out of the line of force of any load.

The Occupational Safety and Health Act of 1970 generally places the burden of compliance with the user, not the manufacturer. Many OSHA requirements are not concerned or connected with the manufactured product but are, rather, connected with the final installation. It is the owner's and user's responsibility to determine the suitability of a product for any particular use. It is recommended that all applicable industry, trade association, federal, state and local regulations be checked. Read all operating instructions and warnings before operation.

**Rigging:** It is the responsibility of the operator to exercise caution, use common sense and be familiar with proper rigging techniques. Refer to ASME B30.9 for rigging information, American National Standards Institute, 1430 Broadway, New York, NY 10018.

## SAFE OPERATING INSTRUCTIONS

The following warnings and operating instructions have been adapted in part from American National Standard ASME B30.21 and are intended to avoid unsafe operating practices which might lead to injury or property damage.

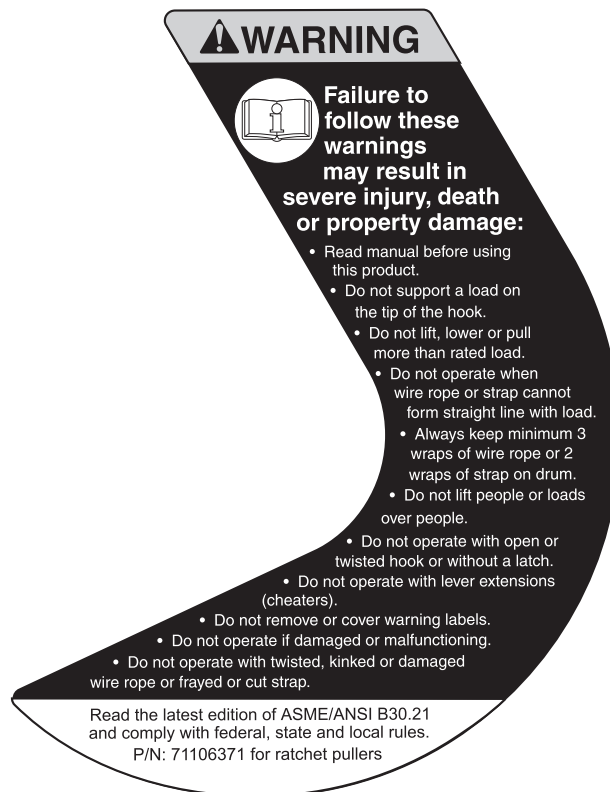
Safe Operating Instructions are provided to make an operator aware of dangerous practices to avoid and are not necessarily limited to the following list. Refer to specific sections in the manual for additional safety information.

1. Only allow personnel trained in safety and operation to operate the puller.
2. Only operate puller if you are physically fit to do so.
3. When a **“DO NOT OPERATE”** sign is placed on the puller, do not operate puller until sign has been removed by designated personnel.
4. Before use, the operator should inspect puller for wear or damage.
5. Never use a puller which inspection indicates is worn or damaged.
6. Do not use puller if hook latch has been sprung or is broken.
7. Check that the hook latches are engaged before using.
8. Only pull loads less than or equal to the rated capacity of the puller. Refer to capacity labels attached to the puller.
9. When using two pullers on one load, select two pullers both having a rated capacity equal to or more than the load. This provides adequate safety in the event of a sudden load shift.
10. Never use the puller wire rope or strap as a sling.
11. Position load correctly. Do not place load on hooks except in a straight pulling line. Do not “side pull” or “yard”.
12. Never operate a puller with twisted, kinked, or damaged wire rope or frayed or cut strap.
13. Do not force a hook into place by hammering.
14. Be certain load is properly seated in saddle of hook and hook latch is engaged.
15. Do not support load on tip of hook.
16. Never run the wire rope or strap over a sharp edge.
17. Pay attention to load at all times when operating puller.
18. Always ensure that you, and all other people, are clear of the path of the load. Do not lift a load over people.
19. Never use puller for lifting or lowering people, and never allow anyone to stand on a moving or suspended load.
20. Ease slack out of wire rope or strap when starting a pull. Do not jerk load.
21. Do not swing a suspended load.
22. Never weld or cut a load suspended by puller.
23. Never use puller wire rope as a welding electrode.
24. Do not operate puller if jamming, overloading, or binding occurs.
25. Do not use a cheater bar or extended handle.
26. Always use gloves when handling wire rope.
27. When tensioning heavy loads allow for stretch in the strap.

## WARNING LABEL

Each puller is supplied from the factory with warning label shown. The self adhesive label must be clearly visible on puller at all times. If label is not attached to your puller, order new label and install it.

Refer to the parts list for part number. Read and obey all warnings and other safety information attached to this puller. Warning label may be shown smaller than actual size.



# SPECIFICATIONS

**Table 1**

Model No.		Rated Capacity*		Pulling Distance		Max Wire Rope Dia.		Min. Distance Between Hooks		Net Weight	
		lb	kg	feet	m	inch	mm	inch	cm	lb	kg
C225H	Single Line	1000	450	38	11.6	0.187	5	17	43	14	6.4
	Double Line	2000	900	19	5.8			22	56		
C300H	Single Line	1400	635	30	9.1	0.218	6	17	43	15	6.8
	Double Line	2800	1270	15	4.6			22	56		
C400H	Single Line	1700	770	20	6.1	0.250	6	17	43	16	7.3
	Double Line	3400	1540	10	3			22	56		
						<b>Strap Size</b>					
C400S	Single Strap	2000	900	12	3.7	1-7/8 x 3/32	47.8 x 2.4	17	43	10.8	4.9
	Double Strap	4000	1800	6	1.8			22	56	17.4	7.9

\* Based on first layer of drum. Rated capacity decreases as drum fills with wire rope / synthetic strap.

## OPERATION

Puller must not be used for lifting and lowering. Use in pulling applications only.

### Puller Loading Methods

The 'C' Series Ratchet Puller can be used in any position provided it is rigged to pull in a straight line from top hook to bottom hook.

When operating in limited areas suitable slings must be used to prevent puller body and handle from being obstructed.

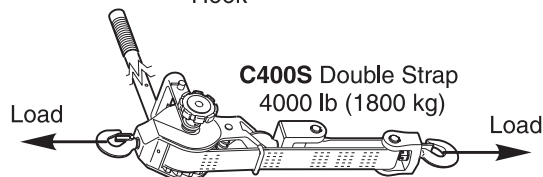
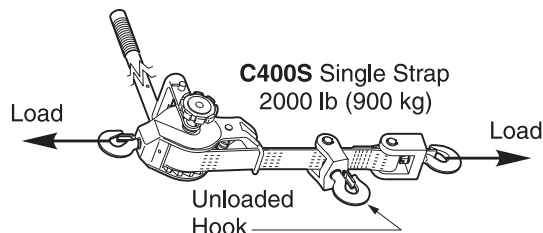
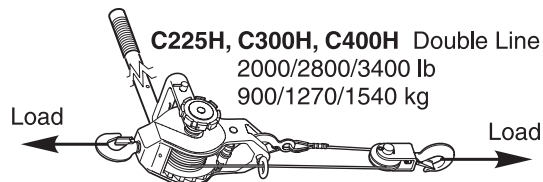
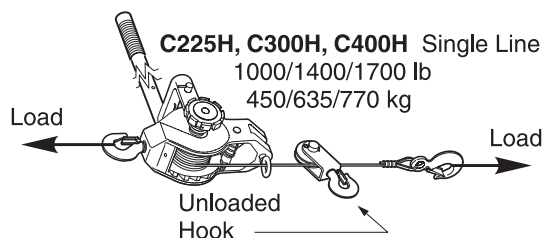
### ⚠ WARNING

- Always maintain three or more wraps of wire rope or two or more wraps of strap on the drum.
- Do not use a "cheater bar" or extended handle.

To double capacity of puller when rigged with a single line, connect wire rope/strap and hook assembly (19) to spacer (39) and attach pulley block assembly (46) to load. (Refer to Dwg. MHP1881 on page 4).

### Installing and Removing Handle

1. Handle (21) may be installed into either end of "U" frame (9).
2. Insert spring (22) loop, on end of handle (21), into "U" frame (9) and press in handle. Align projection of spring (22) with small cutout in "U" frame (9) and press until handle (21) locks into place.
3. To remove handle (21), press loop on spring (22) until it clears "U" frame (9). Pull out handle (21).

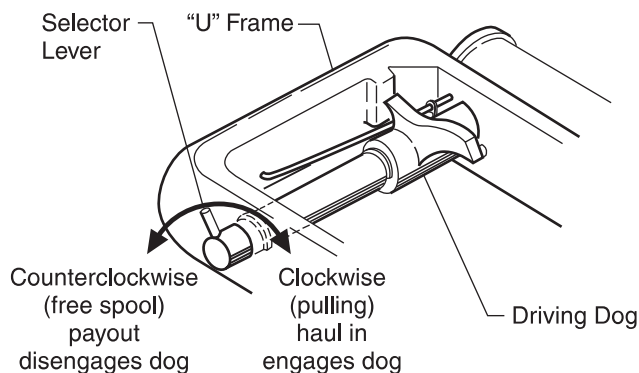


(Dwg. MHP1881)

### Positioning Unloaded Hook (Free Spooling)

1. Before positioning hook, ensure puller is in a no-load condition.

- To disengage driving dog (10) from drum (13) teeth, face knob (15) and rotate selector lever (28) counterclockwise to the payout position.



(Dwg. MHP0850)

**NOTICE**

- **Selector lever (28) is located on "U" frame (9) near drum (13).**
- Disengage holding dog (6) from drum teeth by pressing lever on holding dog towards drum.
  - Pull on wire rope/strap assembly (19) hook and move to desired location.
  - Release lever on holding dog.
  - Take up wire rope/strap slack by rotating knob (15) clockwise.

**Tensioning the Load**

- To engage driving dog (10) with drum (13) teeth, face knob (15) and rotate selector lever (28) clockwise to haul-in position.
- Ratchet handle back and forth. Ratcheting handle towards holding dog (6) moves drum.

**Releasing the Load**

- To disengage driving dog (10) from drum teeth, face knob (15) and rotate selector lever (28) counterclockwise to payout position.
- Move handle towards holding dog (6) until driving dog (10) disengages holding dog (6), allowing load to be released one drum tooth at a time. Repeat short ratchet movement until load is in desired location.

**NOTICE**

- **Holding dog is engaged when paying out or hauling in loaded wire rope / strap.**

**Rewinding Wire Rope or Strap**

When puller is in a no-load condition, use knob (15) to wind wire rope or strap back onto drum.

- To disengage driving dog from drum teeth, face knob (15) and rotate selector lever (28) counterclockwise to payout position.
- Rotate knob (15) clockwise to rewind wire rope or strap.

**NOTICE**

- **When rewinding wire rope or strap, apply tension to prevent slack. This will help achieve level and tight spooling of wire rope or strap onto drum.**

**Storing Puller**

- Always store puller in a no-load condition.
- Wipe off all dirt and water.
- Oil wire rope, hook pins and hook latch pins.
- On strap puller clean and dry strap material.
- Store in a dry place.

**INSPECTION**

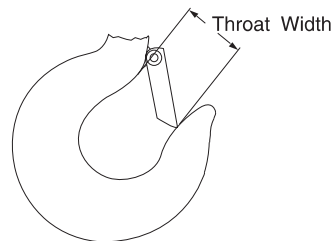
There are two types of inspection, frequent inspection performed by operator and more thorough periodic inspections performed by personnel trained in operation and repair of this puller. Careful inspection on a regular basis will reveal potentially dangerous conditions while still in early stages, allowing corrective action to be taken before condition becomes dangerous. Any deficiency revealed through inspection must be corrected before resuming operation of the puller. A determination must be made as to whether a deficiency constitutes a safety hazard.

**Frequent Inspection**

The ratchet puller should be inspected prior to each use. Visual observations should be conducted during regular operation for any evidence of damage or malfunction.

- OPERATION.** Check for visual signs or abnormal noises which could indicate a potential problem. Ensure handle mechanism, driving dog and holding dog function properly. Repair or replace if damaged.
- HOOKS.** Check for wear or damage, increase throat width, bent shank or twisting of hook. Replace hooks which exceed throat opening discard width specified in Table 2 (refer to Dwg. MHP0040 on page 5) or exceed a 10° twist (refer to

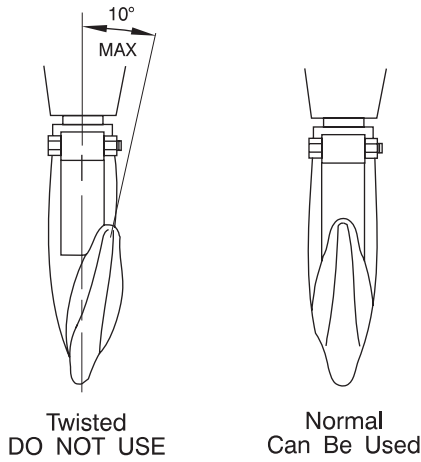
Dwg. MHP0111 on page 6). If hook latch snaps past tip of hook, hook is sprung and must be replaced.



(Dwg. MHP0040)

**Table 2**

Hook (All Models):	Throat Width		Discard Width	
	in	mm	in	mm
Top Swivel	0.98	24.9	1.13	28.7
Yoke				
Eye (On Cable)	0.96	24.4	1.1	27.9



(Dwg. MHP0111)

3. HOOK LATCHES. Check operation of hook latches. Replace if broken or missing.
4. WIRE ROPE. Lubricate if necessary. Replace the wire rope if damaged or excessively worn. Consult the wire rope manufacturer's inspection information or a recognized safety source, such as the latest edition of National Safety Council, Accident Prevention Manual for Industrial Operations or ASME B30.21. The following list is a users' guide to the accepted standards by which wire rope must be judged and is not presented as a substitute for an experienced inspector.
  - a. Damage, such as bird cages, kinking, core protrusion, crushing, heat damage, and main strand displacement.
  - b. Corrosion and nicking.
  - c. Wear of crown wires. Replace at 1/3 wear of the original diameter of any crown wire.
  - d. Broken wires or strands, particularly at connections. Replacement is necessary if one wire is broken at a connection; twelve wires broken within one lay; four broken wires in one strand within one lay.
5. SYNTHETIC STRAP. Strap should be clean and dry. Remove any lubricant or dirt. Replace strap if frayed or cut.
6. WIRE ROPE/STRAP REEVING. Check reeving and ensure wire rope or strap is properly secured to the drum. Refer to "Installing Wire Rope" or "Installing Synthetic Strap" in "MAINTENANCE" section.
7. HANDLE. Check for cracks, bending and other damage. Replace if necessary.

**Periodic Inspection**

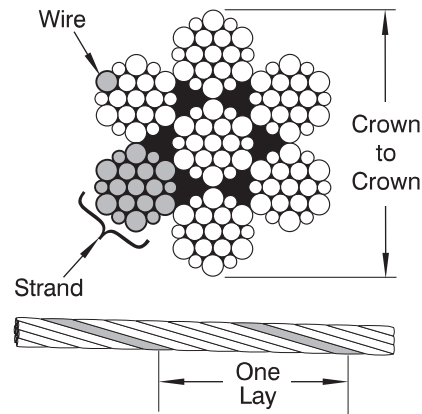
According to ASME B30.21, frequency of periodic inspection depends on the severity of usage:

NORMAL	HEAVY	SEVERE
yearly	semiannually	quarterly

Disassembly may be required for HEAVY or SEVERE usage. Keep accumulative records of periodic inspections to provide a basis for continuing evaluation. Inspect all items in "Frequent Inspection". Also inspect the following:

1. FASTENERS. Check rivets, capscrews, nuts, cotter pins, and other fasteners on hooks and puller frame. Replace if missing and tighten or secure if loose.
2. ALL COMPONENTS. Inspect for wear, damage, distortion and cleanliness. If external evidence indicates the need, disassemble. Check teeth, frame, shafts, drum, sheaves, guides, springs and covers. Replace worn or damaged parts. Clean, lubricate and reassemble.

3. HOOKS. Inspect hooks for cracks. Use magnetic particle or dye penetrant to check for cracks. Inspect hook retaining parts. Tighten, repair or replace if necessary. Refer to latest edition of ASME B30.10 (Hooks) for additional hook inspection information.
4. DRUM AND SHEAVES. Check for excessive wear or damage. Replace if necessary.
5. DOG MECHANISMS. Check dogs engage drum teeth. Check holding dog pawl, driving dog pawl and drum teeth for cracks, wear or damage. Check springs for distortion or damage. Repair or replace parts as necessary.
6. LABELS. Check for presence and legibility. Replace if necessary.
7. WIRE ROPE. Besides the items in a frequent inspection, inspect for the following:
  - a. Build-up of dirt and corrosion. Clean if necessary.
  - b. Loose or damaged end connection. Replace if loose or damaged.
  - c. Check wire rope anchor is secure.
  - d. Changes in size of the wire rope diameter. Periodically measure diameter of wire rope from crown-to-crown throughout life of wire rope. The actual diameter should be recorded when wire rope is under equivalent loading and in the same operating section. If actual diameter of wire rope has decreased more than 1/64 in. (0.4 mm) a thorough examination of wire rope should be conducted by an experienced inspector to determine the suitability of wire rope to remain in service. Refer to Dwg. MHP0056 on page 6.



(Dwg. MHP0056)

8. SYNTHETIC STRAP. Inspect material surface. Replace if torn, cut, frayed or worn.



## LUBRICATION

### Pivot Points and Bearings

As required by severity of usage, lubricate hook latch pins, hook pins, driving and holding dog pivot points, and the drum and sheave bearings with **Ingersoll-Rand LUBRI-LINK-GREEN** or SAE 30W oil. If puller is disassembled, lubricate pivot points and bearings with grease.

### Wire Rope

1. Clean with a brush or steam if there is dirt or other foreign material on the surface of the wire rope.

### CAUTION

- Do not use an acid-based solvent or other cleaning fluid.
2. Apply **Ingersoll-Rand LUBRI-LINK-GREEN** or SAE 30W oil.
  3. Brush, drip or spray lubricant weekly, or more frequently, depending on severity of service.

### Synthetic Strap

1. Synthetic strap should not be lubricated. Keep strap clean and dry.

## MAINTENANCE

### WARNING

- Never perform maintenance on the puller when there is a load on the wire rope or strap.
- Before performing maintenance, tag puller:  
**WARNING - DO NOT OPERATE - EQUIPMENT BEING REPAIRED.**
- Only allow personnel trained in operation and service of this product to perform maintenance.
- After performing maintenance test puller to 125% of its rated capacity before returning to service.

### Removing Wire Rope

1. Free spool wire rope off drum. Refer to "Positioning Unloaded Hook (Free Spooling)" in "OPERATION" section.
2. Remove shield cotter pin (31), retainer ring (38), retainer pin (25) and shield (20).

### CAUTION

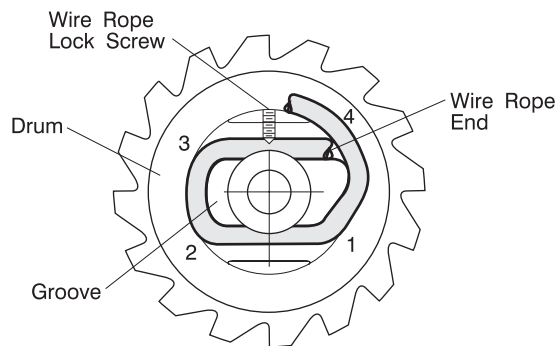
- Do not loosen drum retainer screw (23) located underneath the wire rope lock screw (24).
3. Loosen lock screw (24) and remove wire rope assembly (19).
  4. Push wire rope through hole 1 until there is a small loop between holes 2 and 3.
  5. Loosen lock screw (24) and pull wire rope end free of drum. Pull rope through holes 2 and 1 and discard.

### Removing Synthetic Strap

1. Free spool strap off drum. Refer to "Positioning Unloaded Hook (Free Spooling)" in "OPERATION" section.
2. Remove drum from frame. Refer to "Drum Removal" in "MAINTENANCE" section.
3. Remove setscrew (61) and push strap shaft (62) out of drum. Remove and discard strap.

### Installing Wire Rope

1. Cut wire rope to length and fuse end to prevent fraying of strands in accordance with wire rope manufacturer's instructions.
2. Insert end of wire rope through eye bolt (2).
3. Feed end of wire rope into drum (13) Hole 1, out Hole 2, along drum groove and back into Hole 3. Refer to Dwg. MHP0081 on page 7.
4. Position wire rope end just beneath surface of drum near Hole 4. Secure by tightening lock screw (24).
5. Pull on hook end of wire rope until wire rope is seated in drum groove.



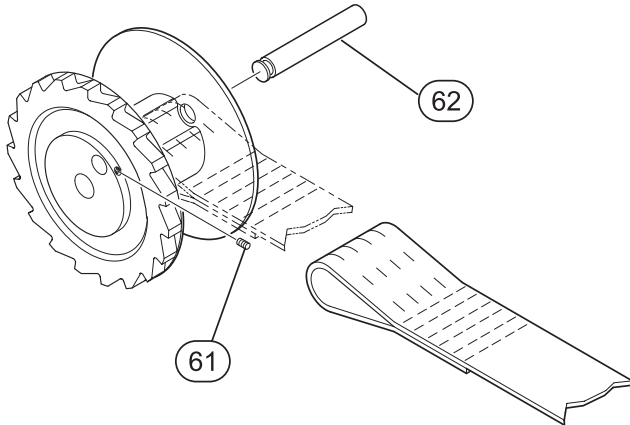
(Dwg. MHP0081)

6. Install shield (20) and secure with retainer pin (25), retainer ring (38) and cotter pin (31).
7. While keeping wire rope under tension, rewind wire rope onto drum.

## Installing Synthetic Strap

Refer to Dwg. MHP1880 on page 8.

1. Refer to "Removing Synthetic Strap" in "MAINTENANCE" section.
2. Remove setscrew (61) and pin (62).
3. Insert new strap. Replace pin and setscrew.
4. Install drum. Refer to "Drum Replacement" in "MAINTENANCE" section.
5. Replace shield (20) and secure.

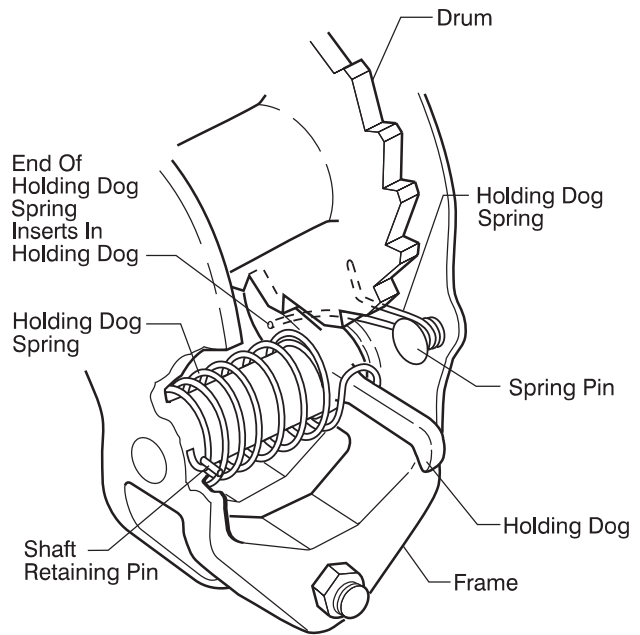


(Dwg. MHP1880)

## Holding Dog Spring Replacement

Refer to Dwg. MHP0164 on page 12.

1. Cut off head of spring pin (4) and remove from frame (1).
2. Drive out retainer pin (36) with a 1/8 in. (3 mm) diameter pin punch.
3. Tap or push holding dog shaft (7) through frame from lever side just far enough to clear holding dog (6).
4. Remove holding dog (6).
5. Remove old holding dog spring (8) from holding dog (6) and replace with a new spring (8).
6. Position holding dog (6) so that it engages teeth of drum (13) and prevents drum rotation. Ensure that spring (8) can be rotated into position.
7. Tap holding dog shaft (7) back through holding dog (6) and into frame (1). Align holes for retainer pin (36) in frame (1) and holding dog (6).
8. Install retainer pin (36). To give holding dog spring (35) a place to attach, leave part of retainer pin (36) sticking out of frame (1) on same side of puller as holding dog lever.
9. Install spring (35) by placing small "hook" end over retainer pin (36) and other end over holding dog (6). The spring (35) should keep holding dog engaged in drum teeth.
10. Position loop in holding dog spring (8) over spring pin hole in frame (1).
11. Install new spring pin (4) with large head on inside of frame (1). Support large head and secure pin (4) by mushrooming out small end.



(Dwg. MHP0481)

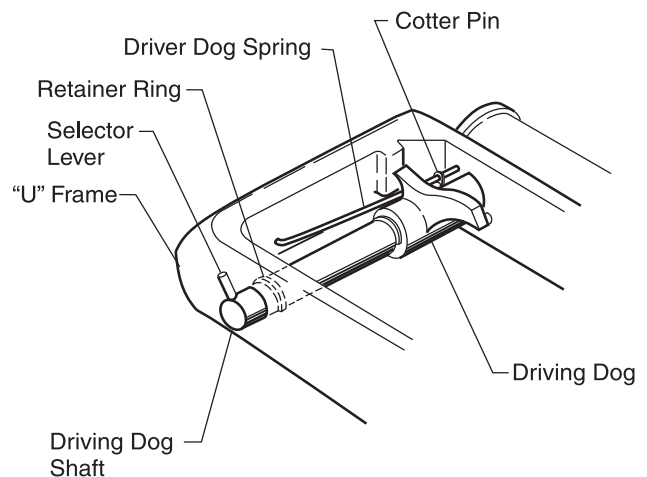
## Driving Dog Spring Replacement



**CAUTION**

• The driving dog spring (12) is under tension. Exercise caution while removing to avoid injury.

1. To remove driving dog spring (12), insert a screwdriver blade between spring (12) and "U" frame (9) and pry out.



(Dwg. MHP0144)

To install a new spring, use the following procedure:

1. Remove retainer ring (32) which is flush against driving dog (10).
2. Slide driving dog (10) towards center of drum (13).
3. When facing knob (15), rotate selector lever (28) clockwise so end of spring (12) can be inserted into driving dog pin (27).
4. Insert end of spring (12) into pin (27).
5. While pulling out on selector lever (28), rotate it counterclockwise 90 degrees.



6. Slide driving dog (10) back into position. It should engage drum teeth. If you are unable to position the dog (10), try rotating “U” frame to make room.
7. Install retainer ring (32) onto driving dog shaft (11).

#### “U” Frame or Drum Removal

1. Remove handle (21) if attached.
2. Remove wire rope from drum. Refer to “Removing Wire Rope” in “MAINTENANCE” section.
3. To access screw (23), remove lock screw (24).
4. Loosen screw (23). Do not remove.
5. Remove drum shaft retainer ring (41).
6. Remove knob (15) and drum shaft (14) as a unit, by rotating knob (15) back and forth and pulling.
7. Pull out “U” frame (9).
8. Remove drum (13).

#### “U” Frame or Drum Replacement

1. Install drum (13) with drum teeth engaging holding dog (6).

#### NOTICE

• **If drum is difficult to install, try installing it from opposite side of frame (1) and hold holding dog release spring (8) out of the way.**

2. Align holes in “U” frame (9) with holes in frame (1). Orientate “U” frame (9) so that driving dog (10) engages drum teeth and can operate spring (8) on holding dog (6).
3. Note position of dimple in drum shaft (14) in relationship to knob (15) or retainer pin (29). Align dimple with drum shaft retaining screw (23) during drum shaft installation.

#### NOTICE

• **Place a mark on knob (15) in line with drumshaft (14) dimple to aid alignment.**

4. Insert knob (15) and drum shaft (14) as an assembly.
5. Install retainer ring (41) to fix position of drum shaft (14).
6. Check alignment of dimple with screw (23), realign if necessary.
7. Tighten screw (23). The screw (23) attaches drum (13) to drum shaft (14).
8. Install wire rope or strap. Refer to “Installing Wire Rope” or “Installing Synthetic Strap” in “MAINTENANCE” section.
9. Check driving dog (10) operation by moving selector lever to haul in and payout positions.

#### Removing Hook

1. Switch selector lever to DOWN and move “U” frame (9) out of the way by rotating towards hook on wire rope assembly (19).
2. Rotate hook (5) to give the most room on back side.
3. Remove retainer pin (29).
4. Remove hook (5) by holding nut (26) with either a screwdriver in one of the slots or a wrench, and rotating hook counterclockwise.

#### Installing Hook

1. Align nut (26) and thrust washer (33) with hole in frame (1) for hook (5).
2. Hold nut (26) in place and install hook (5). Make sure hook (5) is loose enough to swivel freely and that hole in hook shank aligns with one of the slots in nut (26).
3. Secure nut (26) by installing retainer pin (29). Center pin (29) in hook shank and nut (26).

#### Adding a Pulley Yoke Assembly

To double capacity (the operating speed will be halved) of a puller rigged for single line, install a pulley block assembly (46) and rig puller for **wire rope** double line.

To install a pulley block assembly, remove wire rope or strap. Refer to “Removing Wire Rope” in “MAINTENANCE” section. Slide pulley block assembly over end of wire rope or strap and reinstall wire rope.

#### Synthetic Strap

1. Remove one retainer ring (41), press shaft (66) out of swivel block (67). Catch washers (63) and puller hook roller (64).
2. Place strap (19) in swivel block.
3. Insert shaft through swivel block, washer, pulley hook roller and washer and secure with retainer ring.

#### Replacing a Hook Latch

1. Using an air or hand file, remove head of hook latch pin (44).
2. Drive out hook latch pin and remove latch (42) and spring (43).

#### Installing New Hook Latch

1. Position spring (43) in latch (42) so long free ends of the spring are under latch.
2. Hold spring loop compressed and place spring and latch onto hook.
3. Insert a new pin (44) and mushroom head to secure latch.
4. Check latch moves freely and end of latch does not go past tip of hook.

#### NOTICE

• **Use only genuine Ingersoll-Rand parts.**

## TROUBLESHOOTING

This section provides basic troubleshooting information. Specific causes to problems are best identified by thorough inspections performed by personnel instructed in safety, operation and maintenance of this equipment. The chart below provides a brief guide to common puller symptoms, probable causes and remedies.

SYMPTOM	CAUSE	REMEDY
Puller does not ratchet.	Broken ratchet tooth on drum.	Replace drum.
	Broken spring.	Replace spring.
	Distorted dog.	Replace dog.
	Bent or damaged frame.	Replace frame.
Puller will not unload.	Driving dog not in correct position.	Move selector lever to down or unload.
	Driving dog spring damaged.	Replace driving dog spring.
	Holding dog spring damaged.	Replace holding dog spring.
Puller will not pull.	Driving dog not in correct position.	Move selector lever to haul in or pull position.
	Driving dog spring damaged.	Replace driving dog spring.
	Holding dog spring damaged.	Replace holding dog spring.

## PARTS ORDERING INFORMATION

The use of replacement parts other than **Ingersoll-Rand** may invalidate the Company's warranty. For prompt service and genuine **Ingersoll-Rand** parts, provide your nearest Distributor with the following:

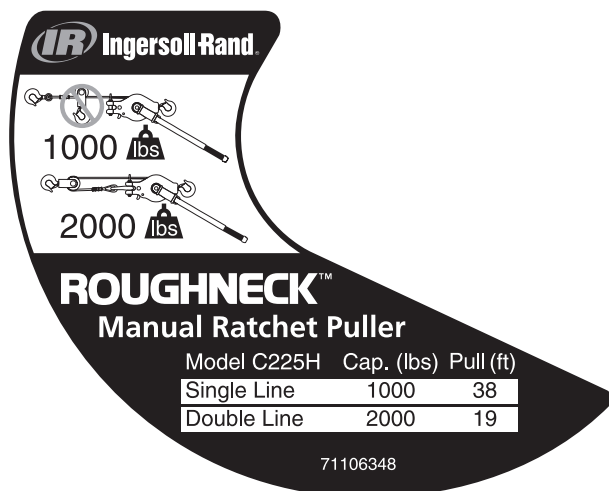
1. Complete model number as it appears on the capacity label: C225H, C300H, C400H or C400S, plus capacity.
2. Part number and part description as shown in manual.
3. Quantity required.

For your convenience and future reference it is recommended that the following information be recorded.

**Puller Model Number** \_\_\_\_\_

**Date Purchased** \_\_\_\_\_

The model and capacity label is located on the puller frame. Sample label is shown smaller than actual size.



### Return Goods Policy

**Ingersoll-Rand** will not accept any returned goods for warranty or service work unless prior arrangements have been made and written authorization has been provided from the location where the goods were purchased.

Pullers returned with opened, bent or twisted hooks, or without wire rope/strap and hooks, will not be repaired or replaced under warranty.

### NOTICE

• **Continuing improvement and advancement of design may cause changes to this puller which are not included in this manual. Manuals are periodically revised to incorporate changes. Always check the manual edition number on the front cover for the latest issue.**

### Disposal

When the life of the puller has expired, it is recommended that the puller be disassembled, degreased and parts separated as to materials so that they may be recycled.

For additional information contact:  
**Ingersoll-Rand Technical Support**  
 P.O. Box 618  
 510 Hester Drive  
 White House, TN 37188  
 Phone: (615) 672-0321  
 Fax: (615) 672-0801

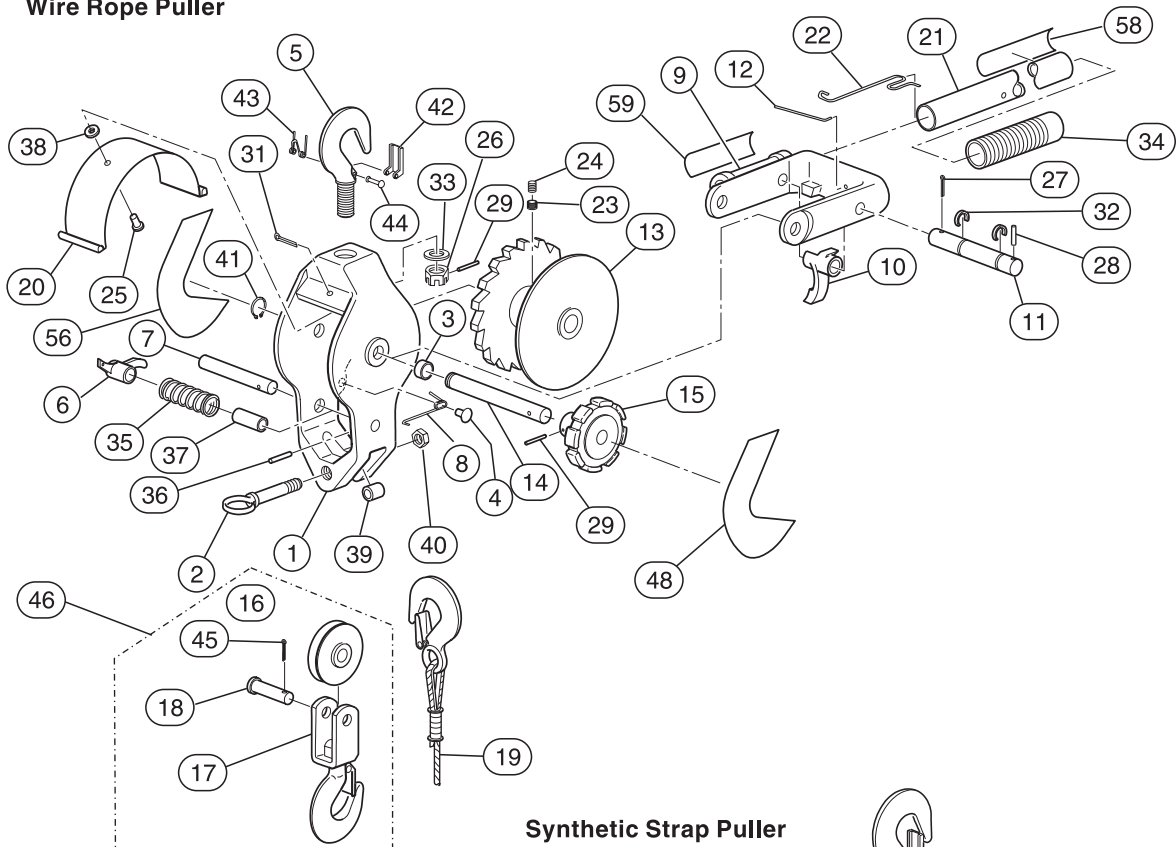
or

**Ingersoll-Rand International Sales  
 Douai Operations**  
 111, avenue Roger Salengro  
 59450 Sin Le Noble, France  
 Phone: (33) 3-27-93-08-08  
 Fax: (33) 3-27-93-08-00

# C-SERIES PULLER ASSEMBLY PARTS DRAWING

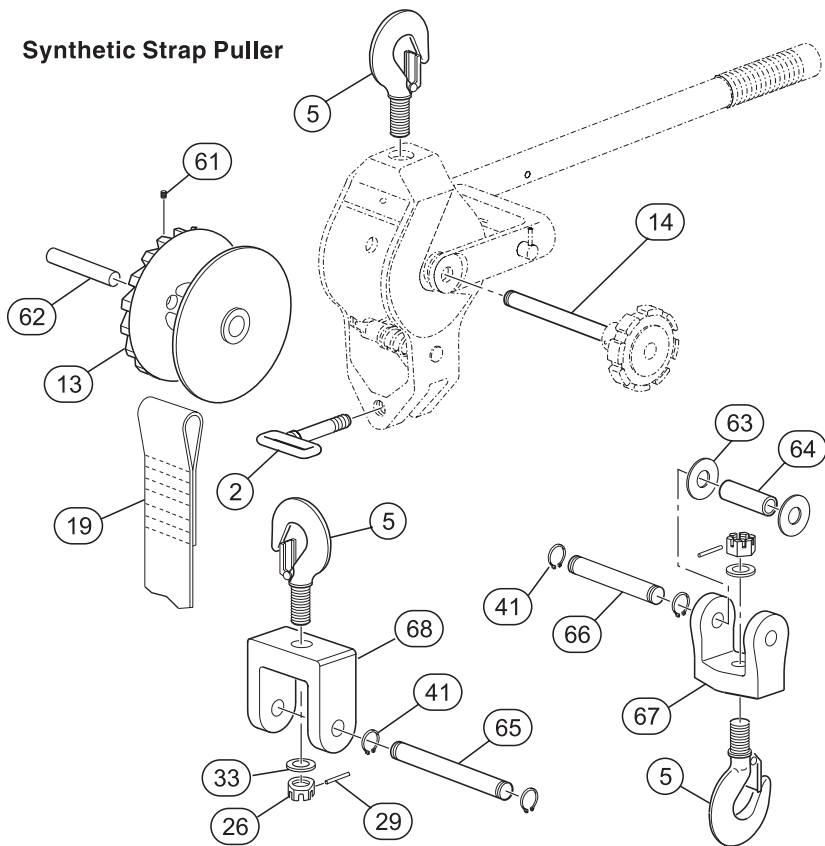
ENGLISH

## Wire Rope Puller



(Dwg. MHP0164)

## Synthetic Strap Puller



(Dwg. MHP1877)

## C-SERIES PULLER ASSEMBLY PARTS LIST

ITEM NO.	DESCRIPTION OF PART	QTY. TOTAL	PART NO.	
			Strap	Wire Rope
1	Frame	1	Order Puller Assembly	
2	Wire Rope or Strap Guide	1	71487425	4744
3	Bearing	2	115A	
4	Spring Pin	1	4288-5	
5	Hook	1	Order item 51	
6	Holding Dog	1	47	
7	Holding Dog Shaft	1	4278	
• 8	Holding Dog Spring	1	4280	
9	“U” Frame	1	Order item 47	
10	Driving Dog	1	46	
11	Driving Dog Shaft	1	30	
• 12	Driving Dog Spring	1	55	
13	Drum	1	71487433	71
14	Drum Shaft	1	71487466	29
15	Knob	1	51	
16	Pulley	1	---	Order item 46
17	Hook	1	---	
18	Shaft	1	---	
• 19	Wire Rope Assembly Model C225H	1	---	3156-1
	Wire Rope Assembly Model C300H			3156-2
	Wire Rope Assembly Model C400H			3156-3
	Synthetic Strap Model C400S		71487516	---
20	Wire Rope Shield	1	Order Shield Assembly item 52	
21	Handle Assembly (Incl's items 21, 22, 34 and 48)	1	62	
	Handle Assembly (Optional) Steel, zinc plated (Incl's Items 21, 22, 34 and 48)		62-S	
22	Handle Spring	1	56	
23	Screw	1	---	52642
24	Lock Screw	1	---	52643
25	Pin	1	Order item 52	
26	Nut	1	Order item 51	
27	Driving Dog Pin	1	8000-27	
28	Selector Lever	1	8000-28	
29	Retainer Pin	2	8000-29	
31	Cotter Pin	1	8000-31	
32	Retainer Ring	2	8000-32	
33	Thrust Washer	1	Order item 51	
34	Handle Grip	1	51845	
35	Holding Dog Spring	1	4282	
• 36	Retainer Pin	1	8000-36	
37	Holding Dog Spacer	1	4332	
38	Retainer Ring	1	52641	
39	Spacer	1	4745	
40	Nut	1	50176	
41	Retainer Ring	see ( )	8000-41 (5)	8000-41 (1)
•	Recommended Spare			

## C-SERIES PULLER ASSEMBLY PARTS LIST

E  
N  
G  
L  
I  
S  
H

ITEM NO.	DESCRIPTION OF PART	QTY. TOTAL	PART NO.	
			Strap	Wire Rope
42	Hook Latch	1	Order item 54	
43	Hook Latch Spring	1		
44	Hook Latch Rivet	1		
45	Cotter Pin	1	---	8000-45
48	Model Label C225H	1	---	71106348
	Model Label C300H			71106355
	Model Label C400H			71106330
	Model Label C400S		71487276	---
56	Warning Label	1	71106371	
58	Warning Label	1	71106363	
59	Handle Label	1	71106389	
60	Lubricant (optional)	As Req'd.	LUBRI-LINK-GREEN®	
61	Strap Anchor Pin Setscrew	1	71487458	---
62	Strap Anchor Pin	1	71487441	
63	Washer	2	71487508	
64	Pulley Hook Roller	1	71487490	
65	Bottom Hook Shaft	1	71487532	
66	Pulley Hook Shaft	2	71487482	
67	Pulley Hook Frame	1	71487474	
68	Bottom Hook Frame	1	71487524	

### Assemblies

ITEM NO.	DESCRIPTION OF PART	PART NO.	
		Strap	Wire Rope
• 46	Pulley Block Assembly (Incl's items 16 thru 18 and 45)	2911-SLH	
47	"U" Frame Assembly (Incl's items 9 thru 12, 27, 28 and 32)	294	
51	Hook Assembly (Incl's items 5, 26, 29, 33 and 42 thru 44)	58-SLH	
52	Shield Assembly (Incl's items 20, 25, 31 and 38)	4425	
• 54	Hook Latch Assembly (Incl's items 42, 43 and 44)	7328-A	
•	Recommended Spare		



## LIMITED WARRANTY

**Ingersoll-Rand Company (I-R)** warrants to the original user its Hoists and Winches (Products) to be free of defects in material and workmanship for a period of one year from the date of purchase. **I-R** will repair, without cost, any Product found to be defective, including parts and labor charges, or at its option, will replace such Products or refund the purchase price less a reasonable allowance for depreciation, in exchange for the Product. Repairs or replacements are warranted for the remainder of the original warranty period.

If any Product proves defective within its original one year warranty period, it should be returned to any Authorized **I-R** Material Handling Service Distributor, transportation prepaid with proof of purchase or warranty card.

This warranty does not apply to Products which **I-R** has determined to have been misused or abused, improperly maintained by the user, or where the malfunction or defect can be attributed to the use of non-genuine **I-R** parts.

**I-R makes no other warranty, and all implied warranties including any warranty of merchantability or fitness for a particular purpose are limited to the duration of the expressed warranty period as set forth above. I-R's maximum liability is limited to the purchase price of the Product and in no event shall I-R be liable for any consequential, indirect, incidental, or special damages of any nature rising from the sale or use of the Product, whether based on contract, tort, or otherwise.**

**Note:** Some states do not allow limitations on incidental or consequential damages or how long an implied warranty lasts so that the above limitations may not apply to you.

This warranty gives you specific legal rights and you may also have other rights which may vary from state to state.

## IMPORTANT NOTICE

It is our policy to promote safe delivery of all orders.

This shipment has been thoroughly checked, packed and inspected before leaving our plant and receipt for it in good condition has been received from the carrier. Any loss or damage which occurs to this shipment while en route is not due to any action or conduct of the manufacturer.

### Visible Loss or Damage

If any of the goods called for on the bill of lading or express receipt are damaged or the quantity is short, do not accept them until the freight or express agent makes an appropriate notation on your freight bill or express receipt.

### Concealed Loss or Damage

When a shipment has been delivered to you in apparent good condition, but upon opening the crate or container, loss or damage has taken place while in transit, notify the carrier's agent immediately.

### Damage Claims

You must file claims for damage with the carrier. It is the transportation company's responsibility to reimburse you for repair or replacement of goods damaged in shipment. Claims for loss or damage in shipment must not be deducted from the **Ingersoll-Rand** invoice, nor should payment of **Ingersoll-Rand** invoice be withheld awaiting adjustment of such claims as the carrier guarantees safe delivery.

You may return products damaged in shipment to us for repair, which services will be for your account and form your basis for claim against the carrier.



**LEA ESTE MANUAL ANTES DE USAR ESTOS PRODUCTOS.** Este manual contiene información importante de seguridad, instalación, operación y mantenimiento. Ponga este manual a disposición de todas las personas que sean responsables por la operación, la instalación y el mantenimiento de estos productos.

## **⚠ ADVERTENCIA**

**No use este elevador-tensor para levantar, soportar o transportar personas o para levantar o soportar cargas sobre persona alguna.**

**Siempre opere, inspeccione y mantenga este elevador-tensor de acuerdo con las normas ASME B30.21 y demás reglas y disposiciones de seguridad correspondientes.**

## **INFORMACIÓN DE SEGURIDAD**

Este manual ofrece información importante para todo el personal involucrado en la instalación segura y en la operación y el mantenimiento correctos de este producto. Incluso en el caso de que usted considere que conoce bien este equipo, u otro semejante, debe leer este manual antes de operar este producto.

### **Peligro, Advertencia, Cuidado e Importante**

A través de este manual se exponen pasos y procedimientos lo cuales, si no se siguen, pueden provocar un peligro como resultado. Las siguientes señales y palabras se usan para identificar el nivel de peligro potencial.

#### **⚠ PELIGRO**

La palabra "Peligro" se usa para indicar la presencia de un riesgo que *causará* lesiones *graves*, la muerte o daños materiales importantes si no se toma en cuenta.

#### **⚠ ADVERTENCIA**

La palabra "Advertencia" se usa para indicar la presencia de un riesgo que *puede* causar lesiones *graves*, la muerte o daños materiales importantes si no se toma en cuenta.

#### **⚠ CUIDADO**

La palabra "Cuidado" se usa para indicar la presencia de un riesgo que *causará* o *podría* causar lesiones o daños materiales *leves* si no se toma en cuenta la advertencia.

#### **AVISO**

La palabra "Importante" se usa para comunicar información de instalación, operación o mantenimiento, la cual es importante pero no está relacionada con ningún riesgo.

### **Resumen de Seguridad**

#### **⚠ ADVERTENCIA**

• Los elevadores-tensores están diseñados para proporcionar un factor de seguridad de 4 a 1 y se han probado en la fábrica al 125% de la carga nominal. Las estructuras de apoyo y los dispositivos para agregar carga que se usan junto con estos elevadores-tensores deben proporcionar un apoyo adecuado para soportar todas las operaciones del elevador-tensor además del peso del elevador-tensor y del equipo agregado. Esto es responsabilidad del cliente. En caso de duda, consulte a un ingeniero en estructuras profesional.

Los elevadores-tensores **Ingersoll-Rand** están hechos de acuerdo con las normas ASME B30.21 más recientes.

En la octava edición del Manual de Prevención de Accidentes para Operaciones Industriales del Consejo Nacional de Seguridad (EE.UU.), y en otras fuentes de seguridad reconocidas, se establece un punto común: se debe instruir a los empleados que trabajan cerca de las grúas o que ayudan a enganchar o arreglar la carga a que se mantengan alejados del área debajo de la carga. Desde el punto de vista de la seguridad, hay un factor de suma importancia: se debe llevar a cabo toda operación de elevación o de tiro de manera que si ocurriera una falla en el equipo, ninguna persona resultaría lesionada. Esto significa mantenerse alejado del área debajo de toda carga elevada y de la línea de fuerza de toda carga.

La Ley de Seguridad y Salud Laboral (OSHA) de 1970 generalmente coloca la responsabilidad por el cumplimiento de las normas en el usuario, no en el fabricante. Muchos requisitos OSHA no se refieren al producto fabricado sino, más bien, a la instalación definitiva. Es responsabilidad del propietario y del usuario determinar la adecuación de un producto a un uso en particular. Se recomienda que se revisen todas las regulaciones federales, estatales y locales, así como aquellas de la industria y de las asociaciones comerciales. Lea todas las instrucciones y advertencias operativas antes de su operación.

**Montaje:** Es responsabilidad del operador ejercer precaución, usar el sentido común y familiarizarse con las debidas técnicas de montaje. Refiérase a las normas ASME B30.9 para obtener información con respecto al montaje, American National Standards Institute, 1430 Broadway, New York, NY 10018.

## INFORMACIÓN PARA UNA OPERACIÓN SEGURA

Las siguientes advertencias e instrucciones de operación se han adaptado en parte de las normas American National Standard ASME B30.21 y tienen el propósito de evitar las prácticas de operación insegura, las cuales podrían conducir a lesiones o daños materiales.

Se proporcionan instrucciones para una operación segura con el fin de enterar al operador de prácticas peligrosas que debe evitar y no se limitan necesariamente a la lista siguiente. Refiérase a secciones específicas del manual para obtener información adicional de seguridad.

1. Sólo debe operar el elevador-tensor el personal capacitado en seguridad y operación.
2. Una persona debe operar el elevador-tensor sólo si está físicamente apta para hacerlo.
3. Si hay en el elevador-tensor un anuncio de “NO OPERAR”, no use el elevador-tensor hasta que el personal designado haya quitado el anuncio.
4. Antes de usarlo, el operador debe inspeccionar el elevador-tensor para determinar si está desgastado o dañado.
5. Nunca opere un elevador-tensor si la inspección indica que está desgastado o dañado.
6. No utilice el elevador-tensor si el pestillo del gancho está vencido o roto.
7. Antes de usar el elevador-tensor, compruebe que los pestillos de los ganchos estén asegurados.
8. Sólo tire de cargas iguales a la capacidad nominal del elevador-tensor o menores que ella. Refiérase a los rótulos de capacidad adheridos al elevador-tensor.
9. Cuando use dos elevadores-tensores en una carga, seleccione los elevadores-tensores de manera que cada uno tenga una capacidad nominal igual o mayor que la carga. Esto proporciona adecuada seguridad en caso de un desplazamiento repentino de la carga.
10. Nunca use el cable metálico ni la correa del elevador-tensor como eslinga.
11. Coloque la carga correctamente. No coloque la carga en ganchos cuando la línea de carga no esté en línea recta. No “tire lateralmente” de la carga.
12. Nunca opere el elevador-tensor con un cable metálico torcido, retorcido o dañado, ni con una soga sintética deshilachada o cortada.
13. No coloque un gancho en su lugar a la fuerza golpeándolo con un martillo.
14. Cerciórese de que la carga esté debidamente asentada en el lomo del gancho y el pestillo del gancho esté acoplado.
15. No deje que la punta del gancho soporte todo el peso de la carga.
16. Nunca pase el cable metálico o la correa sobre un borde afilado. Use una roldana.
17. Preste atención a la carga en todo momento cuando opere el elevador-tensor.
18. Siempre cerciórese que usted, y los demás, estén fuera de la trayectoria de la carga. No levante una carga encima de persona alguna.
19. Nunca use el elevador-tensor para levantar o bajar personas, y nunca permita que nadie se coloque encima de una carga en movimiento o suspendida.
20. Quite con cuidado la holgura del cable metálico o de la correa cuando comience a tirar. No sacuda la carga.
21. No haga oscilar una carga suspendida.
22. Nunca suelde ni corte una carga suspendida por un elevador-tensor.
23. Nunca use el cable metálico del elevador-tensor como electrodo de soldadura.
24. No opere el elevador-tensor si está atascado, sobrecargado o trabado.
25. No use una barra alargadora ni una manivela extendida.
26. Siempre use guantes cuando maneje cables metálicos.
27. Cuando aplique tensión a cargas pesadas tome en cuenta el alargamiento en la correa.

## RÓTULO DE ADVERTENCIA

Cada elevador-tensor viene de la fábrica con el rótulo de advertencia que se muestra. El rótulo autoadhesivo debe estar claramente visible en el elevador-tensor en todo momento. Si el rótulo no está adherido a su elevador-tensor, pida un rótulo nuevo e instálelo.

Refiérase a la lista de piezas para obtener el número de pieza. Lea y obedezca todas las advertencias y demás información de advertencia que se adjunta a este elevador-tensor. Es posible que el rótulo de advertencia no sea del tamaño verdadero.



# ESPECIFICACIONES

Tabla 1

Modelo No.		Capacidad nominal*		Distancia de tiro		Diámetro máx. del cable metálico		Distancia mínima entre ganchos		Peso neto	
		lb	kg	pies	metros	plug.	mm	plug.	cm	lb	kg
C225H	Línea sencilla	1000	450	38	11.6	0.187	5	17	43	14	6.4
	Línea doble	2000	900	19	5.8			22	56		
C300H	Línea sencilla	1400	635	30	9.1	0.218	6	17	43	15	6.8
	Línea doble	2800	1270	15	4.6			22	56		
C400H	Línea sencilla	1700	770	20	6.1	0.250	6	17	43	16	7.3
	Línea doble	3400	1540	10	3			22	56		
						<b>Tamaño de la correa</b>					
C400S	Correa sencilla	2000	900	12	3.7	1-7/8 x 3/32	47.8 x 2.4	17	43	10.8	4.9
	Correa doble	4000	1800	6	1.8			22	56	17.4	7.9

\* Basado en la primera capa del tambor. La capacidad nominal disminuye al llenarse el tambor con cable o correa sintética.

## OPERACIÓN

El elevador-tensor no debe utilizarse para elevar ni bajar. Úsese solamente en aplicaciones de tracción.

### Métodos de carga del elevador-tensor

El elevador-tensor de trinquete **Serie C** puede usarse en cualquier posición siempre y cuando esté aparejado para tirar en línea recta del gancho superior al gancho inferior.

Cuando se opere en áreas limitadas es preciso que se utilicen accesorios de levantamiento y eslingas adecuados para impedir que se obstruyan la manija y el cuerpo del elevador-tensor.

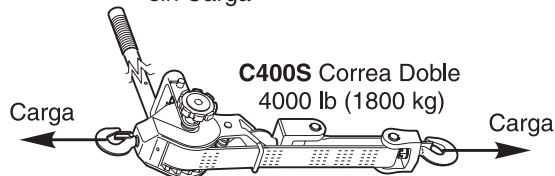
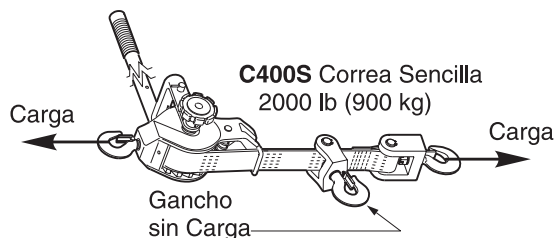
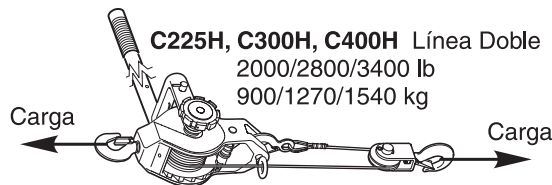
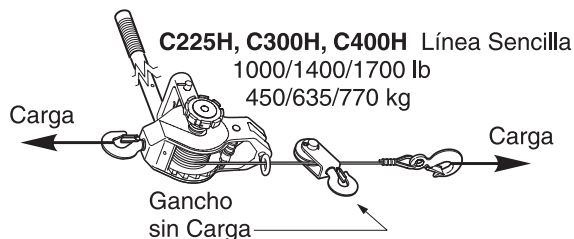
### ⚠ ADVERTENCIA

- Siempre mantenga tres o más vueltas de cable metálico o dos o más vueltas de correa en el tambor.
- No use una barra alargadora ni una manivela extendida.

Para doblar la capacidad del elevador-tensor cuando esté aparejado con una línea sencilla, conecte el cable metálico o la correa y el conjunto del gancho (19) al espaciador (39) y sujete el conjunto de la polea (46) a la carga. (Refiérase al Dibujo MHP1881E en la página E-3)

### Instalación y remoción de la manivela

1. La manivela (21) puede instalarse en cualquiera de los dos extremos del bastidor en forma de "U" (9).
2. Inserte el ojal del resorte (22) del extremo de la manivela (21) en el bastidor en forma de "U" (9) y presiónelo en la manivela. Alinee la proyección de resorte (22) con el pequeño recorte del bastidor en forma de "U" (9) y presione hasta que la manivela (21) se trabe en su lugar.
3. Para quitar la manivela (21), presione el ojal del resorte (22) hasta que libre el bastidor en forma de "U" (9). Tire de la manivela para sacarla (21).

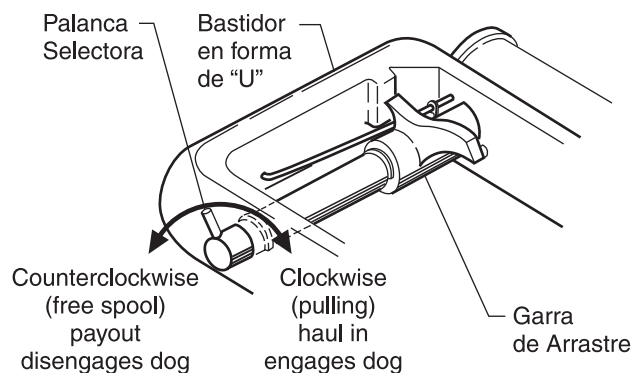


(Dibujo MHP1881E)

### Colocación del gancho sin carga (enrollado libre)

1. Antes de colocar el gancho, asegúrese de que el elevador-tensor esté sin carga.

2. Para desacoplar la garra de arrastre (10) de los dientes del tambor (13), colóquese frente a la perilla (15) y gire la palanca selectora (28) en sentido contrario al de las manecillas del reloj a la posición de desenrollar.



(Dibujo MHP0850E)

**AVISO**

- La palanca selectora (28) se encuentra en el bastidor en forma de “U” (9), cerca del tambor (13).
3. Desenganche la garra de retención (6) de los dientes del tambor oprimiendo la palanca de la garra de retención hacia el tambor.
  4. Tire del conjunto de cable metálico o de correa (19) y muévalo hacia la posición deseada
  5. Suelte la palanca de la garra de retención.
  6. Recoja la holgura del cable metálico o la correa girando la perilla (15) en el sentido de las manecillas del reloj.

**Para levantar o tirar de la carga**

1. Para acoplar la garra de arrastre (10) con los dientes del tambor (13), colóquese frente a la perilla (15) y gire la palanca selectora (28) en el sentido de las manecillas del reloj a la posición de enrollar.
2. Mueva la manivela hacia atrás y hacia adelante. El mover la manivela hacia la garra de retención (6) mueve el tambor.

**Para soltar la carga**

1. Para desacoplar la garra de arrastre (10) de los dientes del tambor (13), colóquese frente a la perilla (15) y gire la palanca selectora (28) en sentido contrario al de las manecillas del reloj a la posición de desenrollar.
2. Mueva la manivela hacia la garra de retención (6) hasta que la garra de arrastre (10) se desacople de la garra de retención (6), permitiendo que la carga se suelte un diente del tambor a la vez. Repita el movimiento corto hasta que la carga esté en la posición deseada.

**AVISO**

- La garra de retención está enganchada cuando se esté desenrollando o enrollando el cable metálico o la correa con carga.

**Enrollamiento del cable metálico o de la correa**

- Cuando el elevador-tensor esté sin carga, use la perilla (15) para enrollar el cable metálico o la correa otra vez en el tambor.
1. Para desacoplar la garra de arrastre (10) de los dientes del tambor (13), colóquese frente a la perilla (15) y gire la palanca selectora (28) en sentido contrario al de las manecillas del reloj a la posición de desenrollar.
  2. Gire la perilla (15) en el sentido de las manecillas del reloj para enrollar el cable metálico o la correa.

**AVISO**

- Cuando se enrolle el cable metálico o la correa, aplique tensión para evitar holgura. Esto ayudará a lograr un enrollamiento uniforme y firme del cable metálico o de la correa en el tambor.

**Almacenaje del elevador-tensor**

1. Siempre guarde el elevador-tensor sin carga.
2. Limpie toda la suciedad y el agua.
3. Lubrique el cable metálico y en los pasadores del gancho y del pestillo del gancho.
4. En los elevadores-tensores de correa, limpie y seque el material de la correa.
5. Almacénelo en un lugar seco.

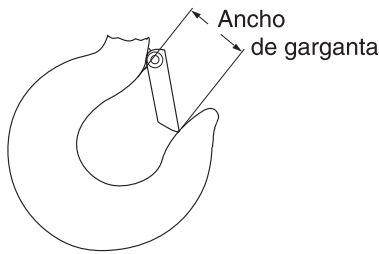
**INSPECCIÓN**

Hay dos tipos de inspección, la inspección frecuente que lleva a cabo un operador y las inspecciones más minuciosas que realiza el personal capacitado en la operación y la reparación de este elevador-tensor. La inspección cuidadosa realizada con regularidad revelará las condiciones potencialmente peligrosas durante la etapa inicial, permitiendo que se adopten acciones correctivas antes de que la condición se vuelva peligrosa. Todas las deficiencias reveladas mediante la inspección se deben corregir antes de reanudar la operación del elevador-tensor. Se debe determinar si la deficiencia constituye un riesgo de seguridad.

**Inspección Frecuente**

El elevador-tensor de trinquete debe ser inspeccionado antes de cada uso. Deben llevarse a cabo inspecciones visuales durante la operación regular para ver si hay daño alguno o evidencia de desperfectos.

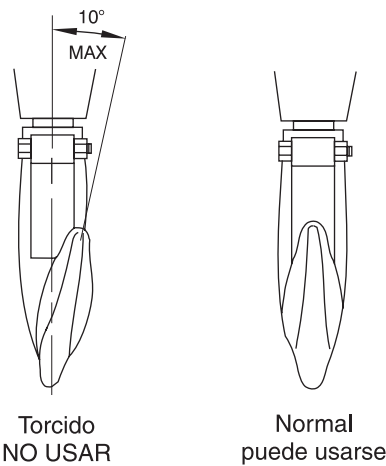
1. OPERACIÓN. Revise para ver si hay señales visuales o ruidos fuera de lo normal que pudieran indicar un problema potencial. Asegúrese de que el mecanismo de la manivela, la garra de arrastre y la garra de retención funcionen debidamente. Haga reparaciones o cambios si están dañados.
2. GANCHOS. Inspeccione para ver si hay desgaste o daños, aumento en el ancho de garganta, el vástago está doblado o hay una dobladura en el gancho. Reemplace los ganchos que exceden la anchura de descarte especificada en la Tabla 2 (refiérase al Dibujo MHP0040E en la página E-5) o excedan un torcimiento de 10° (refiérase al Dibujo MHP0111E en la página E-5). Si al encajar el pestillo del gancho éste pasa de la punta del gancho, el gancho está vencido y debe cambiarse.



(Dibujo MHP0040E)

Tabla 2

Gancho (todos los modelos)	Ancho de garganta		Ancho de descarte	
	pulg.	mm	pulg.	mm
Giratorio superior	0.98	24.9	1.13	28.7
Horquilla				
De ojal (en el cable)	0.96	24.4	1.1	27.9



(Dibujo MHP0111E)

3. **PESTILLOS DE LOS GANCHOS.** Revise el funcionamiento del pestillo del gancho. Cámbielo si está roto o instálelo si no está presente.
4. **CABLE METÁLICO.** Lubríquelo si es necesario. Cámbielo si está dañado o excesivamente desgastado. Consulte la información de inspección del fabricante del cable metálico o de una fuente de seguridad de reconocido prestigio, tal como la más reciente edición del Manual de Prevención de Accidentes para Operaciones Industriales del Consejo Nacional de Seguridad (EE.UU.), o las normas ASME B30.21. La siguiente lista es una guía para el usuario acerca de las normas aceptadas en función de las cuales se debe juzgar el cable metálico, y las cuales no se presentan con la intención de substituir a un inspector experimentado.
  - a. Daños tales como el abombamiento del cable, los retorcimientos, las protuberancias del alma, el aplastamiento, los daños térmicos y el desplazamiento del cabo principal.
  - b. Corrosión y melladuras.
  - c. Desgaste de los alambres en los extremos del diámetro exterior. Reemplácelo si el desgaste es de 1/3 del diámetro original de un alambre en el extremo del diámetro exterior.
  - d. Alambres o cabos rotos, en especial en las conexiones. Es necesario reemplazarlo si hay un alambre roto en una conexión; doce alambres rotos en un paso; o cuatro alambres rotos en un cabo en un paso.

5. **CORREA SINTÉTICA.** La correa debe estar limpia y seca. Quite todo lubricante o suciedad. Reemplace la correa si está deshilachada o cortada.
6. **LABOREO DEL CABLE METÁLICO O DE LA CORREA.** Revise el laboreo y asegúrese de que el cable metálico o la correa estén debidamente asegurados en el tambor. Consulte "Instalación de un cable metálico nuevo" o "Instalación de una correa sintética" en la sección "MANTENIMIENTO".
7. **MANIVELA.** Revise para ver si hay fisuras, dobladuras u otros daños. Reemplácela si es necesario.

### Inspección Periódica

Según las normas ASME B30.21, la frecuencia de la inspección periódica depende de la exigencia del uso:

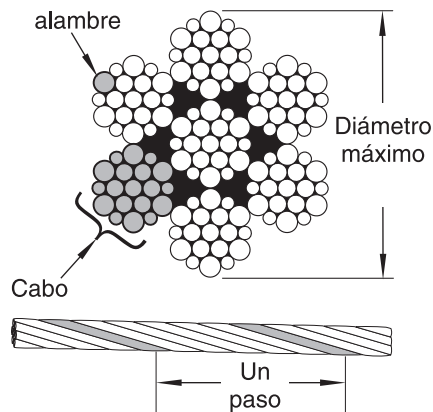
NORMAL	PESADO	EXIGENTE
anual	semestral	trimestral

Es posible que sea necesario desarmar la unidad para los usos PESADO o EXIGENTE. Mantenga un registro acumulativo de las inspecciones periódicas para proporcionar una base de evaluación continua. Inspeccione todos los elementos que se indican en la sección "Inspección frecuente". Inspeccione también lo siguiente:

1. **ELEMENTOS DE SUJECIÓN.** Revise los remaches, los tornillos de cabeza, las tuercas, los pasadores y los otros elementos de sujeción en los ganchos y en el bastidor del elevador-tensor. Instálelos si faltan y apriételes o afícelos si están flojos.
2. **TODOS LOS COMPONENTES.** Inspeccione para ver si hay desgaste, daños o deformación y para ver si están limpios. Desarme la unidad si la apariencia exterior así lo indica. Revise los bastidores, los ejes, el tambor, las roldanas, las guías, los resortes y las tapas. Reemplace las piezas desgastadas o dañadas. Limpie, lubrique y vuelva a armar la unidad.
3. **GANCHOS.** Inspeccione los ganchos para ver si hay fisuras. Use un penetrante colorante o de partículas magnéticas para revisar si hay fisuras. Inspeccione las piezas de retención del gancho. Apriételes, repárelas o cámbielas si es necesario. Refiérase a la más reciente edición de las normas ASME B30.10 (Ganchos) para obtener información adicional acerca de la inspección de los ganchos.
4. **TAMBOR Y ROLDANAS.** Revise para ver si hay desgaste o daño excesivo. Reemplácelos si es necesario.
5. **MECANISMOS DE LAS GARRAS.** Revise que las garras se acoplen con los dientes del tambor. Revise la uña de la garra de retención, la uña de la garra de arrastre y los dientes del tambor para ver si hay fisuras, desgaste o daño. Revise los resortes para ver si hay distorsión o daño. Repare o reemplace las piezas según sea necesario.
6. **RÓTULOS.** Revise que estén presentes y sean legibles. Reemplácelos si es necesario.
7. **CABLE METÁLICO.** Además de los elementos indicados en una inspección frecuente, inspeccione lo siguiente:
  - a. Acumulación de suciedad y corrosión. Limpie si es necesario.
  - b. Conexiones flojas o dañadas en los extremos. Reemplácelas si están flojas o dañadas.
  - c. Revise que el anclaje del cable metálico esté firme.
  - d. Cambios en el tamaño del diámetro del cable metálico. Mida periódicamente el diámetro máximo del cable metálico durante su vida útil. El diámetro real debe registrarse cuando el cable metálico esté bajo cargas equivalentes y en la misma sección de operación. Si el diámetro real del cable metálico se ha reducido más de 1/64 de pulg. (0.4 mm), un inspector experimentado



debe llevar a cabo un examen minucioso del cable metálico para determinar si el cable es adecuado para permanecer en servicio. Refiérase al Dibujo MHP0056E en la página E-6.



(Dibujo MHP0056E)

8. CORREA SINTÉTICA. Inspeccione la superficie del material. Reemplácela si está rota, cortada, deshilachada o desgastada.

## LUBRICACIÓN

### Puntos de pivote y cojinetes

Según la exigencia del servicio, lubrique los pasadores del pestillo del gancho, los pasadores del gancho, los puntos de pivote de las garras de arrastre y de retención, y los cojinetes del tambor y las roldanas con aceite **Ingersoll-Rand LUBRI-LINK-GREEN®** o SAE 30W. Si el elevador-tensor está desarmado, lubrique los puntos de pivote y los cojinetes con grasa.

### Cable metálico

1. Limpie con un cepillo o con vapor si hay suciedad, polvo de roca u otras materias extrañas en la superficie del cable metálico.

### ⚠ CUIDADO

- No use solventes ni otros líquidos de limpieza con base de ácido.
2. Aplique aceite **Ingersoll-Rand LUBRI-LINK-GREEN** o SAE 30W.
  3. Aplique el lubricante con cepillo, por goteo o rociándolo cada semana o más a menudo, dependiendo de la exigencia del servicio.

### Correa Sintética

1. La correa sintética no debe lubricarse. Mantenga la correa limpia y seca.

## MANTENIMIENTO

### ⚠ ADVERTENCIA

- Nunca dé servicio al elevador-tensor cuando haya una carga en el cable metálico o en la correa.
- Antes de darle servicio, coloque un rótulo en la manivela que diga lo siguiente:

**ADVERTENCIA: NO LO OPERE  
EL EQUIPO SE ESTÁ REPARANDO**

- Sólo permita que dé servicio a este producto el personal que está capacitado para operarlo y darle servicio.
- Pruébelo al 125 % de su capacidad nominal antes de volver a ponerlo en servicio.

### Remoción del cable metálico

1. Libere el cable metálico enrollado del tambor. Refiérase a “Colocación del gancho sin carga (enrollado libre)” en la sección “OPERACIÓN”.
2. Quite la chaveta del protector (31), el anillo de retén (38), el pasador de retén (25) y el protector (20).

### ⚠ CUIDADO

- No afloje el tornillo de retén del tambor (23) ubicado debajo del tornillo de seguridad del cable metálico (24).
3. Afloje el tornillo de seguridad (24) y retire el conjunto del cable metálico (19).
  4. Empuje el cable metálico a través del agujero 1 hasta que se forme un pequeño rizo entre los agujeros 2 y 3.
  5. Afloje el tornillo de seguridad (24) y tire del extremo del cable metálico hasta liberarlo del tambor. Tire del cable a través de los agujeros 2 y 1 y deséchelo.

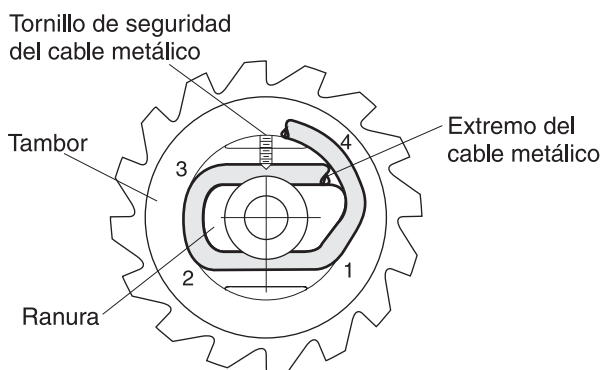
### Remoción de la correa sintética

1. Libere la correa enrollada del tambor. Refiérase a “Colocación del gancho sin carga (enrollado libre)” en la sección “OPERACIÓN”.
2. Saque el tambor del bastidor. Refiérase a “Retiro del tambor” en la sección “MANTENIMIENTO”.

3. Quite el tornillo de fijación (61) y saque el eje de la correa (62) empujándolo. Saque y deseche la correa.

### Instalación del cable metálico

1. Corte el cable metálico a la longitud adecuada y funda la punta para evitar que se deshilachen los cabos de acuerdo con las instrucciones del fabricante.
2. Inserte el extremo del cable metálico a través del perno de anilla (2).
3. Introduzca el extremo del cable metálico por el Agujero 1 del tambor (13), sáquelo por el Agujero 2, páselo a lo largo de la ranura del tambor e introdúzcalo de regreso por el Agujero 3. Refiérase al Dibujo MHP0081E en la página E-7.
4. Coloque el extremo del cable metálico justo debajo de la superficie del tambor cerca del Agujero 4. Afíncelo apretando el tornillo de seguridad (24).
5. Tire del extremo del cable metálico que corresponde al gancho hasta que el cable se asiente en la ranura del tambor.



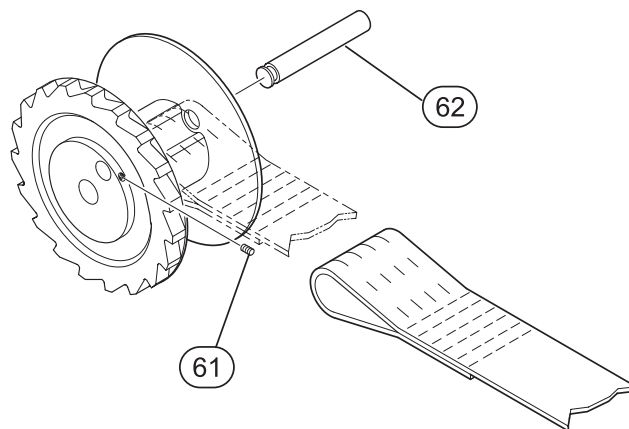
(Dibujo MHP0081E)

6. Instale el protector (20) y afíncelo con el pasador de retén (25), el anillo de retén (38) y la chaveta (31).
7. Mientras mantiene el cable metálico bajo tensión, enrolle el cable en el tambor.

### Instalación de la correa sintética

Refiérase al Dibujo MHP1880E en la página E-7.

1. Refiérase a “Remoción de la correa sintética” en la sección “MANTENIMIENTO”.
2. Quite el tornillo de fijación (61) y el pasador (62).
3. Inserte la nueva correa. Reemplace el pasador y el tornillo de fijación.
4. Instale el tambor. Refiérase a “Reemplazo del tambor” en la sección “MANTENIMIENTO”.
5. Reemplace el protector (20) y afíncelo.

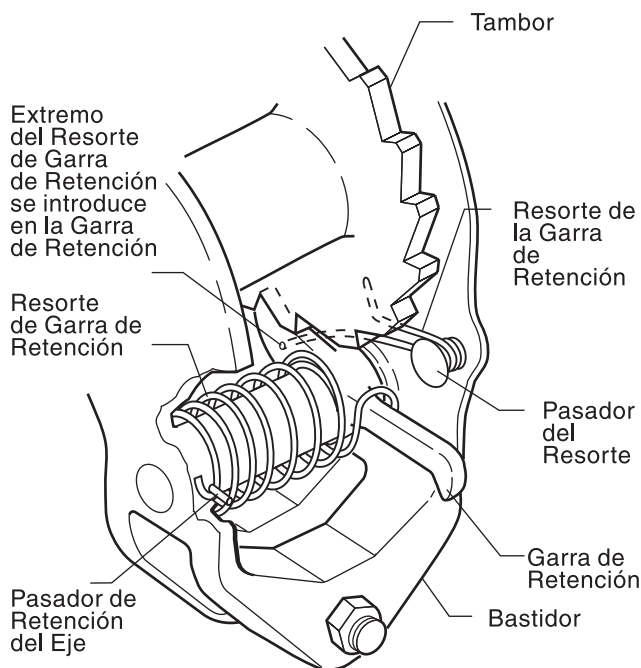


(Dibujo MHP1880E)

### Reemplazo del resorte de la garra de retención

Refiérase al Dibujo MHP0164E en la página E-11.

1. Corte la cabeza del pasador del resorte (4) y quite el pasador del bastidor (1).
2. Saque el pasador de retén (36) con un punzón para pasadores de 1/8 de pulg. (3 mm) de diámetro.
3. Golpee con suavidad o empuje el eje de la garra de retención (7) a través del bastidor por el lado de la palanca justo lo suficiente para no interferir con la garra de retención (6).
4. Quite la garra de retención (6).
5. Quite de la garra de retención (6) el resorte viejo (8) y reemplácelo con uno nuevo.
6. Coloque la garra de retención (6) de manera que se acople con los dientes del tambor (13) e impida la rotación del tambor. Cerciórese de que el resorte (8) pueda girarse hasta colocarlo en su posición.
7. Golpee con suavidad el eje (7) de la garra de retención (6) a través de ésta para meterlo en el bastidor (1). Alinee los agujeros del pasador de retén (36) en el bastidor (1) y la garra de retención (6).
8. Instale el pasador de retén (36). Para proporcionar al resorte (36) de la garra de retención un lugar donde fijarse, deje una parte del pasador de retén (36) sobresaliendo del bastidor (1) en el mismo lado del elevador-tensor en el que está la palanca de la garra de retención.
9. Instale el resorte (35) colocando el extremo pequeño del “gancho” por encima del pasador de retén (36) y el otro extremo por encima de la garra de retención (6). El resorte (35) debe mantener a la garra de retención acoplada a los dientes del tambor.
10. Coloque el ojal del resorte (8) de la garra de retención sobre el agujero del pasador del resorte en el bastidor (1).
11. Instale un nuevo pasador de resorte (4) con la cabeza grande en el interior del bastidor (1). Apoye la cabeza grande y afiance el pasador (4) aplastando el extremo pequeño.



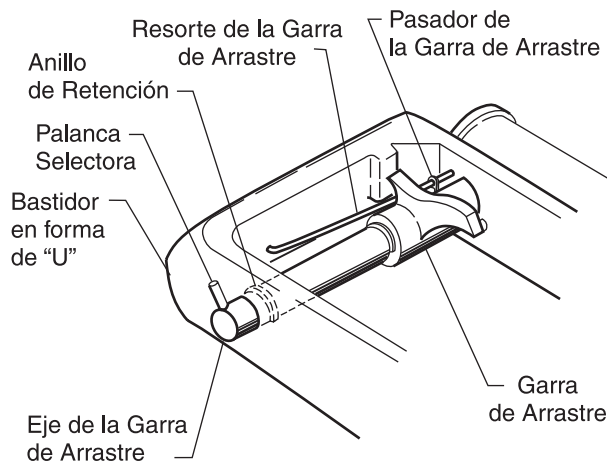
(Dibujos MHP0481E)

### Reemplazo del resorte de la garra de arrastre

**⚠ CUIDADO**

• El resorte (12) de la garra de arrastre está bajo tensión. Actúe con precaución cuando lo quite para evitar lesiones.

1. Para quitar el resorte de la garra de arrastre (12), inserte la hoja de un destornillador entre el resorte (12) y el bastidor en forma de "U" (9) y aplique palanca.



(Dibujos MHP0144E)

Para instalar un resorte nuevo, emplee el siguiente procedimiento:

1. Quite el anillo de retén (32) el cual está al ras con la garra de arrastre (10).
2. Deslice la garra de arrastre (10) hacia el centro del tambor (13).
3. Estando frente a la perilla (15), gire la palanca selectora (28) en el sentido de las manecillas del reloj de manera que el extremo del resorte (12) pueda insertarse en el pasador (27) de la garra de arrastre.
4. Inserte el extremo del resorte (12) en el pasador (27).

5. Al mismo tiempo que tira de la palanca selectora (28), gire ésta en el sentido contrario de las manecillas del reloj 90 grados.
6. Deslice la garra de arrastre (10) de regreso a su posición. Debe acoplarse con los dientes del tambor. Si no le es posible colocar la garra (10) en su posición, intente girar el bastidor en forma de "U" para crear lugar.
7. Instale el anillo de retén (32) en el eje (11) de la garra de arrastre.

### Remoción del bastidor en forma de "U" o del tambor

1. Quite la manivela (21) si está puesta.
2. Quite el cable metálico del tambor. Refiérase a "Remoción del cable metálico" en la sección "MANTENIMIENTO".
3. Para lograr acceso al tornillo (23), quite el tornillo de seguridad (24).
4. Afloje el tornillo (23). No lo quite.
5. Quite el anillo de retén (41) del eje del tambor.
6. Quite la perilla (15) y el eje del tambor (14) como una unidad, girando la perilla (15) hacia un lado y a hacia otro y tirando de ella.
7. Saque el bastidor en forma de "U" (9).
8. Quite el tambor (13).

### Reemplazo del bastidor en forma de "U" o del tambor

1. Instale el tambor (13) con los dientes del tambor acoplados a la garra de retención (6).

**AVISO**

• Si el tambor es difícil de instalar, intente instalarlo del lado opuesto del bastidor (1) y mantenga el resorte (8) para soltar la garra de retención apartado de manera que no interfiera.

2. Alinee los agujeros del bastidor en forma de "U" (9) con los agujeros del tambor (1). Oriente el bastidor en forma de "U" (9) de manera que la garra de arrastre (10) se acople con los dientes del tambor y pueda operar el resorte (8) en la garra de retención (6).
3. Observe la posición de la depresión en el eje del tambor (14) con relación a la perilla (15) o al pasador de retén (29). Alinee la depresión con el tornillo de retén del eje del tambor (23) durante la instalación del eje del tambor.

**AVISO**

• Coloque en la perilla (15) una marca que esté alineada con la depresión del eje del tambor (14) para facilitar el alineamiento.

4. Inserte la perilla (15) y el eje del tambor (14) como conjunto.
5. Instale el anillo de retén (41) para fijar la posición del eje del tambor (14).
6. Revise el alineamiento de la depresión con el tornillo (23) y vuelva a alinear si es necesario.
7. Apriete el tornillo (23). El tornillo (23) sujeta el tambor (13) al eje del tambor (14).
8. Instale el cable metálico o la correa. Refiérase a "Instalación del cable metálico" o "Instalación de la correa sintética" en la sección "MANTENIMIENTO".
9. Revise el funcionamiento de la garra de arrastre (10) moviendo la palanca selectora a las posiciones de enrollar y desenrollar.

### Remoción del gancho

1. Cambie la palanca selectora a DOWN (Abajo) y aparte el bastidor en forma de “U” (9) de manera que no interfiera, girándolo hacia el gancho en el conjunto del cable metálico (19).
2. Gire el gancho (5) de manera que se cree el mayor espacio posible en la parte trasera.
3. Quite el pasador de retén (29).
4. Quite el gancho (5) sosteniendo la tuerca ya sea con un destornillador en una de las ranuras o con una llave, y girando el gancho en sentido contrario al de las manecillas del reloj.

### Instalación del gancho

1. Alinee la tuerca (26) y la arandela de empuje (33) con el agujero en el bastidor (1) que corresponde al gancho (5).
2. Sostenga la tuerca (26) en su lugar e instale el gancho (5). Cerciórese de que el gancho (5) esté lo suficientemente flojo para girar con libertad y que el agujero en el vástago del gancho se alinee con una de las ranuras en la tuerca (26).
3. Afiance la tuerca (26) instalando el pasador de retén (29). Centre el pasador (29) en el vástago del gancho y en la tuerca (26).

### Para añadir un conjunto de polea de horquilla

Para doblar la capacidad (la velocidad de operación se reducirá a la mitad) de la polea aparejada con una línea sencilla, instale un conjunto de polea (46) y apareje el elevador-tensor con línea doble de **cable metálico**.

Para instalar un conjunto de polea, quite el cable metálico o la correa. Refiérase a “Retiro del cable metálico” en la sección “MANTENIMIENTO”. Deslice el conjunto de la polea por

encima del cable metálico o la correa y vuelva a instalar el cable metálico.

### Correa sintética

1. Quite un anillo de retén (41), presione el eje (66) para sacarlo de la polea giratoria (67). Recoja las arandelas (63) y el rodillo (64) del gancho del elevador-tensor.
2. Coloque la correa (19) en una polea giratoria.
3. Inserte el eje a través de la polea giratoria, la arandela, el rodillo del gancho de la polea y la arandela y afiáncele con el anillo de retén.

### Reemplazo del pestillo del gancho

1. Con una lima manual o neumática, retire la cabeza del pasador (44) del pestillo del gancho.
2. Impulse el pasador del pestillo del gancho hacia afuera con un punzón y retire el pestillo (42) y el resorte (43).

### Instalación de un nuevo pestillo del gancho

1. Coloque el resorte (43) en el pestillo (42) de manera que los extremos largos libres del resorte queden debajo del pestillo.
2. Sostenga comprimida la espira del resorte y coloque el resorte y el pestillo en el gancho.
3. Inserte un pasador (44) nuevo y aplaste la cabeza para asegurar el pestillo.
4. Revise que el pestillo se mueva con libertad y que el extremo del pestillo no vaya más allá de la punta del gancho.

## AVISO

- Use sólo piezas genuinas Ingersoll-Rand.

## DIAGNÓSTICO Y CORRECCIÓN DE FALLAS

Esta sección proporciona información acerca del diagnóstico y la corrección básicos de fallas. Las causas específicas de los problemas se identifican mejor mediante inspecciones que lleva a cabo el personal capacitado en la seguridad, operación y mantenimiento de este equipo. La tabla a continuación proporciona una breve guía de los síntomas comunes de los elevadores-tensores, las causas probables y los remedios.

SÍNTOMA	CAUSA	REMEDIO
El elevado-tensor no trinquetea..	Diente roto en el trinquete.	Cambie el tambor.
	Resorte roto.	Cambie el resorte.
	Garra deformada.	Cambie la garra.
	Bastidor doblado.	Cambie el bastidor.
El elevador-tensor no descarga.	La garra de arrastre no está en la posición correcta.	Mueva la palanca selectora hacia abajo o a la posición de descarga.
	El resorte de la garra de arrastre está dañado.	Cambie el resorte de la garra de arrastre.
	El resorte de la garra de retención está dañado.	Cambie el resorte de la garra de retención.
El elevador-tensor no produce tiro.	La garra de arrastre no está en la posición correcta.	La garra de arrastre no está en la posición correcta.
	El resorte de la garra de arrastre está dañado.	Cambie el resorte de la garra de arrastre.
	El resorte de la garra de retención está dañado.	Cambie el resorte de la garra de retención.

## INFORMACIÓN DE PEDIDO DE PIEZAS

El uso de piezas de repuesto diferentes a las de marca **Ingersoll-Rand** puede cancelar la garantía que ofrece la compañía. Para obtener un servicio rápido y piezas genuinas **Ingersoll-Rand**, proporcione a su distribuidor más cercano lo siguiente:

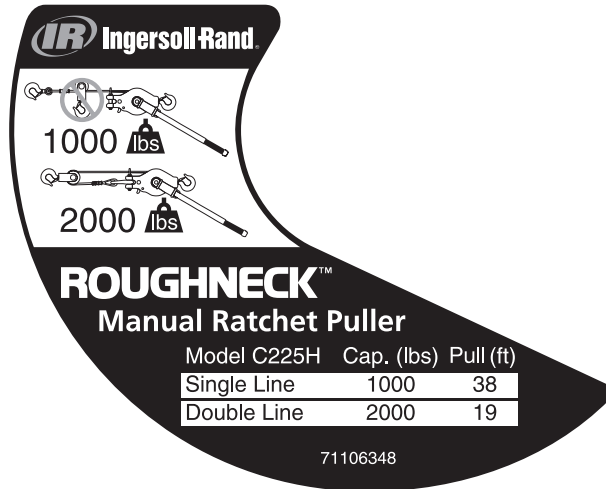
1. Número completo del modelo según aparece en el rótulo de capacidad (muestra a continuación): C225H, C300H, C400H, o C400S más la capacidad.
2. Número de pieza y descripción de la pieza según se muestra en el manual.
3. Cantidad que se requiere.

Para su comodidad y futura referencia, se recomienda que se registre la siguiente información.

Número de modelo del elevador-tensor \_\_\_\_\_

Fecha de compra \_\_\_\_\_

El rótulo de modelo y capacidad está ubicado en el bastidor del elevador-tensor. El rótulo se muestra en un tamaño menor al tamaño real.



### Política de devolución de artículos

**Ingersoll-Rand** no aceptará ningún artículo devuelto para que se le haga trabajo de garantía o se le dé servicio a menos que se hayan hecho arreglos previos y se haya otorgado autorización por escrito del lugar donde se compraron los artículos.

Los elevadores-tensores que se devuelvan con ganchos abiertos, doblados o torcidos, o sin cable metálico y ganchos, no se repararán ni reemplazarán bajo garantía.

### AVISO

• El mejoramiento y el avance continuo del diseño pueden causar cambios en este elevador-tensor que no se incluyen en este manual. Los manuales se revisan periódicamente para incorporar cambios. Siempre revise el número de edición del manual en la cubierta del frente para obtener la copia más reciente.

### Desecho

Cuando haya caducado la vida útil del elevador-tensor, se recomienda que éste se desarme, se desengrase, y que las piezas se separen según sus materiales de manera que puedan reciclarse.

Para obtener información adicional, comuníquese a **Ingersoll-Rand Technical Support**

P.O. Box 618  
510 Hester Drive  
White House, TN 37188 EE.UU.  
Teléfono: (615) 672-0321  
Fax: (615) 672-0801

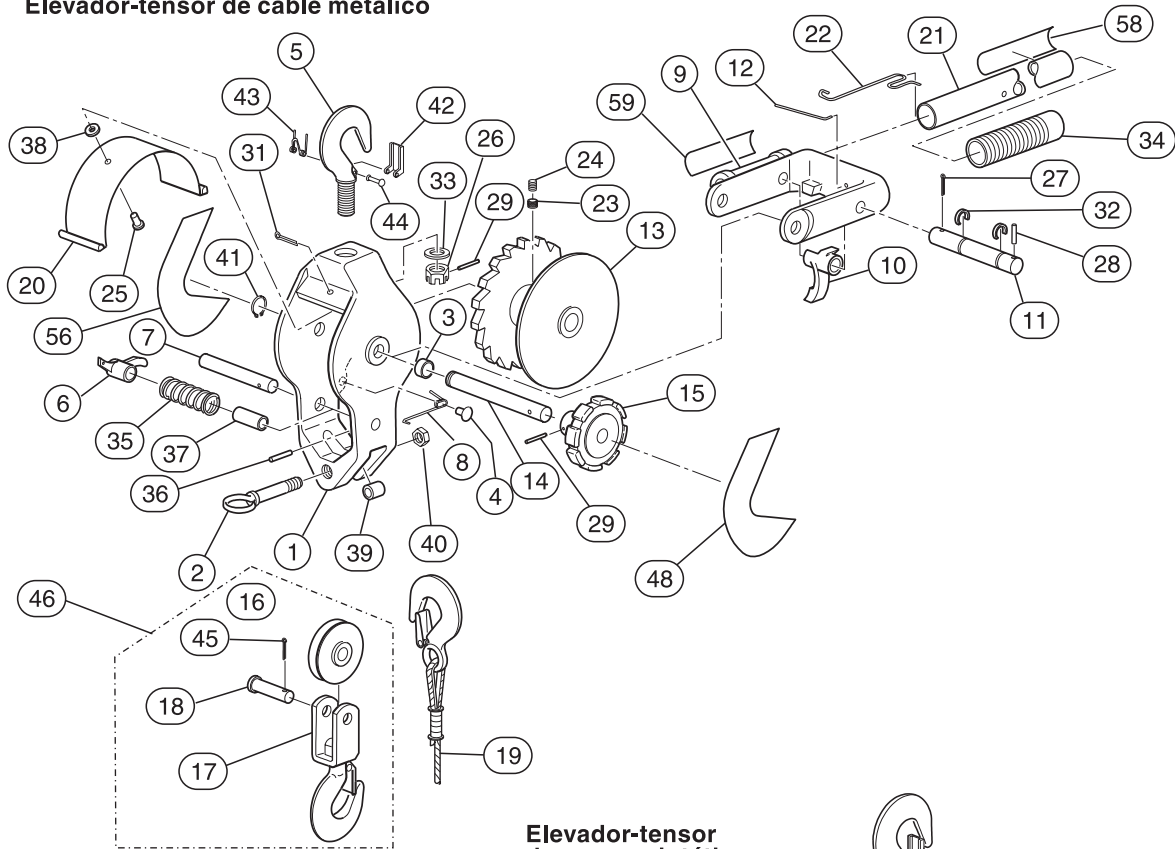
O bien a

**Ingersoll-Rand International Sales  
Douai Operations**

111, avenue Roger Salengro  
59450 Sin Le Noble, Francia  
Teléfono: (33) 3-27-93-08-08  
Fax: (33) 3-27-93-08-00

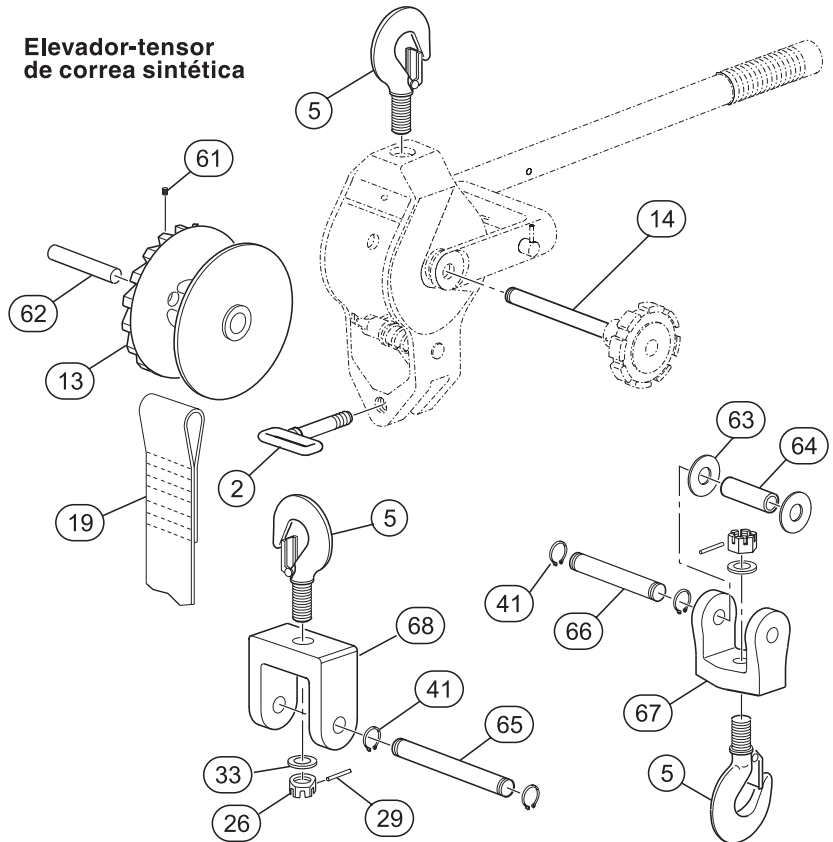
# DIAGRAMA DE PIEZAS DE CONJUNTO DEL ELEVADOR-TENSOR SERIE C

## Elevador-tensor de cable metálico



(Dibujo MHP0164E)

## Elevador-tensor de correa sintética



(Dibujo MHP1877E)



## LISTA DE PIEZAS DE CONJUNTO DEL ELEVADOR-TENSOR SERIE C

E  
S  
P  
A  
Ñ  
O  
L

NO. DE PIEZA	DESCRIPCIÓN DE LA PIEZA	CANT. TOTAL	NO. DE PIEZA	
			Correa	Cable Metálico
1	Bastidor	1	Pida el conjunto del elevador-tensor	
2	Guía del cable metálico o de la correa	1	71487425	4744
3	Cojinete	2	115A	
4	Pasador del resorte	1	4288-5	
5	Gancho	1	Pida el artículo 51	
6	Garra de Retención	1	47	
7	Eje de la garra de retención	1	4278	
• 8	Resorte de la garra de retención	1	4280	
9	Bastidor en forma de "U"	1	Pida el artículo 51	
10	Garra de arrastre	1	46	
11	Eje de la garra de arrastre	1	30	
• 12	Resorte de la garra de arrastre	1	55	
13	Tambor	1	71487433	71
14	Eje del tambor	1	71487466	29
15	Perilla	1	51	
16	Polea	1	---	Pida el artículo 46
17	Gancho	1	---	
18	Eje	1	---	
• 19	Ensamble del cable metálico, modelo C225H	1	---	3156-1
	Ensamble del cable metálico, modelo C300H			3156-2
	Ensamble del cable metálico, modelo C400H			3156-3
	Correa sintética modelo C400S		71487516	---
20	Protección del cable metálico	1	Pida el conjunto de la protección, artículo 52	
21	Conjunto de la manivela (incluye los artículos 21, 22, 34, y 48)	1	62	
	Conjunto (opcional) de la manivela de acero con recubrimiento de zinc (incluye los artículos 21, 22, 34, y 48)		62-S	
22	Resorte de la manivela	1	56	
23	Tornillo	1	---	52642
24	Tornillo de seguridad	1	---	52643
25	Pasador	1	Pida el artículo 52	
26	Tuerca	1	Pida el artículo 51	
27	Pasador de la garra de arrastre	1	8000-27	
28	Palanca selectora	1	8000-28	
29	Pasador de retén	2	8000-29	
31	Chaveta	1	8000-31	
32	Anillo de retén	2	8000-32	
33	Arandela de empuje	1	Pida el artículo 51	
34	Agarre de la manivela	1	51845	
35	Resorte de la garra de retención	1	4282	
• 36	Pasador de retén	1	8000-36	
37	Espaciador de la garra de sujeción	1	4332	
38	Anillo de retén	1	52641	
39	Espaciador	1	4745	
40	Tuerca	1	50176	
41	Anillo de retén	vea ( )	8000-41 (5)	8000-41 (1)
•	Repuesto recomendado			

## LISTA DE PIEZAS DE CONJUNTO DEL ELEVADOR-TENSOR SERIE C

NO. DE PIEZA	DESCRIPCIÓN DE LA PIEZA	CANT. TOTAL	NO. DE PIEZA	
			Correa	Cable metálico
42	Pestillo del gancho	1	Pida el artículo 54	
43	Resorte del pestillo del gancho	1		
44	Remache del pestillo del gancho	1		
45	Chaveta	1	---	8000-45
48	Rótulo del modelo C225H	1	---	71106348
	Rótulo del modelo C300H			71106355
	Rótulo del modelo C400H			71106330
	Rótulo del modelo C400S		71487276	---
56	Rótulo de advertencia	1	71106371	
58	Rótulo de advertencia	1	71106363	
59	Rótulo de la manivela	1	71106389	
60	Lubricante (opcional)	Según se requiera	LUBRI-LINK-GREEN®	
61	Tornillo de fijación del pasador del anclaje de la correa	1	71487458	---
62	Pasador del anclaje de la correa	1	71487441	
63	Arandela	2	71487508	
64	Rodillo del gancho de la polea	1	71487490	
65	Eje del gancho inferior	1	71487532	
66	Eje del gancho de la polea	2	71487482	
67	Bastidor del gancho de la polea	1	71487474	
68	Bastidor del gancho inferior	1	71487524	

### Conjuntos

NO. DE PIEZA	DESCRIPCIÓN DE LA PIEZA	NO. DE PIEZA	
		Correa	Cable metálico
• 46	Conjunto de la polea (incluye los artículos 16 a 18 y 45)	2911-SLH	
47	Ensamble del bastidor en forma de "U" (incluye los artículos 9 a 12, 27, 28 y 32)	294	
51	Conjunto del gancho (incluye los artículos 5, 26, 29, 33 y 42 a 44)	58-SLH	
52	Conjunto del protector (incluye los artículos 20, 25, 31 y 38)	4425	
• 54	Conjunto del pestillo del gancho (incluye los artículos 42, 43 y 44)	7328-A	
•	Repuesto recomendado		

## Garantía limitada

**Ingersoll-Rand Company (I-R)** garantiza al usuario original que sus productos se hallarán libres de defectos en los materiales y en la mano de obra durante un periodo de un año a partir de la fecha de adquisición. **I-R** reparará sin cargo alguno cualquier producto defectuoso, asumiendo tanto el coste de las piezas como el de la mano de obra, o bien, según su criterio, sustituirá dicho producto o reintegrará su importe a cambio del producto descontando del importe una cantidad razonable por su pérdida de valor. Las reparaciones y sustituciones están garantizadas durante el resto del periodo de garantía inicial.

En caso de que un producto resulte defectuoso dentro de su periodo inicial de garantía de un año, deberá ser devuelto con portes pagados a cualquier Servicio Autorizado de asistencia técnica para equipos de manipulación de materiales de **I-R**; en el paquete se deberá incluir el comprobante de venta o la tarjeta de garantía.

Esta garantía no se aplica a los productos que **I-R** considere que han sido sometidos a un uso indebido o excesivo, a un mantenimiento inadecuado por parte del usuario o en caso de que el mal funcionamiento o defecto se pueda atribuir al uso de piezas no originales de **I-R**.

**Ingersoll-Rand no otorga ninguna otra garantía; todas las garantías implícitas, incluyendo las de comerciabilidad o las de adecuación a fines particulares se limitan a la duración del periodo de garantía antes mencionado. La máxima responsabilidad de Ingersoll-Rand se limita al precio de adquisición del producto y en ningún caso será esta empresa responsable de ningún daño consecuente, indirecto, accidental ni especial de ningún tipo que pueda surgir como consecuencia de la venta o el uso del Producto, ya sea basado en un contrato, delito o en cualquier otro caso.**

**Nota:** En algunos estados no se admiten limitaciones sobre daños accidentales ni consecuentes ni sobre la duración de las garantías implícitas, por lo que no se aplicarían las anteriores limitaciones.

Esta garantía le otorga derechos legales específicos a los que se pueden añadir otros dependiendo del estado en el que resida.

## Aviso importante

Nuestra política se centra en garantizar la seguridad de todos los envíos. Este pedido ha sido cuidadosamente comprobado, embalado e inspeccionado antes de abandonar nuestra fábrica; la empresa transportista nos ha notificado a su vez que el envío ha llegado hasta usted en perfectas condiciones. En caso de pérdida o deterioro en el envío durante su transporte, tal circunstancia no se deberá a ninguna acción ni conducta realizada por el fabricante.

### **Pérdida o daños visibles**

En caso de que alguno de los artículos que consten en los conocimientos de embarque o en el recibo lleguen hasta usted con desperfectos o en número inferior al reflejado, no los acepte hasta que la compañía de fletes o de transporte realice la correspondiente anotación en los conocimientos del embarque o en el recibo.

### **Pérdida o daños ocultos**

En caso de que el envío llegue hasta usted en aparente buen estado, pero al abrir el embalaje o el contenedor observe pérdidas o desperfectos durante el transporte, póngalo en conocimiento del transportista inmediatamente.

### **Reclamaciones por daños**

Presente su reclamación a la compañía de transportes, a quien corresponde la responsabilidad de compensarle por la reparación o sustitución de los artículos deteriorados durante el transporte. Las reclamaciones por pérdidas o daños en el transporte no deben deducirse de la factura a abonar a **Ingersoll-Rand**, ni tampoco retrasar el pago de dicha factura a **Ingersoll-Rand** en espera de la compensación, ya que el transportista ofrece una garantía por el transporte seguro del artículo.

En este caso, puede enviarnos los productos deteriorados para su reparación, servicio este que deberá abonar y que constituirá el fundamento para su reclamación ante la agencia de transportes.



**LIRE CE MANUEL AVANT D'UTILISER CE MATÉRIEL.** Ce manuel contient des renseignements importants concernant la sécurité d'emploi, le montage, le fonctionnement et l'entretien de ce matériel. Le mettre à la disposition de toute personne responsable du fonctionnement, du montage et de l'entretien de ce matériel.

## ⚠ ADVERTISSEMENT

**Ne pas utiliser ce palan pour soulever, supporter ou transporter des personnes ni pour soulever ou supporter des charges au-dessus de personnes.**

**Toujours utiliser, inspecter et entretenir ce palan conformément au code ASME B30.21 et à tous autres codes et règlements applicables.**

## SÉCURITÉ RESEIGNEMENTS

Ce manuel contient des renseignements importants pour tout le personnel chargé du montage, de l'utilisation et de l'entretien de ce matériel en toute sécurité. Même en cas de grande familiarité avec ce matériel ou tout autre matériel de ce type, lire ce manuel avant d'utiliser ce matériel.

### Danger, Attention, Prudence et Important

Ce manuel contient, tout au long de son texte, des consignes et mesures qui, si elles ne sont pas observées, peuvent créer des situations de risque. Les mots suivants sont utilisés pour identifier le degré de danger éventuel.

#### ⚠ DANGER

Danger est utilisé pour indiquer la présence d'un danger qui *va* provoquer des blessures *graves*, voire mortelles, ou des dommages matériels importants en cas de non-observation.

#### ⚠ ADVERTISSEMENT

Attention est utilisé pour indiquer la présence d'un danger qui *peut* provoquer des blessures *graves*, voire mortelles, ou des dommages matériels importants en cas de non-observation.

#### ⚠ ATTENTION

Prudence est utilisé pour indiquer la présence d'un danger qui *va* ou *peut* provoquer des blessures ou des dommages matériels en cas de non-observation.

#### AVIS

Important est utilisé pour signaler au personnel des renseignements importants, mais non liés à des situations de danger, relatifs au montage, à l'utilisation ou à l'entretien du matériel.

### Sommaire sur la sécurité

#### ⚠ ADVERTISSEMENT

• Les palans sont conçus pour assurer un facteur de sécurité de 4 pour 1 et sont testés en usine à 125% de leur valeur nominale. Les structures portantes et les dispositifs de fixation de la charge utilisés conjointement avec ce palan doivent être suffisamment solides pour supporter toutes les opérations de levage, ainsi que le poids de l'appareil de traction et de ses accessoires. Cette responsabilité incombe au client. En cas de doute, consulter un ingénieur agréé spécialiste des constructions civiles.

Les palans **Ingersoll-Rand** sont construits en conformité avec les normes ASME B30.21 les plus récentes.

Le National Safety Council, l'Accident Prevention Manual for Industrial Operations, huitième édition, et d'autres sources de sécurité reconnues font la même observation: le personnel qui travaille à proximité de grues ou qui assistent dans l'accrochage et le placement d'une charge devra avoir pour consigne de ne jamais se placer sous une charge. Sur le plan de la sécurité, le facteur suivant est primordial: effectuer toutes les opérations de levage et de tirage de sorte que, en cas de défaillance du matériel, personne ne soit blessé. En d'autres termes, toujours éviter de se tenir sous une charge suspendue et se tenir loin de la ligne de force de toute charge.

La loi Occupational Safety and Health Act de 1970 attribue en général à l'utilisateur, et non pas au fabricant, la responsabilité du respect des règlements. De nombreuses consignes OSHA ne concernent pas le fabricant et n'ont aucun rapport avec lui mais ont à voir avec le montage final. La responsabilité revient au propriétaire et à l'utilisateur de déterminer l'adaptation d'un produit à un usage particulier. Il est recommandé de vérifier tous les règlements de l'industrie, des associations manufacturières, fédéraux, provinciaux et locaux à cet égard. Lire toutes les consignes d'utilisation et toutes les avertissement avant d'utiliser l'appareil.

**Câblage:** La responsabilité revient à l'opérateur de faire preuve de prudence, d'utiliser son bon sens et de se familiariser avec les techniques de câblage et de levage appropriées. Se reporter aux normes ASME B30.9 pour tous renseignements à ce sujet: American National Standards Institute, 1430 Broadway, New York, NY 10018.

## CONSIGNES DE SÉCURITÉ

Les avertissement et les consignes d'utilisation suivantes sont partiellement reprises de la norme American National Standard ASME B30.21 et visent à éviter, dans l'utilisation de l'appareil, des pratiques dangereuses qui pourraient entraîner des blessures ou des dommages matériels.

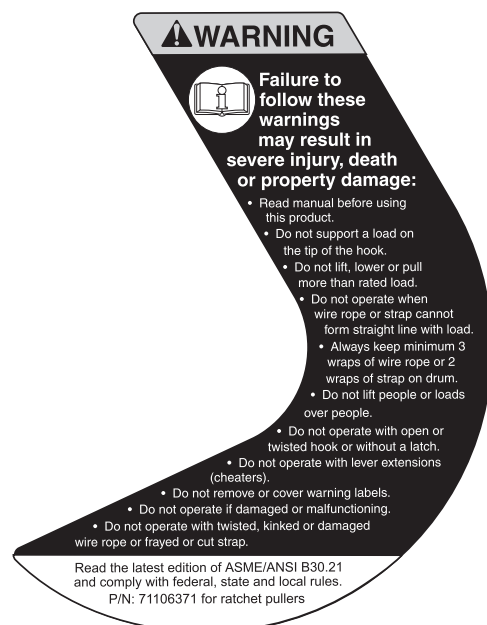
Les consignes de sécurité sont destinées à signaler à l'opérateur les pratiques dangereuses à éviter, dont une liste non exhaustive est présentée ci-dessous. Se reporter aux rubriques spécifiques de ce manuel pour toute information supplémentaire sur la sécurité.

1. Ne permettre l'utilisation du palan qu'aux personnes formées à la sécurité et au fonctionnement de cet appareil.
2. Utiliser un palan uniquement si on y est physiquement apte à le faire.
3. Lorsqu'un panneau « **HORS SERVICE** » est affiché sur le palan, ne pas utiliser l'appareil avant que le panneau n'ait été retiré par du personnel habilité.
4. Avant chaque utilisation, l'opérateur doit vérifier l'absence de tout signe d'usure ou de dommage.
5. Ne jamais utiliser un palan jugé défectueux ou endommagé à l'issue d'une inspection.
6. Ne pas utiliser le palan si le linguet de sécurité du crochet est détendu ou cassé.
7. Vérifier que les linguets de sécurité des crochets sont en appui avant d'utiliser.
8. Ne tirer que des charges inférieures ou égales à la capacité nominale du palan. Se reporter aux étiquettes de capacité apposées sur le palan.
9. Si deux palans sont utilisés sur une même charge, sélectionner des palans dont la capacité nominale est égale ou supérieure à la charge, au cas où la charge se déstabiliserait brusquement.
10. Ne jamais utiliser le câble d'un palan comme une élingue.
11. Placer la charge de façon appropriée. Ne jamais utiliser le palan lorsque la charge n'est pas centrée sous le crochet. Ne pas tirer latéralement.
12. Ne jamais utiliser un palan dont le câble métallique est entortillé, tordu ou endommagé ou dont le câble synthétique est effiloché ou tailladé.
13. Ne pas forcer un crochet à l'aide d'un marteau.
14. S'assurer que la charge repose correctement dans le sabot d'appui du crochet et que le linguet de sécurité du crochet est en appui.
15. Ne pas laisser reposer la charge sur le bout du crochet.
16. Ne jamais faire passer le câble de chargement sur une arête vive. Utiliser une poulie.
17. Ne pas quitter la charge des yeux pendant la manœuvre du palan.
18. Toujours s'assurer que ni vous ni quiconque ne soit dans la trajectoire de la charge. Ne pas soulever de charge au-dessus de quelque personne que ce soit.
19. Ne jamais utiliser le palan pour soulever ou faire descendre des personnes et ne jamais laisser quiconque monter sur une charge suspendue.
20. Supprimer le mou du câble métallique ou de la courroie avant de commencer à tirer la charge. Ne pas tirer brusquement la charge.
21. Ne pas faire osciller une charge suspendue.
22. Ne jamais souder ni découper une charge suspendue par un palan.
23. Ne jamais utiliser le câble du palan comme électrode de soudage.
24. Ne pas utiliser le palan en cas d'enrayage, de surcharge ou de grippage.
25. Ne pas utiliser d'allonge ni de poignée à rallonge.
26. Toujours utiliser des gants lors de la manipulation du câble.
27. Lors du soulèvement de charges pesantes, prendre l'allongement du câble synthétique en cause.

## ÉTIQUETTE DE AVERTISSEMENT

Chaque palan porte l'étiquette de avertissement ci-contre à la sortie de l'usine. L'étiquette auto-collante doit être clairement visible sur le palan à tout moment. Si elle n'est pas collée sur le palan, en commander une neuve et la coller.

Se reporter à la liste de pièces détachées pour en connaître la référence. Lire et respecter toutes les mises en garde et autres renseignements relatifs à la sécurité apposés sur ce palan. L'étiquette de mise en garde peut être de dimensions différentes de celle montrée ici.



# CARACTÉRISTIQUES TECHNIQUES

Tableau 1

Référence du modèle		Capacité nominale		Distance de tirage		Diamètre maximum du câble		Distance minimum entre les crochets		Poids net	
		lb	kg	pi	m	po	mm	po	cm	lb	kg
C225H	Ligne simple	1000	450	38	11,6	0,187	5	17	43	14	6,4
	Ligne double	2000	900	19	5,8			22	56		
C300H	Ligne simple	1400	635	30	9,1	0,218	6	17	43	15	6,8
	Ligne double	2800	1270	15	4,6			22	56		
C400H	Ligne simple	1700	770	20	6,1	0,250	6	17	43	16	7,3
	Ligne double	3400	1540	10	3			22	56		
						<b>Dimensions de la sangle</b>					
C400S	Sangle simple	2000	900	12	3,7	1-7/8 x 3/32	47,8 x 2,4	17	43	10,8	4,9
	Sangle double	4000	1800	6	1,8			22	56	17,4	7,9

\* Pour le premier enroulement sur le tambour. La capacité nominale diminue à mesure que le tambour se remplit de câble métallique ou synthétique.

## FONCTIONNEMENT

Ne jamais utiliser le palan pour soulever ou faire descendre des objets. Utiliser le palan seulement pour tirer.

### Méthodes de chargement du palan

Le palan de série C peut être utilisé dans n'importe quelle position à condition qu'il puisse être monté de façon à tirer en ligne droite du crochet supérieur au crochet inférieur.

Lorsque le palan est utilisé dans un espace restreint, employer des élingues appropriées pour empêcher l'obstruction du corps et de la poignée du palan.

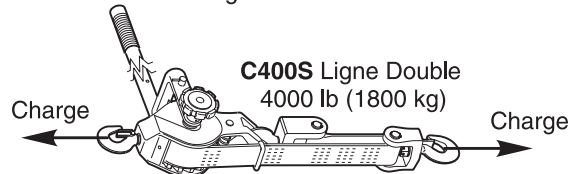
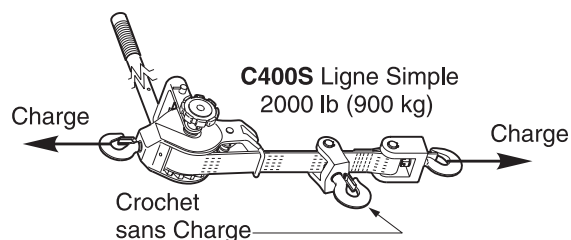
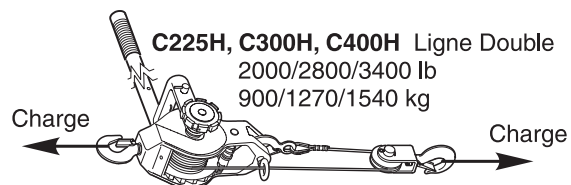
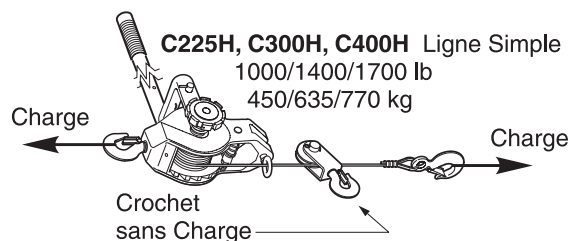
### ⚠ ADVERTISSEMENT

- Toujours garder un minimum de trois tours de câble ou deux tours de sangle enroulés sur le tambour.
- Ne pas utiliser d'allonge sur la poignée

Pour doubler la capacité du palan monté en ligne simple, connecter l'assemblage crochet-sangle/câble métallique (19) à la bague d'espacement et fixer l'assemblage de la poulie (46) à la charge. (Se reporter au schéma MHP1881F, page F-3.)

### Pose et dépose de la poignée

1. La poignée (21) peut être montée à l'une ou l'autre extrémité du cadre en U (9).
2. Insérer la boucle du ressort (22) à l'extrémité de la poignée (21) dans le cadre en U (9) et pousser dans la poignée. Aligner le ressort (22) sur la petite découpe dans le cadre en U (9) et appuyer jusqu'à ce que la poignée s'enclenche en place.
3. Pour déposer la poignée (21), appuyer sur la boucle du ressort (22) jusqu'à ce qu'il se dégage du cadre en U (9). Tirer sur la poignée (21).



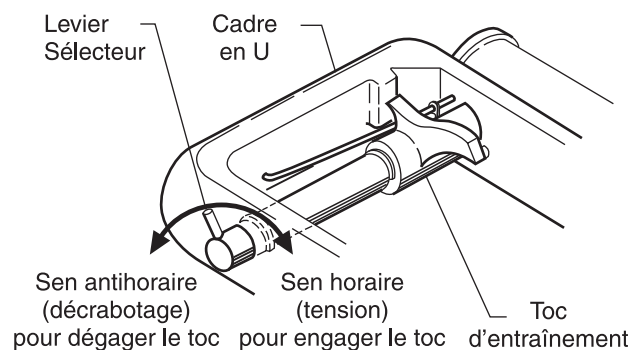
(Schéma MHP1881F)

### Positionnement du crochet sans charge (décrabotage)

1. Avant de positionner le crochet, s'assurer que le palan ne supporte aucune charge.



2. Pour dégager le toc d'entraînement (10) de la denture du tambour (13), se mettre face au bouton (15) et tourner le levier sélecteur (28) dans le sens antihoraire en position de déroulement.



(Schéma MHP0850F)

### AVIS

- Le levier sélecteur (28) se trouve sur le cadre en U (9), près du tambour (13).

3. Dégager le toc de maintien (6) de la denture du tambour en poussant le levier du toc de maintien vers le tambour.
4. Tirer sur le crochet du câble métallique ou de la sangle (19) et le déplacer à l'endroit désiré.
5. Relâcher le levier du toc de maintien.
6. Tendre le câble métallique ou la sangle en tournant le bouton (15) dans le sens horaire.

### Soulèvement de la charge

1. Pour engager le toc d'entraînement (10) dans la denture du tambour (13), se mettre face au bouton (15) et tourner le levier sélecteur (28) dans le sens horaire, en position de levage.
2. Tirer sur la poignée en un mouvement de va et vient. La rotation de la poignée vers le toc de maintien (6) fait tourner le tambour.

### Abaissement de la charge

1. Pour dégager le toc d'entraînement (10) de la denture du tambour, se mettre face au bouton (15) et faire tourner le levier sélecteur (28) dans le sens antihoraire en position de déroulement.
2. Déplacer la poignée vers le toc de maintien (6) jusqu'à ce que le toc d'entraînement (10) se dégage du toc de maintien (6) et permette à la charge d'être relâchée une dent de tambour à la fois. Continuer à tirer à petits coups sur la poignée jusqu'à ce que la charge se trouve à l'endroit approprié.

### AVIS

- Le toc de maintien est engagé lors du déroulement ou du levage d'un câble ou d'une sangle qui supporte une charge.

### Enroulement du câble métallique ou de la sangle

Lorsque le palan ne supporte plus de charge, utiliser le bouton (15) pour enrouler le câble métallique ou la sangle sur le tambour.

1. Pour dégager le toc d'entraînement de la denture du tambour, se mettre face au bouton (15) et faire tourner le levier sélecteur (28) dans le sens antihoraire en position de déroulement.
2. Faire tourner le bouton (15) dans le sens horaire pour réenrouler le câble métallique ou la sangle.

### AVIS

- Lors de l'enroulement du câble ou de la sangle, exercer une tension constante. L'élimination du mou permet un enroulement uniforme et bien serré sur le tambour.

### Entreposage du palan

1. Toujours entreposer le palan sans charge.
2. Nettoyer toute poussière ou eau accumulée.
3. Huiler le câble métallique ainsi que les goupilles et le linguet du crochet.
4. Dans le cas d'un palan à sangle, nettoyer la sangle et la sécher.
5. Ranger dans un endroit sec.

## INSPECTION

Il existe deux types d'inspection, l'inspection fréquente effectuée par les opérateurs et une inspection périodique effectuée de façon rigoureuse par du personnel formé au fonctionnement et à l'entretien de ce palan. Une inspection minutieuse régulière permet de déceler, au plus tôt, les conditions de danger potentiel et de prendre des mesures correctives avant que ces conditions ne deviennent réellement dangereuses. Les défauts révélés durant l'inspection doivent être corrigés avant de reprendre l'utilisation du palan. Il faut déterminer si ce défaut constitue un danger.

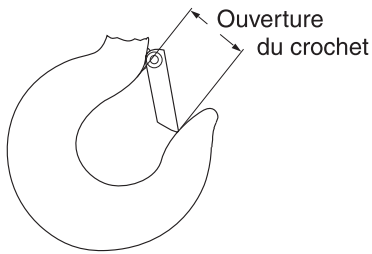
### Inspection fréquente

Le palan doit être inspecté avant chaque usage. Mener des inspections visuelles au cours de son utilisation régulière pour dépister toute détérioration ou signe de fonctionnement défectueux.

1. FONCTIONNEMENT. Vérifier toute indication visuelle ou tout bruit anormaux, qui pourraient signaler un problème potentiel. S'assurer que la mécanique de la poignée, le toc

d'entraînement et le toc de maintien fonctionnent correctement. Les réparer ou les remplacer s'il y a lieu.

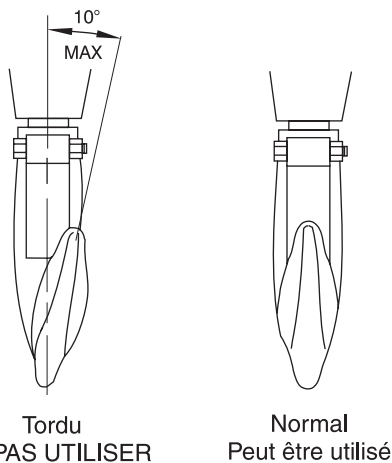
2. CROCHETS. Vérifier tout signe d'usure ou de détérioration, d'ouverture excessive, de cintrage de la tige ou du crochet. Remplacer les crochets dont l'ouverture est supérieure à la valeur indiquée au tableau 2 (voir le schéma MHP0040F, page F-5) ou dont la torsion latérale est supérieure à 10° (voir le schéma MHP0111F, page F-5). Si le linguet du crochet s'enclenche au-delà de la pointe du crochet, ce dernier est tordu et doit être remplacé.



(Schéma MHP0040F)

Tableau 2

Crochet (tous modèles)	Largeur d'ouverture		Largeur de mise au rebut	
	po	mm	po	mm
Émerillon supérieur	0,98	24,9	1,13	28,7
Ansee				
Oeilleton (câble)	0,96	24,4	1,1	27,9



(Schéma MHP0111F)

3. LINGUET DU CROCHET. Vérifier le fonctionnement du linguet du crochet. Le remplacer s'il est cassé ou manquant.
4. CÂBLE MÉTALLIQUE. Lubrifier si nécessaire. Remplacer tout câble endommagé ou trop usé. Se reporter aux renseignements relatifs à l'inspection fournis par le fabricant du câble ou à une source de renseignements reconnue sur la sécurité comme le manuel Accident Prevention Manual for Industrial Operations du National Safety Council ou la norme ASME B30.21. La liste suivante constitue un guide de normes reconnues pour l'évaluation des câbles et ne doit pas remplacer l'expertise d'un inspecteur qualifié.
  - a. Dommages, comme les « nids d'oiseaux », les entortillements, la protrusion de l'âme du câble, l'écrasement, les dommages causés par la chaleur et le déplacement du fil principal.
  - b. Corrosion et début de cassure.
  - c. Usure des câbles couronnés. Remplacer lorsque l'usure représente 1/3 du diamètre initial de tout câble couronné.
  - d. Fils ou brins cassés, particulièrement au niveau des connexions. Le câble doit être remplacé si un fil est cassé au niveau d'une connexion, que douze fils sont cassés dans un même toron ou que quatre fils sont cassés dans un brin d'un toron.
5. SANGLE SYNTHÉTIQUE. La sangle doit être propre et sèche. Éliminer tout lubrifiant ou saleté. Remplacer la sangle si elle est effilochée ou tailladée.

6. PASSAGE DU CÂBLE OU DE LA SANGLE DANS LE TIRE-CÂBLE. Vérifier le passage du câble ou de la sangle dans le tire-câble et s'assurer que le câble est bien fixé au tambour. Se référer à la « Pose d'un nouveau câble » sous la rubrique « ENTRETIEN ».
7. POIGNÉE. Vérifier que la poignée n'est pas cintrée et qu'elle ne présente pas de fendillements ni autres dommages. La remplacer s'il y a lieu.

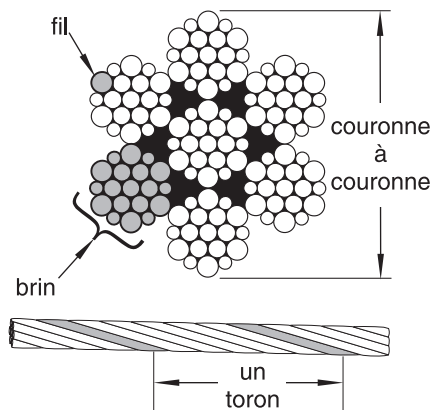
### Inspection périodique

D'après la norme ASME B30.21, la fréquence des inspections périodiques dépend essentiellement de l'intensité d'utilisation:

NORMAL	IMPORTANTE	INTENSE
Une fois par an	Tous les six mois	Tous les trois mois

Une utilisation IMPORTANTE ou INTENSE peut nécessiter le démontage de l'appareil. Conserver tous les rapports écrits des inspections périodiques afin d'établir une base pour une évaluation continue. Inspecter tous les éléments évoqués à la rubrique « Inspection Fréquente ». Inspecter également:

1. ÉLÉMENTS DE FIXATION. Vérifier l'état des rivets, des écrous, des goupilles fendues et autres éléments de fixation des crochets et du cadre. Remplacer les éléments manquants et serrer ou fixer en place s'il y a du jeu.
2. TOUS COMPOSANTS. Vérifier l'absence de toute usure, détérioration, distorsion, déformation ou saleté. Si l'état extérieur en indique la nécessité, démonter. Vérifier les dentures, les cadres, les arbres, le tambour, les poulies, les tiges de guidage, les ressorts et les garants. Remplacer les pièces usées ou endommagées. Nettoyer, lubrifier et remonter.
3. CROCHETS. Vérifier l'absence de toute fissure au niveau des crochets. Utiliser la méthode faisant appel à de la poudre magnétique ou la fluorométrie pour vérifier s'il y a des fissures. Inspecter les pièces de fixation du crochet. Les resserrer, les réparer ou les remplacer s'il y a lieu. Se reporter à la dernière édition de la norme ASME B30.10 (crochets) pour plus d'indications sur l'inspection des crochets.
4. TAMBOURS ET POULIES. Vérifier toute usure ou détérioration excessive. Remplacer s'il y a lieu.
5. MÉCANISME DES TOCS. S'assurer que les tocs s'engagent dans les dentures du tambour. Vérifier l'absence de fissures, d'usure ou de détérioration des cliquets des tocs et les dentures du tambour. Vérifier l'absence de distorsion ou de détérioration des ressorts. Réparer ou remplacer s'il y a lieu.
6. ÉTIQUETTES. Vérifier leur présence et leur lisibilité. Les remplacer s'il y a lieu.
7. CÂBLE MÉTALLIQUE. En plus des éléments d'une inspection périodique, inspecter les éléments suivants:
  - a. Toute accumulation de poussière ou de corrosion. Nettoyer s'il y a lieu.
  - b. Toute connexion d'extrémité desserrée ou endommagée. Remplacer si elle est desserrée ou endommagée.
  - c. Vérifier que l'ancrage du câble est solide.
  - d. Tout changement du diamètre du câble. Mesurer périodiquement le diamètre du câble d'une couronne à l'autre tout au long de la vie utile du câble. Le diamètre actuel doit être mesuré pendant que le câble est sous une charge équivalente et dans la même section d'opération. Si le diamètre actuel du câble indique une diminution du diamètre de plus de 1/64 po (0,4 mm), un examen minutieux du câble doit être effectué par un inspecteur qualifié afin de déterminer si le câble doit être remplacé. Voir le schéma MHP0056F, page F-6.



(Schéma MHP0056F)

8. SANGLE SYNTHÉTIQUE. Inspecter la surface de la sangle. Remplacer celle-ci si elle est déchirée, coupée, effilochée ou usée.

## LUBRIFICATION

### Points de pivot et roulements

Lubrifier les languets des crochets, les broches des crochets, les points de pivot des tocs d'entraînement et de maintien ainsi que les roulements du tambour et de la poulie, en fonction de l'intensité d'utilisation, avec de l'huile LUBRI-LINK-GREEN® **Ingersoll-Rand** ou SAE 30W. Si le palan est démonté, graisser la zone des points de pivot et des roulements.

### Câble métallique

1. Nettoyer avec une brosse ou à la vapeur en cas de présence de saleté ou d'autres corps étrangers.

### ⚠ ATTENTION

- Ne jamais utiliser de solvant acidobasique ou autre produit de nettoyage.
2. Appliquer du lubrifiant LUBRI-LINK-GREEN® **Ingersoll-Rand** ou de l'huile SAE 30W.
  3. Appliquer du lubrifiant au pinceau, en trempant la pièce dedans ou par vaporisation une fois par semaine ou plus fréquemment, en fonction de l'intensité d'utilisation.

### Sangle synthétique

1. Ne pas lubrifier. Garder la sangle synthétique propre.

## ENTRETIEN

### ⚠ AVERTISSEMENT

- Ne jamais effectuer l'entretien du palan lorsqu'il y a une charge sur le câble ou la sangle.
- Avant d'effectuer l'entretien du palan, placer un panneau de mise en garde:

**AVERTISSEMENT – NE PAS UTILISER –  
MATÉRIEL EN COURS DE RÉPARATION**

- Ne permettre l'entretien du palan qu'aux personnes formées à la sécurité et à son fonctionnement.
- Une fois l'entretien terminé, tester le palan jusqu'à 125% de sa capacité nominale avant de le remettre en service.

### Dépose du câble métallique

1. Décraboter le câble du tambour. Se reporter à la rubrique « Positionnement du crochet sans charge – décrabotage » dans la section « OPÉRATION ».
2. Enlever la goupille fendue du garant (31), la broche de retenue (38) et le garant (20).

### ⚠ ATTENTION

- Ne pas desserrer la vis de retenue du tambour (23), qui se trouve sous la vis de blocage du câble métallique (24).

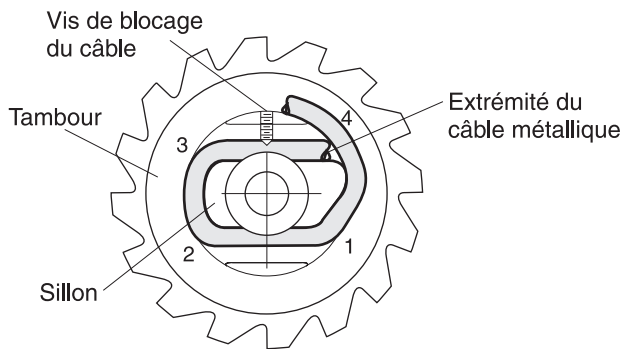
3. Desserrer la vis de blocage (24) et enlever l'assemblage du câble métallique (19).
4. Pousser le câble métallique dans le trou 1 jusqu'à ce qu'il se forme une légère boucle entre les trous 2 et 3.
5. Desserrer la vis de blocage (24) et sortir l'extrémité du câble du tambour. Sortir le câble par les trous 2 et 1 et le mettre au rebut.

### Dépose de la sangle synthétique

1. Décraboter la sangle du tambour. Se reporter à la rubrique « Positionnement du crochet sans charge – décrabotage » dans la section « OPÉRATION ».
2. Retirer le tambour du cadre. Se reporter à la rubrique « Dépose du tambour » dans la section « ENTRETIEN ».
3. Retirer la vis d'arrêt (61) et pousser sur l'axe de la sangle (62) pour le sortir du tambour. Enlever la sangle et la mettre au rebut.

## Pose du câble métallique

1. Couper le câble à la longueur désirée et fusionner les extrémités pour éviter l'effilochage des fils en suivant les indications du fabricant du câble.
2. Insérer l'extrémité du câble métallique dans le boulon à œil (2).
3. Passer l'extrémité du câble dans le trou 1 du tambour (13), la faire sortir du trou 2, le passer le long du sillon du tambour, puis dans le trou 3. Se reporter au schéma MHP0081F, page F-7.
4. Placer l'extrémité du câble juste sous la surface du tambour près du trou 4. Fixer solidement à l'aide de la vis de blocage (34).
5. Tirer sur l'extrémité attachée au crochet du câble métallique jusqu'à ce que le câble repose dans le sillon du tambour.



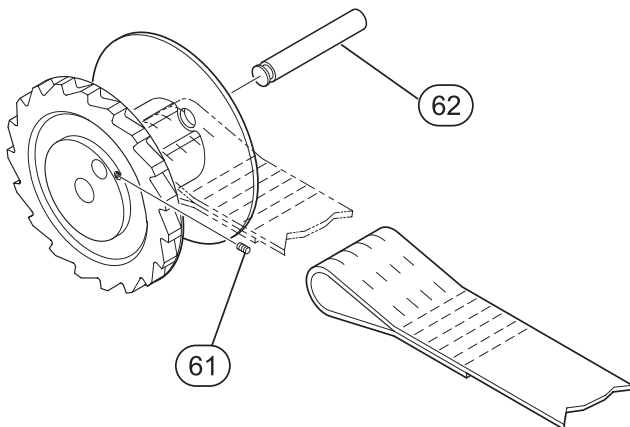
(Schéma MHP0081F)

6. Poser le garant (20) et le maintenir en place à l'aide de la broche de retenue (25), de la bague de retenue (38) et de la goupille fendue (31).
7. Enrouler le câble sur le tambour en le maintenant sous tension.

## Pose de la sangle synthétique

Se reporter au schéma MHP1880F, page F-7.

1. Se reporter à la rubrique « Dépose de la sangle synthétique » dans la section « ENTRETIEN ».
2. Retirer la vis d'arrêt (61) et la goupille (62).
3. Insérer la nouvelle sangle. Remettre la goupille et la vis d'arrêt en place.
4. Poser le tambour. Se reporter à la rubrique « Remplacement du tambour » dans la section « ENTRETIEN ».
5. Remettre le garant (20) en place et le fixer en place.

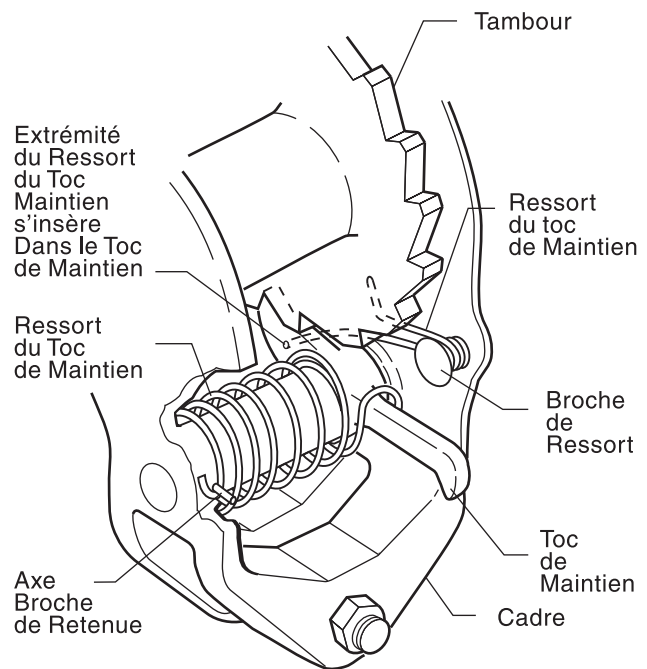


(Schéma MHP1880F)

## Remplacement du ressort du toc de maintien

Se reporter au schéma MHP0164F, page F-11.

1. Scier la tête de la goupille du ressort (4) et la retirer du cadre.
2. Sortir la broche de retenue (36) à l'aide d'un chasse-goupille de 1/8 po (3 mm) de diamètre.
3. Pousser ou taper légèrement sur l'axe du toc de maintien (7) à travers le cadre à partir du côté levier pour le sortir suffisamment pour que le toc de maintien (6) se trouve dégagé.
4. Retirer le toc de maintien (6).
5. Retirer le vieux ressort du toc de maintien (8) du toc de maintien (6) et le remplacer par un ressort neuf (8).
6. Placer le toc de maintien (6) de façon à ce qu'il s'engage dans la denture du tambour (13) et empêche le tambour de tourner. S'assurer que le ressort (8) peut tourner pour se mettre en place.
7. Taper légèrement sur l'axe du toc de maintien (7) pour le réinsérer dans le toc de maintien (6) et dans le cadre (1). Aligner les trous pour broche de retenue (36) du cadre (1) et du toc de maintien (6).
8. Poser la broche de retenue (36). Laisser une partie de la broche de retenue (36) dépasser du cadre (1) du même côté du palan que le levier du toc de maintien afin de pouvoir y accrocher le ressort.
9. Poser le ressort (35) en accrochant l'extrémité dotée d'un petit « crochet » sur la broche de retenue (36) et l'autre sur le toc de maintien (6). Le ressort (35) doit garder le toc de maintien engagé dans la denture du tambour.
10. Placer la boucle du ressort du toc de maintien (8) sur le trou du cadre (1) destiné à la goupille du ressort.
11. Insérer une nouvelle goupille pour ressort (4) en plaçant la grosse tête à l'intérieur du cadre (1). Soutenir la grosse tête et fixer la goupille en place en champignonnant l'extrémité plus petite.



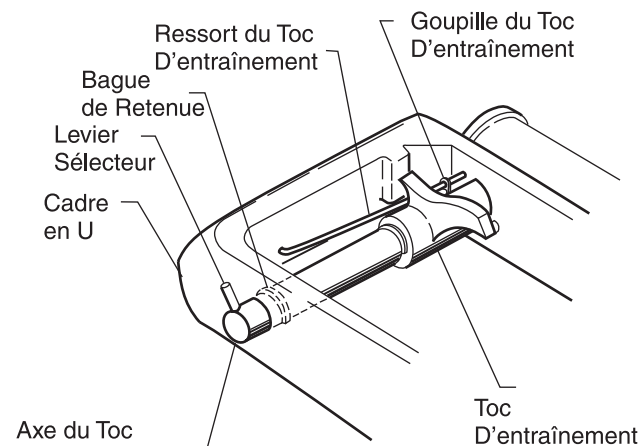
(Schéma MHP0481F)

## Remplacement du ressort de rappel du toc de maintien

### ATTENTION

• Le ressort du toc de maintien (12) est tendu. L'enlever avec prudence afin d'éviter les blessures.

1. Pour retirer le ressort du toc d'entraînement (12), insérer la lame d'un tournevis entre le ressort (12) et le cadre en U (9) et faire levier pour le sortir.



(Schéma MHP0144F)

Pour poser un nouveau ressort, procéder comme suit:

1. Retirer la bague de retenue (32) qui affleure au même niveau que le toc d'entraînement (10).
2. Glisser le toc d'entraînement (10) vers le centre du tambour (13).
3. Se mettre face au bouton (15) et faire tourner le levier sélecteur (28) dans le sens horaire afin que l'extrémité du ressort (12) puisse être insérée dans la goupille (27) du toc d'entraînement.
4. Insérer l'extrémité du ressort (12) dans la goupille (27).
5. Tout en tirant sur le levier sélecteur, faire tourner de 90 degrés dans le sens antihoraire.
6. Refaire glisser le toc d'entraînement (10) en place. Il doit s'engager dans la denture de tambour. S'il n'est pas possible de mettre le toc d'entraînement (10) en place, essayer de faire tourner en cadre en U pour faire de la place.
7. Insérer la bague de retenue sur l'axe du toc d'entraînement (11).

## Dépose du tambour ou du cadre en U

1. Déposer la poignée (21) si elle est en place.
2. Retirer le câble métallique du tambour. Se reporter à la rubrique « Dépose du câble métallique » dans la section « ENTRETIEN ».
3. Pour accéder à la vis (3), enlever la vis de blocage (24).
4. Desserrer la vis (23). Ne pas l'enlever.
5. Enlever la bague de retenue (41) de l'arbre du tambour.
6. Enlever le bouton (15) et l'arbre du tambour (14) ensemble, en faisant jouer le bouton (15) et en tirant.
7. Enlever le cadre en U (9).
8. Enlever le tambour (13).

## Remplacer du tambour et du cadre en U

1. Poser le tambour (13) en veillant à ce que le toc de maintien (6) s'engage dans la denture.

### AVIS

• Si le tambour est difficile à poser, essayer de le poser à partir de l'autre côté du cadre (1) tout en écartant le ressort de dégagement du toc de maintien (8).

2. Aligner les trous dans le cadre en U (9) et les trous du cadre (1). Orienter le cadre en U (9) de façon à ce que le toc d'entraînement s'engage dans la denture et à ce que le cadre en U fasse fonctionner le ressort (8) du toc de maintien (6).
3. Noter l'emplacement de l'encoche dans le tambour (14) par rapport au bouton (15) et à la broche de retenue (29). Aligner l'encoche sur la vis de retenue (23) de l'arbre du tambour pendant le montage du tambour.

### AVIS

• Marquer le bouton (15) d'un repère dans l'alignement de l'encoche de l'arbre du tambour (14) pour faciliter l'alignement.

4. Insérer le bouton (15) et l'arbre du tambour (14) en tant qu'unité.
5. Poser la bague de retenue (41) pour fixer la position de l'arbre du tambour (14).
6. Vérifier l'alignement de l'encoche avec la vis (23), réaligner s'il y a lieu.
7. Serrer la vis (23). La vis (23) fixe le tambour (13) à l'arbre du tambour (14).
8. Poser le câble métallique ou la sangle. Se reporter à la rubrique « Pose de la sangle synthétique » ou à « Pose du câble métallique » dans la section « ENTRETIEN ».
9. Vérifier le bon fonctionnement du toc d'entraînement (10) en poussant le levier sélecteur en position de levage et d'abaissement.

## Dépose du crochet

1. Passer le levier sélecteur sur DOWN (bas) et écarter le cadre en U (9) en le faisant tourner vers le crochet de l'assemblage du câble métallique (19).
2. Faire tourner le crochet (5) pour donner le maximum d'espace à l'arrière.
3. Enlever la broche de retenue (29).
4. Enlever le crochet (5) en tenant l'écrou (26) en plaçant un tournevis dans l'une des fentes ou avec une clé et en faisant tourner le crochet dans le sens antihoraire.

## Pose du crochet

1. Aligner l'écrou (26) et la rondelle de butée (33) sur le trou du cadre (1) pour le crochet (5).
2. Tenir l'écrou (26) en place et monter le crochet (5). S'assurer que le crochet (5) a suffisamment de jeu pour pivoter librement que le trou dans la hampe du crochet s'aligne sur une des fentes de l'écrou (26).
3. Fixer l'écrou (26) en place à l'aide de la broche de retenue (29). Centrer la broche (29) dans la hampe du crochet et l'écrou (26).

### Ajout d'un assemblage de poulie

Pour doubler la capacité (la vitesse sera diminuée de moitié) d'un palan monté en ligne simple, monter un assemblage de poulie (46) et effectuer un montage en ligne double pour **câble métallique**.

Pour monter un assemblage de poulie, enlever le câble ou la sangle. Se reporter à la rubrique « Dépose d'un câble métallique » dans la section « ENTRETIEN ». Glisser l'assemblage de poulie par-dessus l'extrémité du câble métallique ou de la sangle et renfiler le câble.

### Sangle synthétique

1. Enlever une bague de retenue (41), appuyer sur l'axe (66) pour le sortir de l'émerillon (67). Attraper les rondelles (63) et le rouleau du crochet de la poulie (64).
2. Placer la sangle dans l'émerillon.
3. Insérer l'axe dans l'émerillon, la rondelle, le rouleau du crochet de la poulie et la rondelle et le fixer en place avec la bague de retenue.

### Remplacement d'un linguet

1. À l'aide d'une lime à main ou à air, enlever la tête de la goupille (44) du linguet.
2. Sortir la goupille du linguet, puis enlever le linguet (42) et le ressort (43).

### Pose d'un nouveau linguet

1. Placer le ressort (43) dans le linguet (42) de façon à ce que les longues extrémités libres du ressort se trouvent sous le linguet.
2. Maintenir la boucle du ressort comprimée et placer le ressort et le linguet dans le crochet.
3. Insérer une nouvelle goupille (44) et champignonner la tête pour fixer le linguet en place.
4. S'assurer que le linguet se déplace librement et que l'extrémité du linguet ne dépasse pas de la pointe du crochet.

**AVIS**

- Utiliser des pièces de la marque Ingersoll-Rand seulement.

## DÉPANNAGE

Cette section fournit des consignes de dépannage de base. Les causes d'un problème seront déterminées de façon plus précise après inspection par du personnel formé à la sécurité, au fonctionnement et à l'entretien de ce matériel. Le tableau ci-dessous fournit un guide rapide des manifestations les plus courantes de problèmes, leur cause probable et la façon d'y remédier.

SYMPTÔME	CAUSE	ACTION CORRECTIVE
Le palan n'encliquette pas.	Dent d'arrêt cassée.	Remplacer le tambour.
	Ressort cassé.	Remplacer le ressort.
	Toc tordu.	Remplacer le toc.
	Cadre tordu.	Remplacer le cadre.
Le palan ne décharge pas.	Toc d'entraînement en mauvaise position.	Placer le levier sélecteur dans la position DOWN (bas) ou de déchargement.
	Ressort du toc d'entraînement endommagé.	Remplacer le ressort du toc d'entraînement.
	Ressort du toc de maintien endommagé.	Remplacer le ressort du toc de maintien.
Le palan ne tire pas.	Toc d'entraînement en mauvaise position.	Placer le levier sélecteur dans la position UP (haut) de levage.
	Ressort du toc d'entraînement endommagé.	Remplacer le ressort du toc d'entraînement.
	Ressort du toc de maintien endommagé.	Remplacer le ressort du toc de maintien.



## COMMANDE DE PIÈCES DE RECHANGE

L'utilisation de pièces autres que des pièces **Ingersoll-Rand** peut annuler la garantie. Pour un service rapide et des pièces de la marque **Ingersoll-Rand**, fournir à votre distributeur le plus proche:

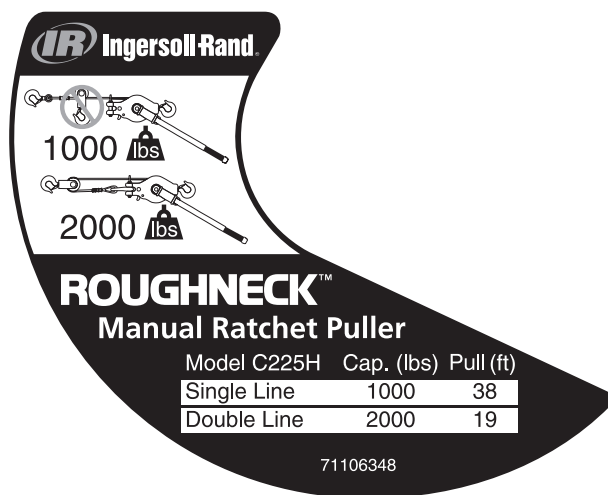
1. Le numéro de modèle complet tel qu'il apparaît sur l'étiquette de capacité de charge (exemplaire montré ci-dessous): C225H, C300H, C400H ou C400S et leur capacité.
2. Le numéro de pièce et la description tels qu'indiqués dans le manuel.
3. La quantité désirée.

Pour plus de commodité et pour référence ultérieure, il est recommandé de noter les renseignements ci-dessous.

Numéro de modèle de palan \_\_\_\_\_

Date d'achat \_\_\_\_\_

L'étiquette de capacité de charge montrée ci-dessous est d'une taille inférieure à la taille réelle.



### Politique de retour de marchandise

**Ingersoll-Rand** n'acceptera aucun retour de marchandises à des fins de service après-vente ou au titre de la garantie sans que des dispositions n'aient été prises et qu'une autorisation écrite ait été fournie au préalable de la part de l'établissement où la marchandise a été achetée.

Les palans retournés avec les crochets ouverts, faussés ou tordus ou sans câble métallique et crochets ne sera pas réparé ni remplacé au titre de la garantie.

### AVIS

• **L'amélioration et le perfectionnement continuels dans la conception peuvent se traduire par des modifications qui ne sont pas incluses dans ce manuel. Les manuels sont mis à jour sur une base régulière pour y incorporer tout changement apporté au matériel. Toujours vérifier le numéro d'édition du manuel sur la page couverture pour s'assurer de toujours avoir le numéro le plus récent.**

### Mise au rebut

Lorsque la durée de vie utile du palan vient à sa fin, il est recommandé de démonter entièrement le palan, de le dégraisser et de mettre de côté les pièces recyclables.

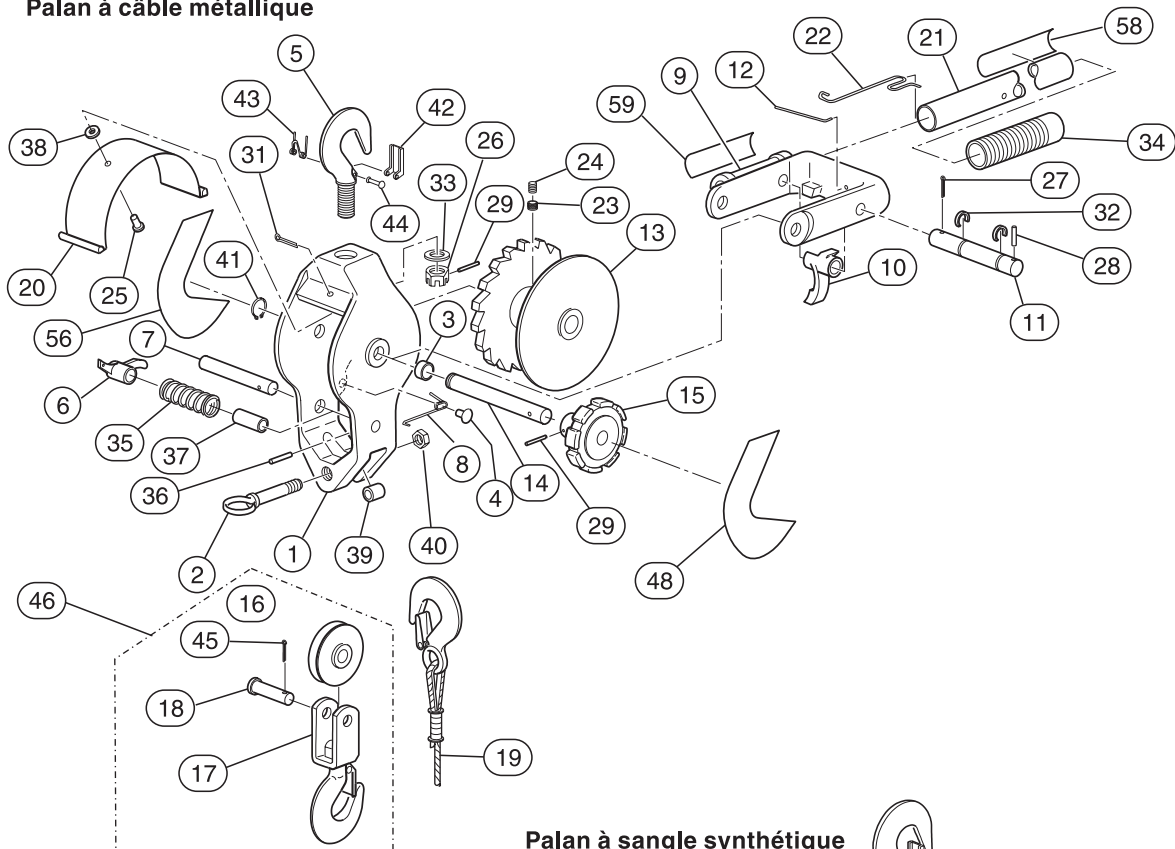
Pour plus de renseignements, contacter:  
**Assistance technique Ingersoll-Rand**  
P.O. Box 618  
510 Hester Drive  
White House, TN 37188  
Téléphone: (615) 672-0321  
Fax: (615) 672-0801

ou

**Ventes internationales Ingersoll-Rand**  
**Douai Opérations**  
111, avenue Roger Salengro  
59450 Sin Le Noble, France  
Téléphone: (33) 3-27-93-08-08  
Fax: (33) 3-27-93-08-00

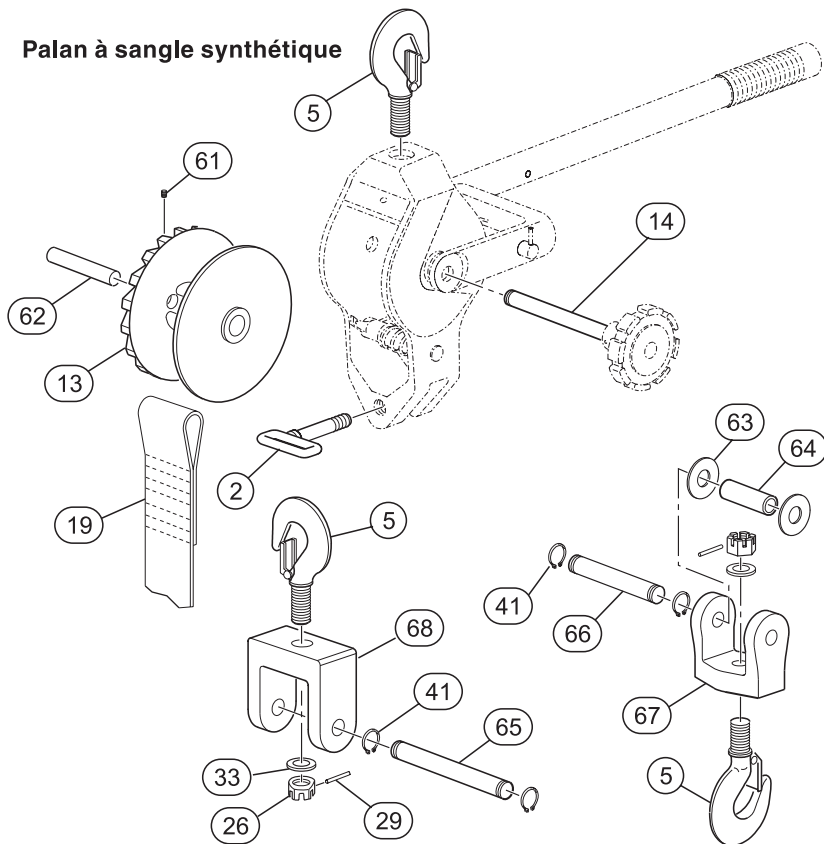
# SCHÉMA DES PIÈCES DU PALAN DE SÉRIE C

## Palan à câble métallique



(Schéma MHP0164F)

## Palan à sangle synthétique



(Schéma MHP1877F)



## LISTE DES PIÈCES DU PALAN DE SÉRIE C

RÉF.	DESCRIPTION DE LA PIÈCE	QTÉ TOTALE	NUMÉRO DE STOCK	
			Sangle	Câble métallique
1	Cadre	1	Commander un palan	
2	Guide-câble métallique ou guide-sangle	1	71487425	4744
3	Roulement	2	115A	
4	Broche de ressort	1	4288-5	
5	Crochet	1	Commander l'article 51	
6	Toc de maintien	1	47	
7	Axe du toc de maintien	1	4278	
• 8	Ressort du toc de maintien	1	4280	
9	Cadre en U	1	Commander l'article 47	
10	Toc d'entraînement	1	46	
11	Axe du toc d'entraînement	1	30	
• 12	Ressort du toc d'entraînement	1	55	
13	Tambour	1	71487433	71
14	Arbre du tambour	1	71487466	29
15	Bouton	1	51	
16	Poulie	1	---	Commander l'article 46
17	Assemblage du crochet	1	---	
18	Axe	1	---	
• 19	Câble métallique modèle C225H	1	---	3156-1
	Câble métallique modèle C300H			3156-2
	Câble métallique modèle C400H			3156-3
	Sangle synthétique modèle C400S		71487516	---
20	Garant pour câble métallique	1	Commander le garant article 52	
21	Poignée (comprend les articles 21, 22, 34 et 48)	1	62	
	Poignée (optionnelle) plaquée acier, zinc (comprend les articles 21, 22, 34 et 48)		62-S	
22	Ressort de poignée	1	56	
23	Vis	1	---	52642
24	Vis de blocage	1	---	52643
25	Broche	1	Commander l'article 52	
26	Écrou	1	Commander l'article 51	
27	Goupille du toc d'entraînement	1	8000-27	
28	Levier sélecteur	1	8000-28	
29	Broche de retenue	2	8000-29	
31	Goupille fendue	1	8000-31	
32	Bague de retenue	2	8000-32	
33	Rondelle de butée	1	Commander l'article 51	
34	Garniture de poignée	1	51845	
35	Ressort de toc de maintien	1	4282	
• 36	Goupille de retenue	1	8000-36	
37	Bague d'espacement du toc de maintien	1	4332	
38	Bague de retenue	1	52641	
39	Bague d'espacement	1	4745	
40	Écrou	1	50176	
41	Bague de retenue	voir ( )	8000-41 (5)	8000-41 (1)
•	Pièce détachée recommandée			

## LISTE DES PIÈCES DU PALAN DE SÉRIE C

RÉF.	DESCRIPTION DE LA PIÈCE	QTÉ TOTALE	NUMÉRO DE STOCK	
			Sangle	Câble métallique
42	Linguet de crochet	1	Commander l'article 54	
43	Ressort du linguet	1		
44	Rivet du linguet	1		
45	Goupille fendue	1	---	8000-45
48	Étiquette du modèle C225H	1	---	71106348
	Étiquette du modèle C300H			71106355
	Étiquette du modèle C400H			71106330
	Étiquette du modèle C400S		71487276	---
56	Étiquette de mise en garde	1	71106371	
58	Étiquette de mise en garde	1	71106363	
59	Étiquette de la poignée	1	71106389	
60	Lubrifiant (optionnel)	En fction bes.	LUBRI-LINK-GREEN®	
61	Vis d'arrêt de la goupille d'ancrage de la sangle	1	71487458	---
62	Goupille d'ancrage de la sangle	1	71487441	
63	Rondelle	2	71487508	
64	Rouleau du crochet de la poulie	1	71487490	
65	Rouleau du crochet de la poulie	1	71487532	
66	Axe du crochet de la poulie	2	71487482	
67	Cadre du crochet de la poulie	1	71487474	
68	Cadre du crochet inférieur	1	71487524	

### Assemblages

RÉF.	DESCRIPTION DE LA PIÈCE	NUMÉRO DE STOCK	
		Sangle	Câble métallique
• 46	Assemblage de la poulie (compr. articles 16 à 18 et 45)	2911-SLH	
47	Assemblage du cadre en U (compr. articles 9 à 12, 27, 28 et 32)	294	
51	Assemblage du crochet (compr. articles 5, 26, 29, 33 et 42 à 44)	58-SLH	
52	Assemblage du garant (compr. articles 20, 25, 31 et 38)	4425	
• 54	Assemblage du linguet (compr. articles 42, 43 et 44)	7328-A	
•	Pièce détachée recommandée		

## Garantie limitée

La société **Ingersoll-Rand (I-R)** garantit à l'utilisateur d'origine, pendant un an à dater de la date d'achat, que son produit est exempt de tout défaut de matériau ou de main-d'oeuvre. **I-R** réparera gratuitement tout produit qui s'avère défectueux, pièces et frais de main-d'oeuvre compris, ou, à son gré, remplacera un tel produit ou, en échange de celui-ci, remboursera son prix d'achat moyennant une déduction raisonnable représentative de sa dépréciation. Toutes réparations ou pièces de rechange sont garanties pour le reste de la période de garantie d'origine.

Si un produit s'avère défectueux durant sa période de garantie d'un an originale, il convient de le renvoyer à un distributeur agréé par le service de manutention de matériel **I-R**, tous frais de transport prépayés, accompagné de la preuve d'achat ou du bon de garantie.

Cette garantie ne concerne pas les produits dont **I-R** détermine qu'ils ont été utilisés incorrectement ou de façon abusive par l'utilisateur, ou lorsque la panne ou le problème peut être attribué à l'utilisation de pièces de rechange autres que des pièces **I-R**.

**I-R ne donne aucune autre garantie, et toute garantie implicite, y compris celle de qualité marchande ou d'adaptation à un usage particulier du produit, est limitée à la durée de la garantie expresse indiquée ci-avant. La responsabilité civile maximum d'I-R se limite au prix d'achat du produit et en aucun cas I-R ne sera-t-elle tenue responsable de dommages indirects, accessoires ou particuliers de quelque nature que ce soit résultant de la vente ou de l'usage du produit, que ce soit dans le cadre d'un contrat ou d'un litige ou autre.**

**Remarque:** Certains états n'autorisent pas que soient établies des limites concernant les dommages indirects ou accessoires ou la durée de la garantie implicite, et les limites ci-dessus peuvent ne pas s'appliquer à votre cas.

Cette garantie vous donne des droits spécifiques et vous pouvez également jouir d'autres droits qui peuvent varier d'un état à l'autre.

## Avis important

Nous avons pour politique de prendre toutes les précautions nécessaires pour assurer la livraison sans dommages de toutes les commandes. Ce matériel a été complètement vérifié, emballé et inspecté avant son expédition de notre usine et le transporteur a fourni un document attestant de son bon état. Toute perte ou dommage qui survient en cours de transport n'est dû à aucune action ou conduite du fabricant.

### Perte ou dommage visible

En cas de dommages ou de manquants dans la marchandise indiquée sur la lettre de transport ou le récépissé de messagerie, ne pas l'accepter avant que le livreur de la société de transport ou de la messagerie exprès le note sur le bordereau de livraison ou sur le reçu de messagerie.

### Perte ou dommage invisible

Si la marchandise livrée semble en bon état mais qu'à l'ouverture de l'emballage, il apparaît que des dommages ou des pertes ont eu lieu pendant le transport, notifier immédiatement l'agent du transporteur.

### Réclamations pour dommages

Faire des réclamations pour dommages auprès du transporteur. La responsabilité incombe au transporteur de rembourser tout remplacement ou réparation de marchandise endommagée en cours de transport. Toute réclamation pour perte ou dommages ne devra pas faire l'objet d'une déduction sur la facture **Ingersoll-Rand** et le paiement à **Ingersoll-Rand** ne devra pas être différé dans l'attente du règlement d'une telle réclamation, le transporteur garantissant la livraison du produit.

Tout produit endommagé en cours de livraison peut être retourné pour réparation. Les réparations seront effectuées au nom de votre compte et serviront à justifier les réclamations faites au transporteur.

## United States Office Locations

### For Order Entry, Order Status and Technical Support

Recepción de pedidos,  
situación de pedidos y  
soporte técnico:

Passage de commandes,  
état des commandes et  
assistance technique

**Ingersoll-Rand  
Distribution Center**  
P.O. Box 618  
510 Hester Drive  
White House, TN 37188  
Phone: (615) 672-0321  
Fax: (615) 672-0801

**Web Site:**  
www.irco.com

### Regional Sales Offices

#### Delegaciones regionales de ventas

#### Agences commerciales régionales

**Chicago, IL**  
888 Industrial Drive  
Elmhurst, IL 60126  
Phone: (630) 530-3873  
Fax: (630) 530-3891

**Detroit, MI**  
1872 Enterprise Drive  
Rochester Hills, MI 48309  
Phone: (248) 293-5700  
Fax: (248) 293-5800

**Houston, TX**  
450 Gears Road  
Suite 210  
Houston, TX 77067-4516  
Phone: (281) 872-6800  
Fax: (281) 872-6807

**Los Angeles, CA**  
13107 Lakeland Rd.  
Santa Fe Springs, CA 90670  
Phone: (562) 777-0808  
Fax: (562) 777-0818

**Philadelphia, PA**  
P.O. Box 425  
900 E. 8th Ave., Suite 103  
King of Prussia, PA 19406  
Phone: (610) 337-5930  
Fax: (610) 337-5912

## International Office Locations

Offices and distributors in  
principal cities throughout the  
world. Contact the nearest  
**Ingersoll-Rand** office for the  
name and address of the  
distributor in your country or  
write/fax to:

Oficinas y distribuidores en las  
principales ciudades del mundo.  
Póngase en contacto con su oficina  
de **Ingersoll-Rand** más próxima  
para que le informen del nombre y  
la dirección del distribuidor en su  
país o bien escriba o envíe una  
carta por fax a:

Bureaux et Distributeurs dans les  
grandes villes à travers le monde.  
Contacter le bureau  
**Ingersoll-Rand** le plus proche  
pour obtenir le nom et l'adresse du  
Distributeur dans votre pays ou  
écrire/envoyer une télécopie à:

**Canada**  
**National Sales Office**  
**Regional Warehouse**  
**Toronto, Ontario**  
51 Worcester Road  
Rexdale, Ontario  
M9W 4K2  
Phone: (416) 213-4500  
Fax: (416) 213-4510  
**Order Desk**  
Fax: (416) 213-4506

**Regional Sales Offices**  
**Edmonton, Alberta**  
9720 - 54th Avenue  
Edmonton, Alberta  
T6E 0A9  
Phone: (780) 438-5039  
Fax: (780) 439-7382

**Montreal, Quebec**  
3501 St. Charles Blvd.  
Suite 104  
Kirkland, Quebec  
H9H 4S3  
Phone: (514) 695-9040  
Fax: (514) 695-0963

**British Columbia**  
1200 Cliveden Avenue  
Delta, B.C.  
V3M 6G4  
Phone: (604) 523-0803  
Fax: (604) 523-0801

**Latin America Operations**  
**Ingersoll-Rand**  
**Production Equipment Group**  
730 N.W. 107 Avenue, Suite 300  
Miami, FL 33172-3107 USA  
Phone: (305) 559-0500  
Fax: (305) 559-7505

**Europe, Middle East and  
Africa**  
**Ingersoll-Rand**  
**Douai Operations**  
111, avenue Roger Salengro  
59450 Sin Le Noble, France  
Phone: (33) 3-27-93-08-08  
Fax: (33) 3-27-93-08-00

**Asia Pacific Operations**  
**Ingersoll-Rand Asia Pacific Inc.**  
23/F, 625 King's Road  
North Point, Hong Kong  
Phone: (852) 2527 0183  
Fax: (852) 2529 5976

**Russia**  
**Ingersoll-Rand**  
Kuznetsky Most 21/5  
Entrance 3  
Moscow 103895 Russia  
Phone: 7-501-923-91-34  
Fax: 7-501-924-46-25

**Australia**  
**Ingersoll-Rand Aust**  
1 Hartnett Drive  
Seaford, Vic 3198  
Australia  
Phone: 613 95541642  
Fax: 613 95541607